

Enquiry@alqemagroup.net



**AL-QEMAGROUP**



## **CATALOGUE**

**LPG and Natural Gas Equipment**

104, 1st Floor, Dubai Industrial City ,  
Building# 3 P.O. Box 252247, Dubai .

Tel: +971 (4) 3611 084

M: +971 55 912 2494

[www.alqemagroup.net](http://www.alqemagroup.net)

[Enquiry@alqemagroup.net](mailto:Enquiry@alqemagroup.net)



## INDEX

### PRODUCTS

<b>Ball Valves.....Pages 1 to 14</b>	<b>SECTION</b>	<b>A</b>
<b>Soleniod Valves.....Pages 15 to 21</b>	<b>SECTION</b>	<b>B</b>
<b>Regulators.....Pages 22 to 75</b>	<b>SECTION</b>	<b>C</b>
<b>Gas Meters.....Pages 76 to 108</b>	<b>SECTION</b>	<b>D</b>
<b>Gas detection panel.....Pages 109 to 115</b>	<b>SECTION</b>	<b>E</b>
<b>Gas sensor.....Pages 116 to 122</b>	<b>SECTION</b>	<b>F</b>
<b>Gas detector.....Pages 123 to 131</b>	<b>SECTION</b>	<b>G</b>
<b>LPG tank &amp; Truck equipment.....Pages 132 to 145</b>	<b>SECTION</b>	<b>H</b>
<b>Fittings and Equipment.....Pages 146 to 152</b>	<b>SECTION</b>	<b>I</b>
<b>Copper fittings &amp; pipe.....Pages 153 to 164</b>	<b>SECTION</b>	<b>J</b>
<b>Pipe support.....Pages 165 to 171</b>	<b>SECTION</b>	<b>K</b>



ALQEMAGROUP

[www.alqemagroup.net](http://www.alqemagroup.net)

## BALL VALVES

# Section A



**BALL VALVES**

Cod.	Ø	DN	Packing
------	---	----	---------

**ART. 7164 F/F 5 - FULL BORE**

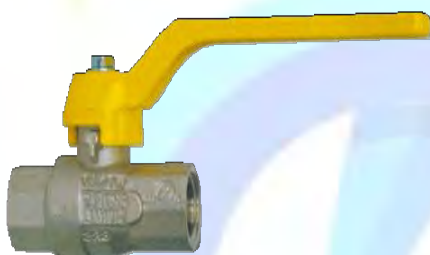
077164000002	1/4"	10	30
077164000003	3/8"	10	30
077164000004	1/2"	15	10
077164000005	3/4"	20	10
077164000007	1"	25	10

## SEALABLE ALUMINIUM BUTTERFLY HANDLE

**ART. 7224 M/F PASSAGGIO TOTALE MOP 5 - FULL BORE**

077224000002	1/4"	10	30
077224000003	3/8"	10	30
077224000004	1/2"	15	10
077224000005	3/4"	20	10
077224000007	1"	25	10

## SEALABLE ALUMINIUM BUTTERFLY HANDLE

**ART. 7160 F/F - FULL BORE**

077160000002	1/4"	10	30
077160000003	3/8"	10	30
077160000004	1/2"	15	10
077160000005	3/4"	20	10
077160000007	1"	25	10
077160000008	1"1/4	32	6
077160000009	1"1/2	40	4
077160000011	2"	50	4
077160000013	2"1/2	65	1
077160000014	3"	80	1
077160000016	4"	100	1

## SEALABLE ALUMINIUM LEVER HANDLE

**ART. 7220 M/F - FULL BORE**

077220000003	3/8"	10	30
077220000004	1/2"	15	10
077220000005	3/4"	20	10
077220000007	1"	25	10
077220000008	1"1/4	32	6
077220000009	1"1/2	40	4
077220000011	2"	50	4
077220000013	2"1/2	65	1
077220000014	3"	80	1
077220000016	4"	100	1



# BALL VALVES

## SEALABLE ALUMINIUM LEVER HANDLE

Cod.	Ø	DN	Packing
------	---	----	---------

### ART. 7163 F/F - FULL BORE



077163000002	1/4"	10	30
077163000003	3/8"	10	30
077163000004	1/2"	15	10
077163000005	3/4"	20	10
077163000007	1"	25	10
077163000008	1"1/4	32	6
077163000009	1"1/2	40	4
077163000011	2"	50	4

### HANDLE WITH STEEL LEVER

### ART. 7167 F/F - FULL BORE



077167000005	3/4"	20	10
077167000007	1"	25	10
077167000008	1"1/4	32	6
077167000009	1"1/2	40	4
077167000011	2"	50	4
077167000013	2"1/2	65	1
077167000014	3"	80	1

### LOCKABLE BRASS CAP AND SEALABLE PLASTIC COVERCAP

### ART. 7227 M/F - FULL BORE



077227000005	3/4"	20	10
077227000007	1"	25	10
077227000008	1"1/4	32	6
077227000009	1"1/2	40	4
077227000011	2"	50	4
077227000013	2"1/2	65	1
077227000014	3"	80	1



ALQEMAGROUP

[www.alqemagroup.net](http://www.alqemagroup.net)

## WAFER BALL VALVES WITH FLAT BODY

A



ACCORDING TO PED DIRECTIVE

**-40 °C**



Body ASTM A 350 LF2 zincked

Ball in AISI 316  
full bore wafer type  
- 40 + 90 °C

Cod.	Misura/Dimension	PN
BRPA040015261	DN 15 1/2"	40
BRPA040020261	DN 20 3/4"	40
BRPA040025261	DN 25 1"	40
BRPA040032261	DN 32 1"¼	40
BRPA040040261	DN 40 1"½	40
BRPA040050261	DN 50 2"	40
BRPA040065261	DN 65 2"½	16
BRPA040080261	DN 80 3"	16
BRPA040100261	DN 100 4"	16
BRPA040125261	DN 125 5"	16
BRPA040150261	DN 150 6"	16

on request:

- ANSI 150
- PN 40 da 2"1/2 a 6" / PN 40 from 2"1/2 to 6"

## PN63 VALVES




Cod.	Misura/Dimension	PN
PMM063007261	1/4" - 3/8"	63
PMM063015261	1/2"	63
PMM063020261	3/4"	63
PMM063025261	1"	63
PMM063032261	1"1/4	63
PMM063040261	1"1/2	63
PMM063050261	2"	63
PMM063065261	2"1/2	40
PMM063080261	3"	40



**BWV001**


**1PC Ball Valve 1000WOG**



- 1)Material:CF8/304,CF8M/316,WCB
- 2)Sizes: 1/4" - 4"
- 3)Ends:BSP/BSPT/NPT/PT
- 4)Reduce Port

**BWV002**

**Hexagon 1PC Ball Valve 2000WOG**



- 1)Material:F304/F316/A105
- 2)Sizes: 1/4" - 4"
- 3)Ends:BSP/BSPT/NPT/PT
- 4)Reduce Port

**BWV003**

**Mini Ball Valves PN63**



- 1)Material:CF8/304,CF8M/316
- 2)Sizes: 1/4" - 1"
- 3)Ends:BSP/BSPT/NPT/PT
- 4)Reduce Port

**BWV004**


**Butterfly Handle Ball Valves**



- 1)Material:CF8/304,CF8M/316,WCB
- 2)Sizes: 1/4" - 2"
- 3)Ends:BSP/BSPT/NPT/PT

**BWV005**


**2PC Ball Valve 1000WOG**



- 1)Material:CF8/304,CF8M/316,WCB
- 2)Sizes: 1/4" - 4"
- 3)Ends:BSP/BSPT/NPT/PT
- 4)Full Port

**BWV006**


**2PC Ball Valve PN63 DIN3202-M3**



- 1)Material:1.4308/304,1.4408/316 WCB
- 2)Sizes: 1/4" - 4", DN8-DN100
- 3)Ends:BSP/BSPT
- 4)Full Port

**BWV007**


**2PC Ball Valve F/M Threaded**



- 1)Material:CF8/304,CF8M/316,WCB
- 2)Sizes: 1/4" - 2"
- 3)Ends:BSP/BSPT/NPT/PT
- 4)Full Port

**BWV008**

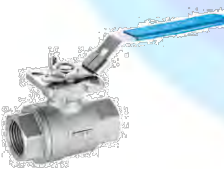
**2PC Ball Valve 2000WOG**



- 1)Material:CF8/304,CF8M/316,WCB
- 2)Sizes: 1/4" - 2"
- 3)Ends:BSP/BSPT/NPT/PT
- 4)Full Port

**BWV009**

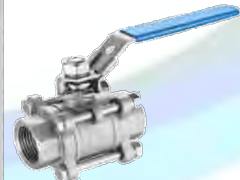
**2PC Ball Valve 1000WOG ISO5211 Direct Mounting Pad**



- 1)Material:CF8/304,CF8M/316,WCB
- 2)Sizes: 1/4" - 4"
- 3)Ends:BSP/BSPT/NPT/PT
- 4)Full Port

**BWV010**

**3PC Ball Valve 1000WOG**



- 1)Material:CF8/304,CF8M/316,WCB
- 2)Sizes: 1/4" - 4"
- 3)Ends:BSP/BSPT/NPT/PT
- 4)Full Port



# ALQEMAGROUP

A

**BWV011**


**3PC Ball Valves 1000WOG  
Long Welding Ends**



- 1)Material:CF8/304,CF8M/316,WCB
- 2)Sizes: 1/4" - 4"
- 3)Ends:Long Welding Ends
- 4)Full Port

**BWV012**


**3PC Ball Valves 1000WOG**



- 1)Material:CF8/304,CF8M/316,WCB
- 2)Sizes: 1/4" - 4"
- 3)Ends:Clamped/BW/SW
- 4)Full Port

**BWV013**


**3PC Ball Valves 1000WOG  
ISO5211 Direct Mounting Pad**



- 1)Material:CF8/304,CF8M/316,WCB
- 2)Sizes: 1/4" - 4"
- 3)Ends:BSP/BSPT/NPT/PT/SW/BW
- 4)Full Port

**BWV014**


**3PC Ball Valves 2000WOG**



- 1)Material:CF8/304,CF8M/316,WCB
- 2)Sizes: 1/4" - 2"
- 3)Ends:BSP/BSPT/NPT/PT/SW/BW
- 4)Full Port

**BWV015**

**3 Way Ball Valves 1000WOG**



- 1)Material:CF8/304,CF8M/316
- 2)Sizes: 1/4" - 4"
- 3)Ends:BSP/BSPT/NPT/PT
- 4)Reduce Port

**BWV016**

**3 Way Ball Valves 1000WOG  
ISO5211 Direct Mounting Pad**



- 1)Material:CF8/304,CF8M/316
- 2)Sizes: 1/4" - 4"
- 3)Ends:BSP/BSPT/NPT/PT
- 4)Reduce Port

**BWV017**


**2PC Ball Valves Flanged Ends**



- 1)Class: ANSI 150LB/JIS 10K
- 2)Material: CF8/SCS13  
CF8M/SCS14, WCB
- 3)Sizes: 1/2" - 4",15A- 100A
- 4)Full Port

**BWV018**


**2PC Ball Valves Flanged Ends  
ISO5211 Direct Mounting Pad**



- 1)Class: ANSI 150LB/JIS 10K
- 2)Material: CF8/SCS13  
CF8M/SCS14, WCB
- 3)Sizes: 1/2" - 4",15A- 100A
- 4)Full Port

**BWV019**

**2PC Ball Valves Flanged Ends  
ISO5211 Direct Mounting Pad**



- 1)Class: DIN PN16- PN40
- 2)Material: 1.4308/304,1.4408/316
- 3)Sizes: DN15- DN100
- 4)Full Port

**BWV020**

**Flanged Ball Valve Gear Operated**



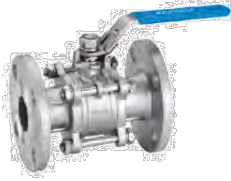
- 1)Class: ANSI 150LB-300LB  
JIS 10K-20K
- 2)Material: CF8/SCS13,  
CF8M/SCS14, WCB
- 3)Sizes: 1/2" - 16",15A- 400A
- 4)Full Port





**BWV021**

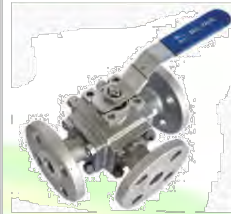
**3PC Ball Valve Flanged Ends**



- 1)Class: ANSI 150LB/JIS 10K  
DIN PN16
- 2)Material: CF8/SCS13/1.4308,  
CF8M/SCS14/1.4408
- 3)Sizes: 1/2" - 4",15A- 100A
- 4)Full Port

**BWV022**

**3 Way Ball Valve Flanged Ends**



- 1)Class: ANSI 150LB/JIS 10K  
DIN PN16
- 2)Material: CF8/SCS13/1.4308,  
CF8M/SCS14/1.4408
- 3)Sizes: 1/2" - 5",15A- 125A
- 4)Full Port

**BWV023**

**Gate Valve 200WOG**



- 1)Material:CF8/304,CF8M/316
- 2)Sizes: 1/4" - 4"
- 3)Ends:BSP/BSPT/NPT/PT
- 4)Full Port

**BWV024**

**Globe Valve 200WOG**



- 1)Material:CF8/304,CF8M/316
- 2)Sizes: 1/4" - 4"
- 3)Ends:BSP/BSPT/NPT/PT
- 4)Full Port

**BWV025**

**Swing Check Valve 200WOG**



- 1)Material:CF8/304,CF8M/316
- 2)Sizes: 1/2" - 4"
- 3)Ends:BSP/BSPT/NPT/PT
- 4)Full Port

**BWV026**

**Y-type Strainer 800WOG**



- 1)Material:CF8/304,CF8M/316
- 2)Sizes: 1/4" - 4"
- 3)Ends:BSP/BSPT/NPT/PT
- 4)Full Port

**BWV027**

**Vertical Check Valve 1000WOG**



- 1)Material:CF8/304,CF8M/316
- 2)Sizes: 1/4" - 4"
- 3)Ends:BSP/BSPT/NPT/PT
- 4)Metal Seal/Soft Seal

**BWV028**

**Dual Plate Wafer Check Valve**



- 1)Class: ANSI 150LB/JIS 10K
- 2)Material: CF8/SCS13,CF8M/SCS14
- 3)Sizes: 1/2" - 12",15A- 300A
- 4)Metal Seal/Soft Seal

**BWV029**

**Spring Wafer Check Valve PN16**



- 1)Class: DIN PN16
- 2)Material: 1.4308/304,1.4408/316
- 3)Sizes: 1/2" - 4",DN15 -DN100
- 4)Metal Seal

**BWV030**

**Single Door Wafer Check Valve**



- 1)Class: ANSI 150LB/DIN PN16
- 2)Material:304/1.4308,316/1.4408
- 3)Sizes: 2" - 12",DN50- DN300
- 4)Metal Seal/Soft Seal



**END ENTRY (MONOBLOC) S 800 THREADED BALL VALVES**



ACCORDINIG TO PED DIRECTIVE



Body ASTM A105  
Ball in AISI 304  
full bore  
GAS threaded  
- 20 + 160 °C

**on request:**

- ball in AISI 316
- threaded NPT - SW
- S 3000 (210 bar)

Cod.	Dimension	PN
PMA064007261	1/4"	64
PMA064015261	1/2"	64
PMA064020261	3/4"	64
PMA064025261	1"	64
PMA064032261	1"1/4	64
PMA064040261	1"1/2	64
PMA064050261	2"	64
PMA064065261	2"1/2	40
PMA064080261	3"	40
PMA064100261	4"	40

**THREE PIECES BOLTED BALL VALVES S 800**



ACCORDINIG TO PED DIRECTIVE



Body ASTM A105  
Ball in AISI 304 full bore  
GAS threaded  
- 20 + 160 °C

**On request**

- ball in AISI 316
- threaded
- S 3000 (210 bar)

Cod.	Dimension	PN
PFA064007261	1/4"	64
PFA064015261	1/2"	64
PFA064020261	3/4"	64
PFA064025261	1"	64
PFA064032261	1"1/4	64
PFA064040261	1"1/2	64
PFA064050261	2"	64
PFA064065261	2"1/2	40
PFA064080261	3"	40
PFA064100261	4"	40



ALQEMAGROUP

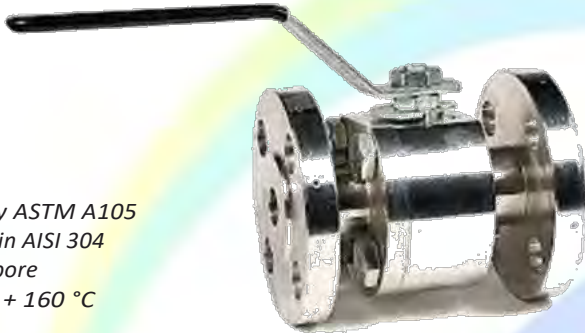
[www.alqemagroup.net](http://www.alqemagroup.net)

A

### SPLIT BODY BOLTED FLANGED



According to PED directive



Body ASTM A105  
Ball in AISI 304  
full bore  
- 20 + 160 °C

**On request:**

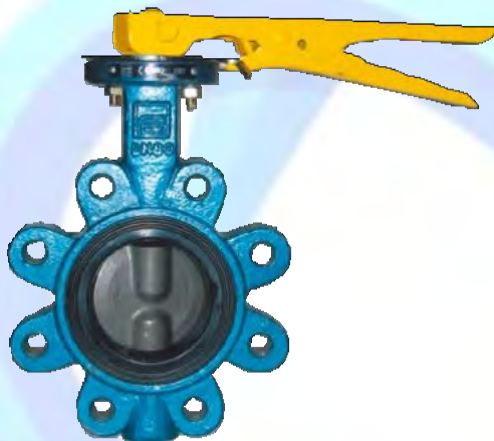
- ANSI 150-300-600
- sfera/ball in AISI 316
- PN 40 da 2"1/2 a 6" / PN 40 from 2"1/2 to 6"

Cod.	Dimension	PN
PSA040015261	DN 15 1/2"	40
PSA040020261	DN 20 3/4"	40
PSA040025261	DN 25 1"	40
PSA040032261	DN 32 1"1/4"	40
PSA040040261	DN 40 1"1/2"	40
PSA040050261	DN 50 2"	40
PSA040065261	DN 65 2"1/2"	16
PSA040080261	DN 80 3"	16
PSA040100261	DN 100 4"	16
PSA040125261	DN 125 5"	16
PSA040150261	DN 150 6"	16

### GAS BUTTERFLY VALVES



According to PED directive



Cod.	Dimension	PN
B402YG08	40 1"1/2"	16
B402YG09	50 2"	16
B402YG10	65 2"1/2"	16
B402YG11	80 3"	16
B402YG12	100 4"	16
B402YG13	125 5"	16
B402YG14	150 6"	16



## Flanged ductile iron ball valve

A





Series B2.1 valves are shut-off ball valves split-body type in ductile iron and floating ball, manufactured according to the severe product standards and the quality management relative to ISO 9001.

Suitable for heating and conditioning (HVAC), district heating, distribution and treatment of water, industrial application, agricultural application, for compressed air processing, for oils and hydrocarbon.

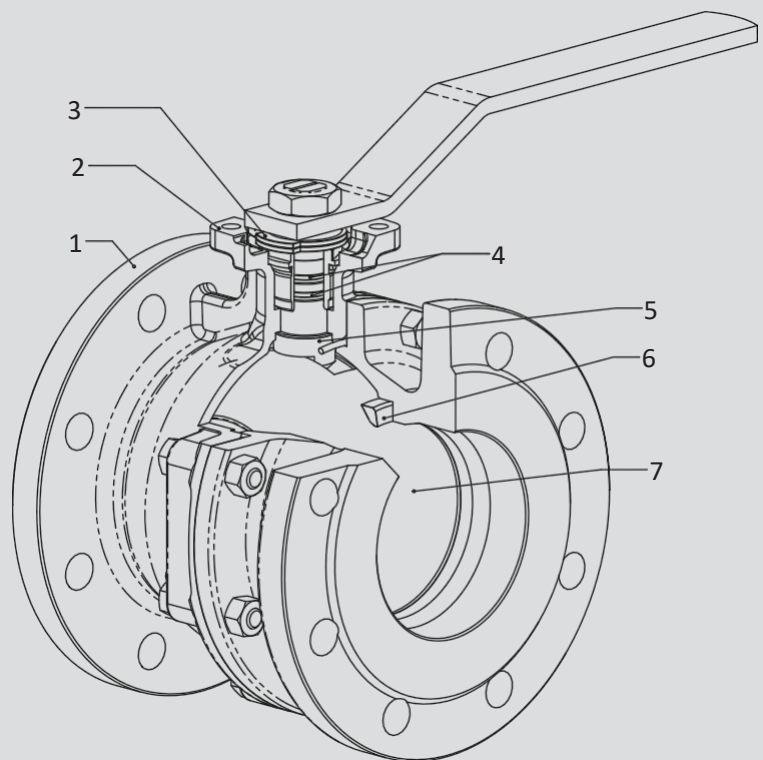
*(Please ensure the choice of the corresponding item)*

**YES:** for installation in line and end of line, for services with frequent acting, the integrated ISO 5211 support allows the installation of a wide range of actuators.

The B2.1 range of ball valves are full and straight bore reducing turbulences and minimizing head loss.

**NO:** for steam, for choking and flow regulation.

1. Inside and outside epoxy coating, high temperature resistant. Environmentally friendly, water-based paint.
2. Integrated flange, in accordance with ISO 5211.
3. Removing and repositioning of the plate at 90° allows locking of the valve in ON-OFF position.
4. The dynamic seal of the stem is guaranteed by a double O-ring, even in severe working conditions.
5. Blow-out proof stem.
6. Seat of ball in reinforced PTFE, as temperature changes, the torque remains constant.
7. Ball with full and straight bore, in chromed brass or stainless steel.



**Accessories**

- ➔ Stem extension for thermal insulation
- ➔ Square cap for water main system connection
- ➔ Stem extension
- ➔ Kit ISO 5211 flange
- ➔ Kit lockable operation lever
- ➔ Kit limit switches for ON/OFF position indicator

**Actuators**

- ➔ double acting and single acting pneumatic actuators On request: limit switches, position indicator
- ➔ Electric actuators
- ➔ Gear box

**Special items**



In conformity with directive 97/23/CE PED



Conformity to EN 13774 norms, DVGW certification for gas

**Construction and testing norms** (correspondences): Face-to-face:

- EN558/1 (ISO 5752)
- Flanges: EN1092, ANSI B16.5#150
- design: EN 1983, EN13445, ISO 5211
- Marking: EN19
- Testing: 100% testing in accordance with EN 12266 cat. A (ISO 5208 cat. A)



## Flanged ductile iron ball valve

### Materials:

	Component	Material
1	Body	EN GJS 400-15 / EN GJL250*, epoxy coated
2	Flange	EN GJS 400-15 / EN GJL250*, epoxy coated
3	Ball	BrassCuZn40Pb2chromeplated/AISI304/AISI316/ENGL250**
4	Ball seat	Reinforced PTFE
5	Stem	Brass CuZn40Pb2 / AISI 304 / AISI 316
6	Sliding washer	PTFE
7	Ring	Brass CuZn40Pb2 / AISI 304 / AISI 316
8	O-Ring	NBR /FKM (Viton®)
9	Lever	Carbon steel, epoxy coated
10	Stop plate	Galvanized carbon steel
11	Spring washer	Galvanized carbon steel
12	Lever hub	EN GJS 400-15
13	Lever stop	Galvanized carbon steel
14	Anti-blow-out ring	AISI 302
15	Mountingpadforgearbox	EN GJS 400-15 / EN GJL 250
16	Gear box	-
17	Bolts	Galvanized carbon steel

### Dimensions (mm)

DN		15	20	25	32	40	50	65	80	100	125	150	200	250***
P		15	20	25	32	40	50	63	76	95	120	145	190	240
A (B2.1)	EN558/1-14(exDIN3202F4)	115	120	125	130	140	150	170	180	190	200	210	-	-
A (B2.0)	EN558/1-14(exDIN3202F5)	-	-	-	-	-	-	-	-	-	-	-	400	450
A (F2.1)	EN558/1-29(exNF29-323)	-	-	-	-	136	142	154	160	172	186	200	-	-
H		84	84	96	101	125	135	143	165	180	225	243	320	448
H1		50,5	52	59	64	78,5	87	95	118	132,5	165	182,5	230	335
B		160	160	170	170	230	230	230	280	360	450	560	1000	101
C	EN1092/2 PN 16	95	105	115	140	150	165	185	200	220	250	285	340	405
C1		-	-	-	-	-	-	-	-	-	-	-	-	490
V		-	-	-	-	-	-	-	-	-	-	-	-	500
T		-	-	-	-	-	-	-	-	-	-	-	-	284
ISO5211		F04	F04	F04	F04	F05	F05	F05	F07	F07	F10	F10	F12	12
J		42	42	42	42	50	50	50	70	70	102	102	125	125
n° x Ø q		4 x 6	4 x 6	4 x 6	4 x 6	4 x 7	4 x 7	4 x 7	4 x 9	4 x 9	4 x 11	4 x 11	4 x 13	4 x 13
E		11,5	11,5	14,5	14,5	17,5	17,5	17,5	20	20	24,5	24,5	27	92
S		□ 9	□ 9	□ 11	□ 11	□ 14	□ 14	□ 14	□ 17	□ 17	□ 22	□ 22	□ 27	Ø 45

### Weight (kg)

B2.100	2,6	3,3	4,2	5,8	7,5	9	10,5	15,5	18,5	28	38,5	93	180
B2.111 - B2.122	2,6	3,3	4,2	5,8	7,8	9,7	12,2	16,7	22,2	35,8	46,6	117	180

## Operating torque (Nm)

Nm	15	15	18	18	18	20	40	70	100	180	250	600	2000
----	----	----	----	----	----	----	----	----	-----	-----	-----	-----	------

N.B.: In order to choose the right actuator, we recommend multiplying the operating torque figure by a safety coefficient, K=1.5

\*\*\*: The diameter DN 250 is supplied with gear box as standard

### Drilling

DN		15	20	25	32	40	50	65	80	100	125	150	200	250
Dimensions of flanges according to PN 16EN1092/2	Drilling PN 16 EN1092/2	std	std	std	std	std	std	std	std	std	std	std	std	std
	Drilling PN 10 EN1092/2	=	=	=	=	=	=	=	=	=	=	=	opt	opt
	Drilling PN 6 EN1092/2	opt	opt	opt	opt	opt	opt	opt	opt	opt	opt	opt	opt	opt
	Drilling PN 25 EN1092/2	=	=	=	=	=	=	=	opt	=	no	no	no	no
	DrillingANSIB16.5#150	opt	opt	opt	opt	opt	opt	opt	opt	opt*	opt	opt	opt	opt

std: standard / opt: option on request / =: same as PN16



**Maximum pressure**

Fluids *	Mounting	
	BETWEEN FLANGES	END OF LINE
Hazardous gases	16 bar dN15-200 10 bar dN250	10 bar dN15-100 <b>NO DN125-250</b>
Hazardous liquids	16 bar dN15-200 10 bar dN250	10 bar
All remaining fluids	16 bar dN15-200 10 bar dN250	10 bar

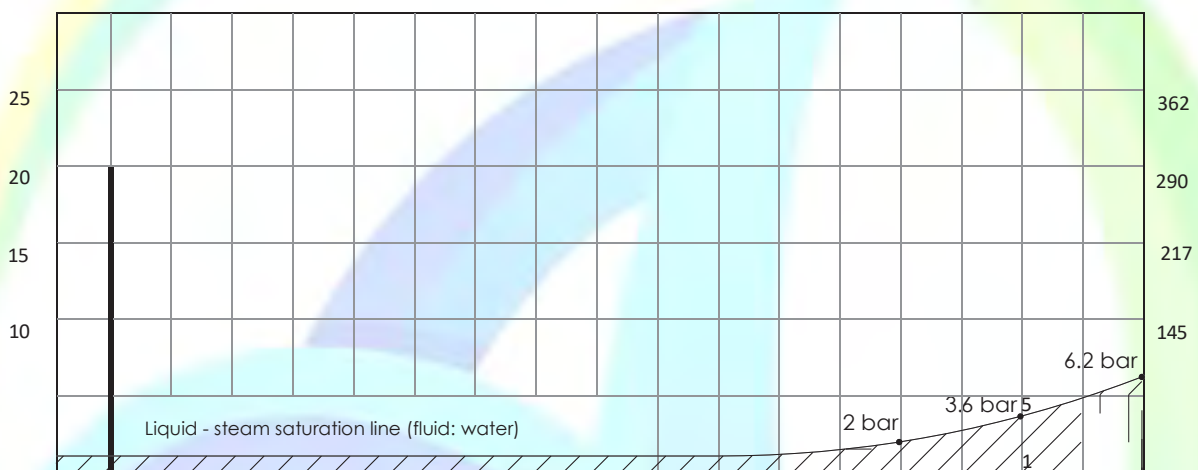
**Temperature**

Temperature	min ° C	Max°C	
		continuous	peak
NBR	-10	100	110
FKM (Viton®)	-10	150	170

NB: the maximum working pressure decreases while temperature increases, please refer to "pressure/temperature" chart

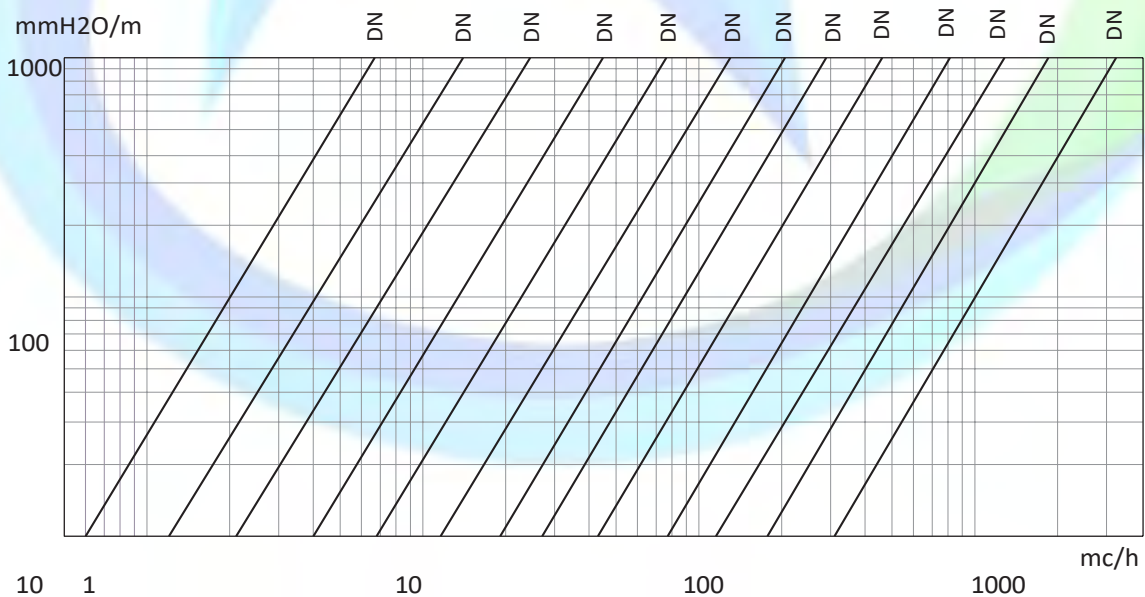
\*: Hazardous gas, liquids (explosive, inflammable, toxic) in accordance with 97/23/CE PED and 67/548/EEC

**Pressure/temperature chart**



**RANGE NOT SUITABLE FOR STEAM.** DO NOT use when temperature and pressure are below the liquid-steam saturation line ( hatched area )

**Head loss Fluid: water (1m H2O = 0,098bar)**





O-Ring: NBR



**b2.100**

Body: EN GJS 400-15  
Ball: Brass CuZn40Pb2  
Stem: Brass CuZn40Pb2  
O-ring: NBR  
Temp: -10 +100°C

**b2.110**

Body: EN GJS 400-15  
Ball: AISI 304  
Stem: Brass CuZn40Pb2  
O-ring: NBR  
Temp: -10 +100°C

**b2.111**

Body: ENGJS400-15  
Ball: AISI 304  
Stem: AISI 304  
O-ring: NBR Temp: -10 +100°C

**b2.121**

Body: ENGJS400-15  
Ball: AISI 316  
Stem: AISI 304  
O-ring: NBR Temp: -10 +100°C

**F2.100**

See: B2.100

**F2.110**

See: B2.110

**F2.111**

See: B2.111

**F2.121**

See: B2.121

Coating: RAL 5002 colour

For Gas



**b2.100 Gas**

Body: EN GJS 400-15  
Ball: Brass CuZn40Pb2  
Stem: Brass CuZn40Pb2  
O-ring: NBR  
Temp: -10 +70°C

**b2.110 Gas**

Body: EN GJS 400-15  
Ball: AISI 304  
Stem: Brass CuZn40Pb2  
O-ring: NBR  
Temp: -10 +70°C

**b2.111 Gas**

Body: ENGJS400-15  
Ball: AISI 304  
Stem: AISI 304  
O-ring: NBR Temp: -10 +70°C

**b2.121 Gas**

Body: ENGJS400-15  
Ball: AISI 316  
Stem: AISI 304  
O-ring: NBR Temp: -10 +70°C

Coating: RAL 5002 colour

O-Ring: FKM



**b2.100 FKM**

Body: EN GJS 400-15  
Ball: Brass CuZn40Pb2  
Stem: Brass CuZn40Pb2  
O-ring: FKM  
Temp: -10 +150°C

**b2.110 FKM**

Body: EN GJS 400-15  
Ball: AISI 304  
Stem: Brass CuZn40Pb2  
O-ring: FKM  
Temp: -10 +150°C

**b2.111 FKM**

Body: ENGJS400-15  
Ball: AISI 304  
Stem: AISI 304  
O-ring: FKM Temp: -10 +150°C

**b2.121 FKM**

Body: ENGJS400-15  
Ball: AISI 316  
Stem: AISI 304  
O-ring: FKM Temp: -10 +150°C

Coating: RAL 5002 colour

\* Most suitable for district heating → for water up to 150 °C





ALQEMAGROUP

[www.alqemagroup.net](http://www.alqemagroup.net)

## Solenoid Valve

# Section B



**AUTOMATIC SOLENOID VALVES**

**NORMALLY CLOSED SOLENOID VALVES TYPE EVO/N.C.**

**STANDARD FEATURES**

- Type N.C. (Normally Closed)
- Voltage / Frequency: 230 V / 50 Hz
- P.max : **200 mbar**
- Version without rectifier



Cod.	Attacco/Connection	Materiale/Material
EVO01009	3/8"	Ottone/Brass
EVO02009	1/2"	Ottone/Brass
EVO03009	3/4"	Ottone/Brass



**ON REQUEST:**

- Version with rectifier
- Voltage and Frequency: 12 Vdc, 12 V/50Hz, 24Vdc, 24V/50 Hz, 110V/50 Hz

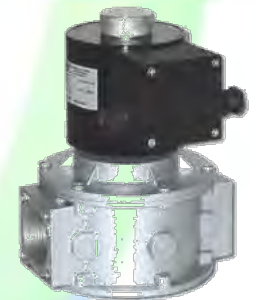
**SOLENOID VALVES TYPE EVP/N.C.**

**STANDARD FEATURES**

- Tipo : N.C. ( Normally Closed )
- Voltage / Frequency : 230 V / 50Hz
- P.max : **360 mbar**



Cod.	Attacco/Connection	Materiale/Material
EVP02008	1/2" Filettato/Threaded	Alluminio/Aluminium
EVP03008	3/4" Filettato/Threaded	Alluminio/Aluminium
EVP04008	1" Filettato/Threaded	Alluminio/Aluminium
EVP05008	1"1/4" Filettato/Threaded	Alluminio/Aluminium
EVP06008	1"1/2" Filettato/Threaded	Alluminio/Aluminium
EVP07008	2" Filettato/Threaded	Alluminio/Aluminium
EVP08008	DN 65 Flangiato UNI/UNI Flanged	Alluminio/Aluminium
EVP09008	DN 80 Flangiato UNI /UNI Flanged	Alluminio/Aluminium
EVP01008	DN 100 Flangiato UNI/UNI Flanged	Alluminio/Aluminium
EVP25008	DN 25 Flangiato UNI/UNI Flanged	Alluminio/Aluminium
EVP32C008	DN 32 Flangiato compact/Compact Flanged	Alluminio/Aluminium
EVP40C008	DN 40 Flangiato compact/Compact Flanged	Alluminio/Aluminium
EVP50C008	DN 50 Flangiato compact/Compact Flanged	Alluminio/Aluminium





## Low Pressure Gas Solenoid Valve

### Features :

- Operate at low pressures, no minimum required, max is 1bar ;
- Direct theory, safety operation ;
- With IP65 coils, another can match anti-explosion coils ;

Media : Gas, Natural Gas, Air and other neutral Air ;

Temperature : NBR-5~80°C Pressure

: 0-1bar



### Electrical :

Power	Class of Insulation	Model of coil			Orifice
AC	DC				
VA	W	W			
11	5	8.5	F	W1101 1	DN5-6
16	9	13	H	D16012	DN10~ 25
30	18	20		D16022	DN35- 50

### Construction :

Valve parts in contact with fluids		
Body	Brass	Aluminum
Seals	NBR	
Core Tube	Sus304	
Core Plugger	1J117	
Core Spring	Sus304	
Shading Coil	Copper	

### Specifications :

Pipe	Orifice	CV	Pressure(bar)				Weight(KG)	Order Number
			AC		DC			
			Air	Water	Air	Water		
1/4"	5	0.65	0-1	0-1	0-1	0-1	0.3	PM05XXX
1/4"	6	0.8	0-0.7	0-0.7	0-0.7	0-0.7	0.3	PM06XXX
1/4"	10	1.8	0-0.7	0-0.7	0-0.7	0-0.7	0.5	PM10XX02X
3/8"	10	1.8	0-0.7	0-0.7	0-0.7	0-0.7	0.5	PM10XX03X
1/2"	10	1.8	0-0.7	0-0.7	0-0.7	0-0.7	0.5	PM10XX04X
1/2"	15	4.6	0-1	0-1	0-1	0-1	0.7	PM15XXX
3/4"	20	8.5	0-1	0-1	0-1	0-1	0.7	PM20XXX
1"	25	12	0-1	0-1	0-1	0-1	1.2	PM25XXX
5/4"	35	26	0-1	0-1	0-1	0-1	2.3	PM35XXX
6/4"	35	26	0-1	0-1	0-1	0-1	2.1	PM40XXX
2"	50	48	0-1	0-1	0-1	0-1	3.0	PM50XXX

In applicable Fluids: 1. Fluid that have kinematic viscosity of over 50 CST; 2. Fluid that will turn to the liquid state after being heated and will become the solid state after being

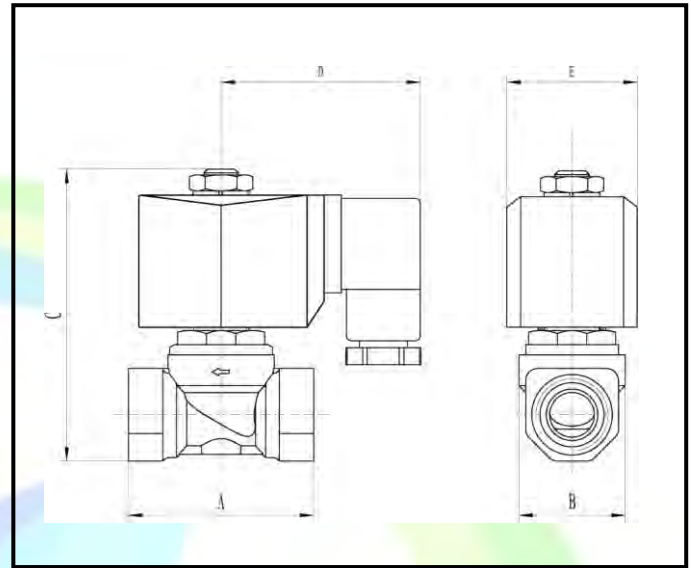


ALQEMAGROUP

[www.alqemagroup.net](http://www.alqemagroup.net)

Dimensions(mm) :

Model	A	B	C	D	E
DN5-6	40	26	66	27	30
DN10	54	31	86	59.5	38
DN15	65	47	93	59.5	38
DN20	72	54	100	59.5	38
DN25	90	70	108	59.5	38
DN35/40	120	90	131	64.5	48
DN50	150	112	146	64.5	48
DN35/40(DC)	120	90	150	65.5	63
DN50(DC)	150	112	165	65.5	63



B

Order Guide :

NO	1	2	3	4	5	6	7	8	9	10	11	12
Spec	Model	Orifice	Type	Seals	Thread Type	Pipe	Voltage	Body	Electrical	Coils	Class of Coils	other
Ex.	PM	10	C	N	G	03	A6	B	D	16011	H	-
	PM: Brass	05=5mm 06=6mm 10=10mm 15=15mm 20=20mm 35=35mm 40=40mm 50=50mm	C: N.C. K:N.O.	N:NBR	G=G N=NPT B:BSPT F:FLANGE	01=1/8' 02=1/4' 03=3/8' 04=1/2' 06=3/4' 08=1' 10=5/4' 12=6/4' 16=2'	A1=AC6V A2=AC12V A3=AC24V A4=AC36V A5=AC110V A6=AC220V A7=AC380V  D1=DC6V D2=DC12V D3=DC24V D4=DC36V D5=DC48V D6=DC110V D7=DC220V	B: Brass A : Alu	D : DIN43650A W:Wire	16011 : 16mm Hole 11011 : 11mm Hole	B : 130°C F 155°C : H 180°C :	Light M: manu alX : anti- explo- sion



## Gas Emergency shutoff Solenoid Valve

### Features :

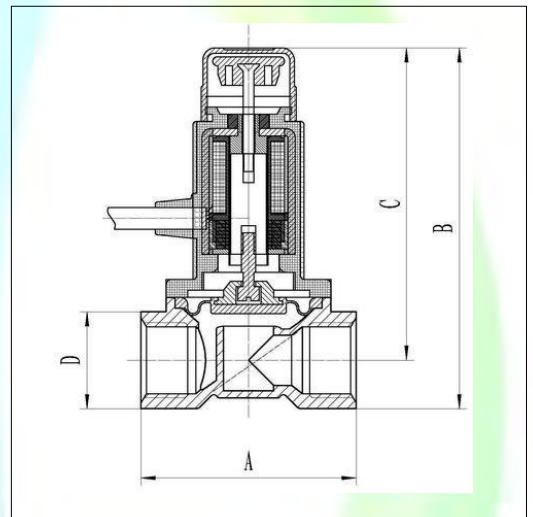
This valve mainly be used in every kind of fuel gas pipeline being in danger (divulging, breakage) to give an alarm and quick closedown automatically, especially suitable for inflammable gas pipeline's safety and protection system. May match with each kind of alarm apparatus.

### Specifications :

- ◆ Manufactured Gas and Non-corrosiveness Air
- ◆ Open Way : DC pulsed driving, manual
- ◆ Driving Voltage : DC 9-12V (pulse)
- ◆ Driving Current : <1.5A (pulse)
- ◆ Valve Body: Brass Alloy/Aluminum
- ◆ Connection Type: G1/2" (DN15A) G3/4" (DN20A)
- ◆ Seals Material: NBR
- ◆ Open Time : less than 1 second
- ◆ Max Pressure: 500 mbar
- ◆ Wire Length: No less than 0.4 meters

### Dimensions :

Model	A(mm)	B(mm)	C(mm)	D(mm)	N.W(KG)
DN15A	60	100	87	27	0.4
DN20A	67	108	91	34	0.5



### Order Guide :

No	1	2	3	4	5	6	7	8
Spec	Model	Orifice	Type	Seals	Thread Type	Pipe	Voltage	Body
Ex.	PMC	15	K	N	G	04	P3	B
		15=15mm 20=20mm 25=25mm 35=35mm 40=40mm 50=50mm	K:N.C.	N:NBR V:FKM	G=G N=NPT B:BSPT	01=1/8' 02=1/4' 03=3/8' 04=1/2' 06=3/4' 08=1' 10=5/4' 12=6/4' 16=2'	P3 : Pulse 9 -24V	B:Brass A : Alu



ALQEMAGROUP

[www.alqemagroup.net](http://www.alqemagroup.net)

### MANUAL RESET SOLENOID VALVES

#### NORMALLY CLOSED SOLENOID VALVES TYPE M16/RMO N.C. - M16/RM N.C.

B



Cod.	Ø Attacco/Connection	Materiale/Material
CO02C008	1/2"	Ottone/Brass
CO03C008	3/4"	Ottone/Brass



CM03C008	3/4"	Alluminio/Aluminium
CM04C008	1"	Alluminio/Aluminium
CM05C008	1"1/4	Alluminio/Aluminium
CM06C008	1"1/2	Alluminio/Aluminium
CM07C008	2"	Alluminio/Aluminium



CM25C008	DN 25	Alluminio/Aluminium
CM32C008	DN 32	Alluminio/Aluminium
CM40C008	DN 40	Alluminio/Aluminium
CM50C008	DN 50	Alluminio/Aluminium



CX08C008	DN 65	Alluminio/Aluminium
CX09C008	DN 80	Alluminio/Aluminium
CX10C008	DN 100	Alluminio/Aluminium
CX11C008	DN 125	Alluminio/Aluminium
CX12C008	DN 150	Alluminio/Aluminium
CX13C008	DN 200	Alluminio/Aluminium



**NORMALLY CLOSED OR OPEN SOLENOID VALVES TYPE M16/RM N.C./N.A.**

**B**



Cod.	Voltage	Ø Connection	Material
CRO02008	230 V / 50 Hz	1/2"	Ottone/Brass
CRO03008	230 V / 50 Hz	3/4"	Ottone/Brass
CRO04008	230 V / 50 Hz	1"	Ottone/Brass

**ON REQUEST :**

- Voltage: 12 Vdc, 12 V/50Hz, 24Vdc, 24V/50 Hz , 110V/50 Hz

Connections	Power supply voltage	P. max
DN 20	230 Vac, 110 Vac, 24 Vdc	8 bar
DN 25	24 Vac	6 bar
DN 32	230 Vac, 110 Vac, 24 Vdc, 24 Vac	8 bar
DN 40	230 Vac, 110 Vac, 24 Vdc	8 bar
DN 50	24 Vac	4 bar





ALQEMAGROUP

[www.alqemagroup.net](http://www.alqemagroup.net)

## *Regulators*

# Section C







## LOW PRESSURE REGULATORS FOR LPG CYLINDERS

Cod. Code	Description
 71.1.490.2036 TIPO 714	<b>L.P.G. cylinder fixed setting regulator EN16129</b> Inlet pressure (IP) = 0,3 ÷ 16 Bar max Inlet : Cap W20x1/14" - left Outlet : Nozzle Outlet Pressure (OP) : 29 mbar <b>Flow (Q) : 1 kg/h</b>
 75.1.390.0004	<b>Adjustable setting regulators EN16129 industrial use</b> Inlet pressure (IP) = 0,5 ÷ 16 Bar max Inlet : 1/4" F Outlet : 3/8" F BSP Outlet Pressure (OP) : 30 mbar Setting range : 30 to 50 mbar <b>Flow (Q) : 3 kg/h</b>
 75.1.390.0007 TIPO 753	<b>Adjustable setting regulators EN16129 industrial use</b> Inlet pressure (IP) = 0,5 ÷ 16 Bar max. Inlet : Cap W20x1/14" - left Outlet : 3/8" F BSP Outlet Pressure (OP) : 30 mbar Setting range : 30 to 50 mbar <b>Flow (Q): 3 kg/h</b>
 73.1.490.0058	<b>Fixed setting regulator EN16129 indoor civil use</b> Inlet pressure (IP) = 0,3 ÷ 16 Bar max Inlet : Cap W20x1/14" - left Outlet: 3/8" F - BSP Outlet Pressure (OP) : 29 mbar <b>Flow (Q) : 3 kg/h</b>
 73.1.890.0087	<b>Fixed setting regulator EN16129 outdoor civil use WITH safety valve</b> Inlet pressure (IP) = 0,5 ÷ 16 Bar max Inlet : G 1/4" F Outlet: 3/8" F - BSP Outlet Pressure (OP) : 29 mbar <b>Flow (Q) : 3 kg/h</b>
 73.1.890.0089	<b>Fixed setting regulator EN16129 outdoor civil use WITH safety valve</b> Inlet pressure (IP) = 0,5 ÷ 16 Bar max Inlet : Cap W20x1/14" - left Outlet: 3/8" F - BSP Outlet Pressure (OP) : 29 mbar <b>Flow (Q) : 3 kg/h</b>



## QUICK ON REGULATORS FOR LPG CYLINDERS



Cod. Code	Description
63.1.490.5264	<b>Fixed setting L.P.G. regulator quick-on EN16129 Ø 22 mm</b> Inlet pressure (IP) = 0,3-16 Bar Outlet : Nozzle Outlet Pressure (OP): 29 mbar. <b>Flow (Q): 1 kg/h.</b>



63.1.490.5049	<b>Fixed setting L.P.G. regulator quick-on EN16129 Ø 20 mm</b> Inlet pressure (IP) = 0,3-16 Bar Outlet : Nozzle Outlet Pressure (OP): 29 mbar. <b>Flow (Q): 1 kg/h.</b>
---------------	---

51.2.190.5024 51.2.190.5014	<b>Adapter for Ø 22 cylinder and closing lever handle</b> Inlet : quick-on Ø 22 connection Outlet : Cap W20x1/14" left <b>Connection: Vertical</b> <b>Connection: Horizontal</b>
--------------------------------	--

51.2.190.5063 51.2.190.5021	<b>Adapter for Ø 20 cylinder and closing lever handle</b> Inlet : quick-on Ø 20 connection Outlet : Cap W20x1/14" left <b>Connection: Vertical</b> <b>Connection: Horizontal</b>
--------------------------------	--

## CONTROL UNIT FOR LPG CYLINDERS



Cod. Code	Description
73.1.890.0097	<b>L.P.G. easy control unit EN16129 fixed setting for 2 cylinders external civil use with safety valve</b> Inlet pressure (PE)= 0,5-16 bar Gate valve with swing check Inlet : Cap W20x1/14" - left Outlet : G 3/8" F Outlet Pressure (OP) : 29 mbar <b>Flow (Q): 3 kg/h.</b>

52.1.490.0040	<b>L.P.G. Control unit EN16129 fixed setting double stage, outdoor civil use with safety valve</b> Inlet pressure (PE)= 0,5-16 bar Gate valve with swing check Inlet : Cap W20x1/14" - left Outlet : G 3/8" F Outlet Pressure (OP) : 29 mbar <b>Flow (Q): 5 kg/h.</b>
---------------	---



## Low pressure lpg regulators for household installation

TYPE	CODE	OPERATING PRESSURE		CAPACITY KG/H	CONNECTIONS		PCS/CRT	NOTES
		REG. ADJUST.	mbar		IN	OUT		
003	RG001.35	F	29	1.5	27-GG	PH10 UNI	100	
0031	RG003.01	F	29	1.0	GS 25 H13	PH10 UNI	100	angle
003	RG003.00	F	29	1.5	GS 25 H13	PH10 UNI	100	
BL	RG003.BL	F	29	1.0	GS 25 H16	PH10 UNI	25	
BL2	RG004.04BL	F	29	0.8	M 16x1,5	PH10 UNI	25	
004	RG004.02	F	28	0.8	M 16x1,5	PH10 UNI	100	with excess flow valve
004	RG004.04	F	28	0.8	M 16x1,5	PH10 UNI	100	
032	RG003.02	F	29	1.0	GS 25 H16	PH10 UNI	100	UNI-CIG IMQ
0033	RG001.31	F	29	1.0	GS 25 H13	G 1/4" sinistro/left-hand	100	
0033	RG001.33	F	29	1.0	27-GG	G 1/4" sinistro/left-hand	100	
QO	RG001.12	F	29	1.5	quick-on D. 20	PH10 UNI	50	use of lpg cylinders type TWINY
QO	RG001.14	F	29	1.5	quick-on D. 22	Angolo/angled PH10 UNI	50	use of LPG cylinders type Agip

capacity kg/h 0,8÷1,5



TYPE 003

OTHER PRESSURE AND CONNECTIONS ON REQUEST

All listed regulators can be supplied with the following package:

**BL** : skin-pack with 1,5 mt lpg pipe 8 x 13, clamps for lpg tube and key CH 25 and clamps

**BL2** : skin-pack with 1,5 mt lpg pipe 8 x 13 and clamps for lpg tube



ALQEMAGROUP

[www.alqemagroup.net](http://www.alqemagroup.net)

Second stage lpg regulators conform European normative

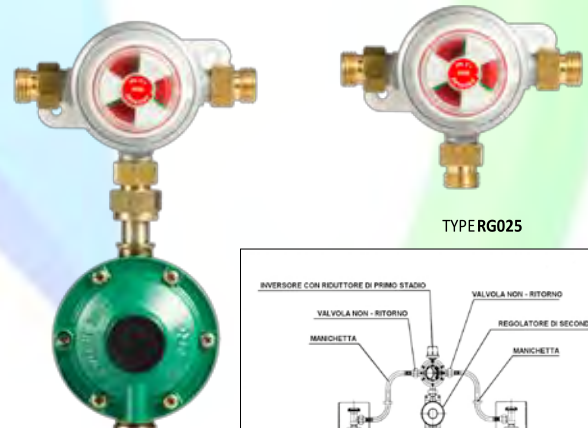
capacity kg/h 12÷55



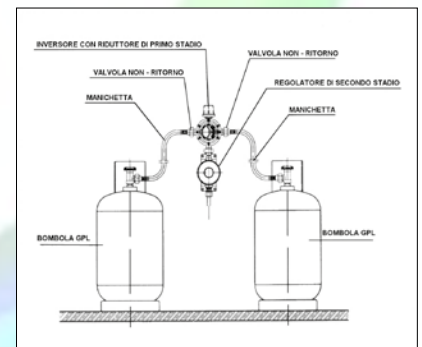
TYPE 912 , TYPE 010 , TYPE 013 , TYPE 012 , TYPE 014 TYPE 01

TYPE *	CODE	OPERATING PRESSURE		CAPACITY KG/H	CONNECTIONS		PCS/CRT
		REG. ADJUST.	mbar		IN	OUT	
912	RG009.60	I	23 ÷ 33	12	F 1/2"	F 1/2"	20
010	RG010.05	I	27 ÷ 37	20	F 1/2"	F 3/4"	6
013	RG013.01	E	40 ÷ 300	35	F 1/2"	F 3/4"	6
012	RG012.10	I	17,4 ÷ 40	35	F 1/2"	F 3/4"	6
014	RG014.10	I	17,4 ÷ 30	55	F 3/4"	F 1"	6

TYPE *	INLET PRESSURE	OPERATING PRESSURE
RG025	0,5 ÷ 16 bar	1,5 bar
RG025KIT	0,5 ÷ 16 bar	20 ÷ 60 mbar



TYPERG025KIT

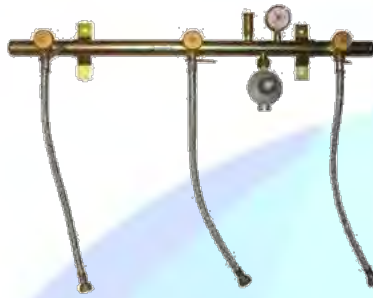




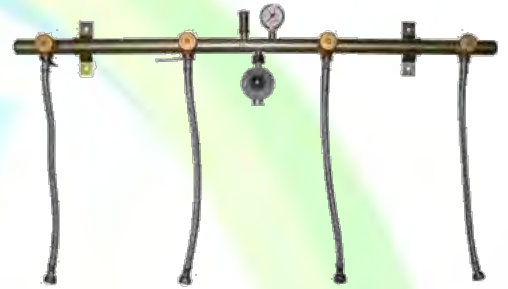
## CONTROL UNITS FOR LPG CYLINDERS

**CONTROL UNIT (ACCORDING TO 7131)  
COMPLETED WITH:**

- Gate valve with swing check
- 0-25 bar Manometer
- Excess flow valve
- 5 kg/h Regulator
- Flexible hoses 50 cm



4011/MV



4012/MV



od. Code	Description
010/MV	L.P.G. Control unit for 2 cylinders 30 mbar 5 Kg/h
011/MV	L.P.G. Control unit for 3 cylinders 30 mbar 5 Kg/h
4012/MV	L.P.G. Control unit for 4 cylinders 30 mbar 5 Kg/h

**CONTROL UNIT (ACCORDING 7131 COMPLETED**

**WITH:**

- Automatic changeover with sight box
- Gate valve with check valve
- Flexible hoses 50 cm
- 5 kg/h Regulator; 29 mbar

Cod. Code	Description
4010/I	L.P.G. Control unit for 2 cylinders 30 mbar 5 kg/h with automatic changeover



### CONTROL UNITS FOR LPG CYLINDERS



Cod. Code	Description
92.1.490.0010	<p><b>Regolatore with automatic changeover with sight box EN16129</b></p> <p>Inlet pressure (PE)= 16 bar</p> <p>Inlet : Cal. 20x1/14".</p> <p>Outlet: Cal. 20x1/14".</p> <p>Outlet pressure (OP): 1,5 Bar.</p> <p><b>Flow (Q): 8 kg/h.</b></p>



52.1.890.0006	<p><b>L.P.G. Control unit EN16129 fixed setting outdoor civil use, double stage and with automatic changeover and safety valve</b></p> <p>Display green/red</p> <p>Inlet pressure (PE)= 16 bar</p> <p>Inlet : Cap W20x1/14" - left</p> <p>Outlet : G 3/8"F</p> <p>Outlet Pressure (OP) : 29 mbar</p> <p><b>Flow (Q): 5 kg/h.</b></p>
---------------	--



78.1.890.0012	<p><b>L.P.G. Control unit EN16129 fixed setting outdoor civil use, double stage and with automatic changeover and safety valve + OPSO</b></p> <p>Display green/red</p> <p>Inlet pressure (PE)= 16 bar</p> <p>Inlet : Cap W20x1/14" - left</p> <p>Outlet : Rp 1/2" ISO7</p> <p>Outlet Pressure (OP) : 29 mbar</p> <p><b>Flow (Q): 10 kg/h.</b></p>
---------------	---



## HIGH PRESSURE REGULATORS FOR LPG TANKS



90.1.890.0040  
TIPO 908F

**Fixed setting regulator EN16129 equipped with manometer and safety valve**  
Inlet pressure (IP) = 16 bar max.  
Inlet : Cap W20x1/14" - left  
Outlet : G 3/8"F  
Outlet Pressure (OP) : 1,5 bar  
**Flow (Q): 40 kg/h.**



90.1.290.0053

**Industrial adjustable setting regulator EN16129 WITH manometer WITHOUT safety valve**  
Inlet pressure (IP) = 16 bar max.  
Inlet : Calotta W20x1/14" - left  
Outlet : G 3/8"F  
Outlet Pressure (OP) : 0,5-3 bar  
**Flow (Q): 40 kg/h.**



90.1.890.0049  
TIPO 908V

**Fixed setting vertical regulator EN16129 equipped with manometer and safety valve**  
Inlet pressure (IP) = 16 bar max.  
Inlet : G 3/4" F  
Outlet : G 3/8"F  
Outlet Pressure (OP): 1,5 bar  
**Flow (Q): 40 kg/h.**



93.1.290.0007

**Industrial adjustable setting regulator EN16129 WITH manometer WITHOUT safety valve**  
Inlet pressure (IP) = 16 bar max.  
Inlet : Cap W20x1/14" - left  
Outlet : G 1/4"F  
Outlet Pressure (OP) : 0,5-4 bar  
**Flow (Q): 12 kg/h.**



91.1.590.1096

**Industrial adjustable setting regulator EN16129 WITH manometer WITHOUT safety valve**  
Inlet pressure (IP) = 16 bar max.  
Inlet : Cap W20x1/14" - left  
Outlet : G 1/4"F  
Outlet Pressure (OP) : 0,5-4 bar  
**Flow (Q): 6-10 kg/h.**



**LOW PRESSURE REGULATORS FOR LPG TANKS**



Cod. Code	Description
73.1.890.0046 TIPO738	<b>L.P.G. regulator EN16129 industrial use</b> <b>Equipped with internal safety valve.</b> Inlet pressure (IP) = 0,5 ÷ 1,95 Bar max Inlet: G 1/2" F Outlet: G 1/2" F Outlet Pressure (OP) : 30 mbar Setting range: 30 to 35 mbar <b>Flow (Q) : 10 kg/h</b>



73.1890.0107	<b>L.P.G. regulator EN16129 industrial use</b> <b>Equipped with internal safety valve.</b> Inlet pressure (IP) = 0,53 ÷ 1,95 Bar max Inlet: W20 x 1/14" cap left Outlet: G 1/2" F Outlet Pressure (OP): 37 mbar <b>Flow (Q): 10 kg/h</b>
--------------	--

**ABOVE GROUND TANK PRESSURE REDUCTION KIT**



COD.	1° STADIO	2° STADIO	MESSA A TERRA
KSFT/1.0	TIPO 908F (FISSO) 40 KG/H	TIPO 738R (REGOL.) 10 KG/H	SI





ALQEMAGROUP

[www.alqemagroup.net](http://www.alqemagroup.net)

**HIGH PRESSURE REGULATORS UNI 7131 FOR LPG TANKS**

**NEW**

**C**



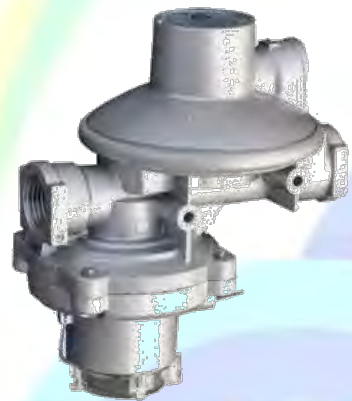
Cod. Code	Description
9014900073	<b>High pressure regulators UNI 7131 EN 16129</b> Inlet Pressure = 16 bar max Outlet Pressure = 0,75 bar Inlet W20x1 14" left Outlet G 3/8F with pressure gauge <b>Q: 25kg/h</b>
9014900075	<b>High pressure regulators vertical fitting UNI 7131 EN 16129</b> Vertical connection Inlet Pressure = 16 bar max Outlet Pressure = 0,75 bar Inlet = G 3/4F Outlet = G 3/8"F with pressure gauge <b>Q: 25 kg/h</b>
7011900394	<b>High pressure regulators with limiter UNI 7131 EN 16129</b> Limiter 1,15 bar Inlet Pressure = 16 bar max Outlet Pressure = 0,75 bar Inlet = W20x1 14" left Outlet = G 3/8"F with pressure gauge <b>Q: 25 kg/h</b>
7819900003	<b>High pressure regulators with OPSO UNI 7131 EN 16129</b> Inlet Pressure = 16 bar max Outlet Pressure = 0,75 bar Inlet = W20x1 14" left Outlet = G 3/8"F with pressure gauge <b>Q: 20 kg/h</b>
9414900016	<b>High pressure regulators UNI 7131 EN 16129</b> Inlet Pressure = 16 bar max Outlet Pressure = 0,75 bar Inlet = Rp 3/4"F ISO7 Outlet = Rp 3/4"F ISO7 with n. 2 dry pressure gauges <b>Q: 100 kg/h</b>
7011900415	<b>High pressure regulators with limiter UNI 7131 EN 16129</b> Limiter 1,15 bar Inlet Pressure = 16 bar max Outlet Pressure = 0,75 bar Inlet = Rp 3/4"F ISO7 Outlet = Rp 3/4"F ISO7 with 2 pressure gauges <b>Q: 100 kg/h</b>



LOW PRESSURE REGULATION **UNI 7131** FOR LPG TANKS



Cod. Code	Description
7811900023	<p><b>High pressure regulators with PRV and OPSO UNI 7131 EN 16129 Breather 90°</b></p> <p>Inlet Pressure = 0,49 1,95 bar            Outlet Pressure = 37 mbar            Inlet = G1/2 F            Outlet = G1/2 F            OPSO 100 mbar PRV 75 mbar            without pressure gauge  <b>Q: 10 kg/h</b></p>



7811900016	<p><b>High pressure regulators with PRV and OPSO UNI 7131 EN 16129 Breather 90°</b></p> <p>Inlet Pressure = 0,49 1,95 bar            Outlet Pressure = 37 mbar            Inlet = G 1/2"F            Outlet = G 1/2"F            OPSO 100 mbar PRV 75 mbar            without pressure gauge  <b>Q: 10 kg/h</b></p>
------------	---



9918900047	<p><b>High pressure regulators with OPSO and PRV UNI 7131 EN 16129</b></p> <p>Inlet Pressure: 0,49 1,95 bar            Outlet Pressure = 37 mbar            Inlet = Rp 1/2"F ISO7            Outlet = Rp 3/4"F ISO7            OPSO 110 mbar PRV 75 mbar            without pressure gauge  <b>Q: 30 kg/h</b></p>
------------	---



4618900010	<p><b>High pressure regulators with OPSO and PRV UNI 7131 EN 16129</b></p> <p>Inlet Pressure: 0,49 1,95 bar            Outlet Pressure = 37 mbar            Inlet = Rp 3/4"F ISO7            Outlet = Rp 1"F ISO7            OPSO 110 mbar PRV 75 mbar            without pressure gauge  <b>Q: 60 kg/h</b></p>
------------	---



ALQEMAGROUP

[www.alqemagroup.net](http://www.alqemagroup.net)

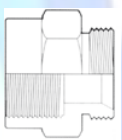
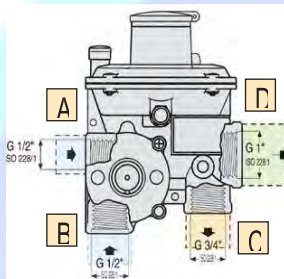
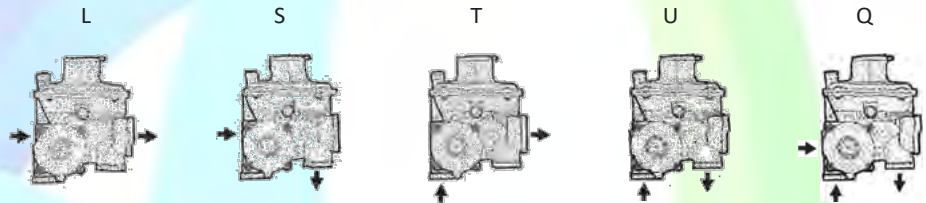
## "FE" PRESSURE REGULATORS

C

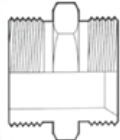


	Portata kg/h	Pe min bar	Pu mbar	SF mbar	Blocco Max	Blocco Min
FE7	7	0,2	30/45	60/75	70/90	standard
FE12	12	0,3	30/45	60/75	70/90	standard
FE30	30	0,4	30/45	60/75	70/90	standard
FES	48/60	0,5/1	30/45	60/75	70/90	standard

FE7	7	0,2	30/45	60/75		standard
FE12	12	0,3	30/45	60/75		standard
FE30	30	0,4	30/45	60/75		standard
FES	48/60	0,5/1	30/45	60/75	70/90	standard



633.50189.ZB



633.50169.ZB

Cod.	Description	Position
070.00120.00	Raccordo entrata gas 3/4" SC	A-B
070.00150.00	Raccordo entrata gas 3/4" GPC	A-B
070.00160.00	Raccordo entrata gas 1" GP	A-B
071.00130.00	Raccordo uscita gas 1" GP	D
071.00115.00	Raccordo uscita gas 1"1/4 GP	D
071.00280.00	Raccordo uscita gas 3/4 GP	C
071.00190.00	Raccordo uscita gas 1"1/4 GP	C
071.00170.00	Raccordo uscita gas 1" GP	C
063.00120.00	Tappo entrata da 1/2"	A-B
063.00110.00	Tappo uscita da 3/4"	C
063.00100.00	Tappo uscita da 1"	D
633.50189.ZB	Raccordo 3/4"x3/4" M-F	



ALQEMAGROUP

[www.alqemagroup.net](http://www.alqemagroup.net)

## "FEX/FEXS" TWO STAGES SELF-DRIVEN SPRING LOADED REGULATORS

C



0,3 ÷ 8,6 bar  
8,6 bar

BP: 13÷100mbar  
MP: 100÷350 mbar

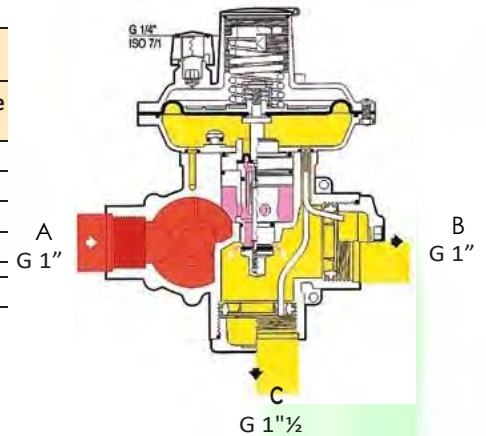
AC 5/10/15/20%

SG Max 30%  
-20°C + 60°C

PORTATE DEI REGOLATORI/NOMINAL FLOW RATE		
Modello/Model	Portata/Flow rate	Pressione di ingresso min/Min. inlet pressure BP/MP
FEX	50 Stm <sup>3</sup> /h /60 Kg/h	Pu + 0,3
	60 Stm <sup>3</sup> /h /72 Kg/h	Pu + 0,4
	65 Stm <sup>3</sup> /h /78 Kg/h	Pu + 0,4
	75 Stm <sup>3</sup> /h /85 Kg/h	Pu + 0,4
FEXS	100 Stm <sup>3</sup> /h /120 Kg/h	Pu + 0,5

LPG flow rate: multiply the value in the table x 1,2. Azote flow rate: multiply the value in the table x 0,789

Legend: Pu: Outlet pressure. Pe: Inlet: pressure. Ac: Accuracy



Regulator Code	Name	Shut off device	Type of pressure	Connection	P.e.(bar)	P.u.
<b>FEX</b>						
VA.AIA 0CSLJA	FEX	-	MEDIA	FIL 1" x 1"½	0,3/8,6	300 mbar
VA.AIA 0CSEIA	FEX	-	BASSA	FIL 1" x 1"½	0,3/8,6	40 mbar
VA.ABA0CSLJA	FEX	min e max	MEDIA	FIL 1" x 1"½	0,3/8,6	300 mbar
VA.ABA0CSEIA	FEX	min e max	BASSA	FIL 1" x 1"½	0,3/8,6	40 mbar
VA.AAA0CSLJA	FEX	max	MEDIA	FIL 1" x 1"½	0,3/8,6	300 mbar
VA.AAA0CSEIA	FEX	max	BASSA	FIL 1" x 1"½	0,3/8,6	40 mbar
<b>FEXS</b>						
VA.IIA0CSLJA	FEXS	-	MEDIA	FIL 1" x 1"½	0,3/8,6	300 mbar
VA.IIA0CSEIA	FEXS	-	BASSA	FIL 1" x 1"½	0,3/8,6	40 mbar
VA.IBA0CSLJA	FEXS	min e max	MEDIA	FIL 1" x 1"½	0,3/8,6	300 mbar
VA.IBA0CSEIA	FEXS	min e max	BASSA	FIL 1" x 1"½	0,3/8,6	40 mbar
VA.IAA0CSLJA	FEXS	max	MEDIA	FIL 1" x 1"½	0,3/8,6	300 mbar
VA.IAA0CSEIA	FEXS	max	BASSA	FIL 1" x 1"½	0,3/8,6	40 mbar

Note: codes are referred to regulators complete of vent valve and P.e. and Pu indicated; inlet in **A** - outlet in **B**

### SAFETY DEVICES AND ACCESSORIES

- Built-in 100 µm inlet filter with an area of 1000mm<sup>2</sup> -
- Over pressure shut - off device (OPSO)
- Under pressure shut - off device (UPSO)
- Safety shut of device for lack of feeding
- The safety shut-off device can only be reset manually
- Rielief valve

FIX



AND ADJUSTABLE LOW PRESSURE "MESURA" REGULATORS

NEW

C

Modello "B" a taratura fissa

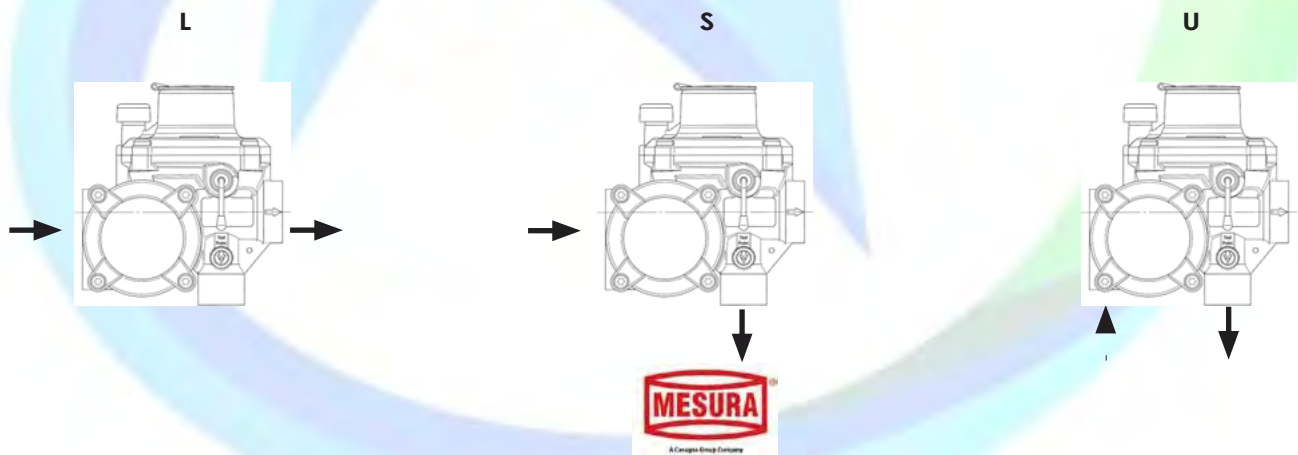


Modello "BV" a taratura regolabile



Regolatore	Pressione a valle in mbar	Portata di gas naturale in Nm <sup>3</sup> /h - (1) in kg/h di propano							
B6 B6V	20	6	6	6	6	6	6		
	30 (1)	(7,6)	(7,6)	(7,6)	(7,6)	(7,6)	(7,6)		
	35 (1)	(7,6)	(7,6)	(7,6)	(7,6)	(7,6)	(7,6)		
B10 B10V	20	8	10	10	10	10	10		
	30 (1)	(10,1)	(12,6)	(12,6)	(12,6)	(12,6)	(12,6)		
	35 (1)	(10,1)	(12,6)	(12,6)	(12,6)	(12,6)	(12,6)		
"B25 B25V"	20	25	25	25	25	25	25		
	30 (1)	(31,2)	(31,2)	(31,2)	(31,2)	(31,2)	(31,2)		
	35 (1)	(31,2)	(31,2)	(31,2)	(31,2)	(31,2)	(31,2)		
		0,1	0,2	0,3	0,4	0,5	1	2	4/5

Modelli disponibili a seconda della tipologia di montaggio





ALQEMAGROUP

[www.alqemagroup.net](http://www.alqemagroup.net)

C

## "DSR" PRESSURE REGULATORS

The DSR series regulators are a line of direct action type pressure regulators, double stage, normally used for domestic applications, if directly assembled to the meter or in decompression installations in gas grids and industrial uses for natural and manufactured gas, lpg, or other non-corrosive preliminarily treated stable gas.



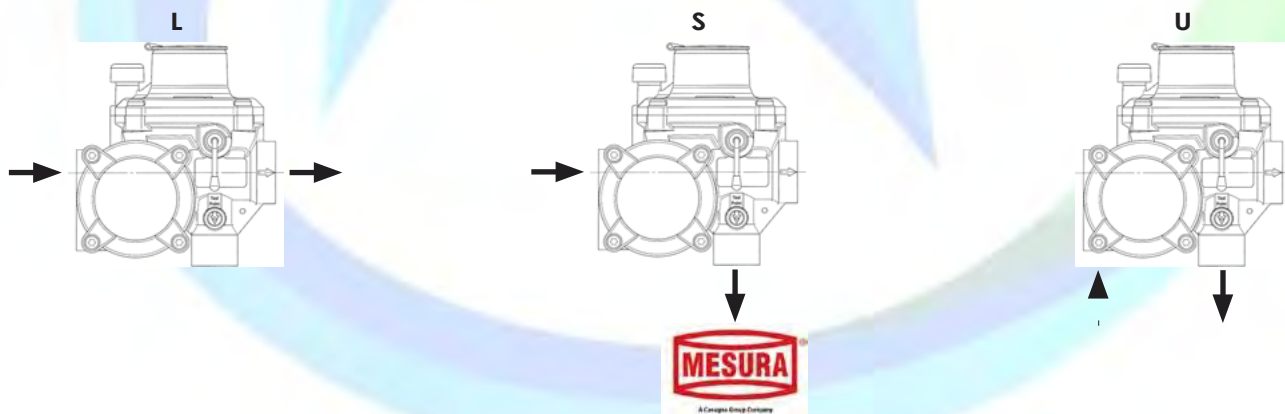
### FEATURES

- Body in aluminium die-cast
- Diaphragms in rubber (with cloth enforcement for MP version)
- Available with or without OPSO - UPSO and excess of flow
- Adjustable OPSO and UPSO
- Built-in pressure relief valve
- Built-in filter
- Pressure test nipple
- Manual re-arming with anti-reset device
- Adjustable settings
- Painting on request

INLET AND OUTLET FITTINGS HAVE TO BE DEFINED BEFORE THE ORDER

	Variants	Inlet Pressure	Out let pressure	(kg/h) Propane	Class AC	Pressure class	Temp
DSR	BP	0,5 ÷ 6	14 ÷ 150	6 m <sup>3</sup> /h - 7 kg/h			Vedi sotto
	MP	1 ÷ 6	150 ÷ 450	25 m <sup>3</sup> /h - 30 kg/h			see table

Modelli disponibili a seconda della tipologia di montaggio





## "DKR" PRESSURE REGULATORS

C

The DKR series regulators are a line of direct action type pressure regulators, double stage, normally used for domestic applications, if directly assembled to the meter or in decompression installations in gas grids and industrial uses for natural and manufactured gas, lpg, or other non-corrosive preliminarily treated stable gas.



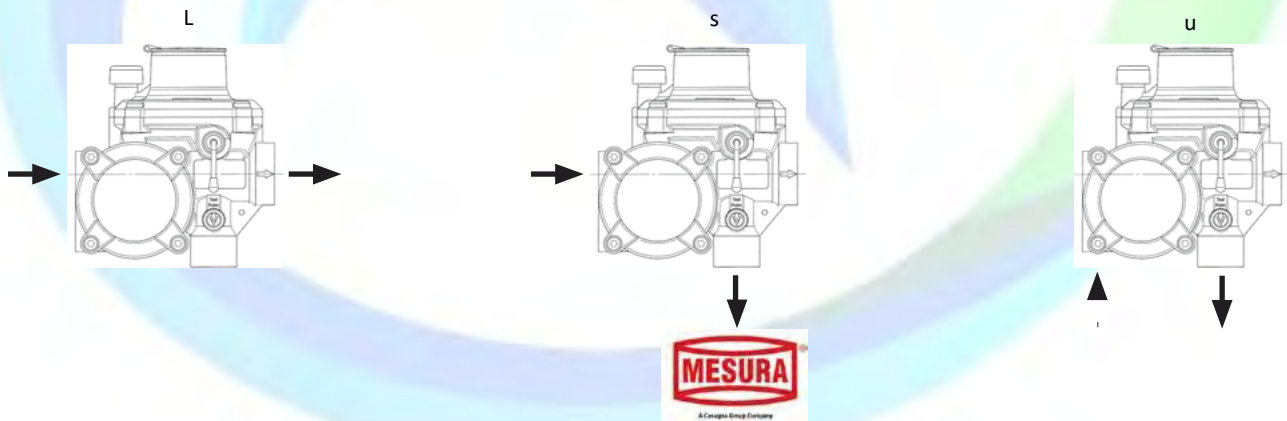
### FEATURES

- Body in aluminium die-cast
- Diaphragms in rubber (with cloth enforcement for MP version)
- Available with or without OPSO - UPSO and excess of flow
- Adjustable OPSO and UPSO
- Built-in pressure relief valve
- Built-in filter
- Pressure test nipple
- Manual re-arming with anti-reset device
- Adjustable settings
- Painting on request

INLET AND OUTLET FITTINGS HAVE TO BE DEFINED BEFORE THE ORDER

	Variants	Inlet Pressure	Out let pressure	(kg/h) Propane	Class AC	Pressure	class	Temp
DKR	BP	0,5 ÷ 6	14 ÷ 150	50 m <sup>3</sup> /h - 60 kg/h				Vedi sotto
	MP	1 ÷ 6	100 ÷ 450	100 m <sup>3</sup> /h - 120 kg/h				See table

Modelli disponibili a seconda della tipologia di montaggio





## HIGH PRESSURE REGULATORS



Cod. Code	Description
9412900009	<p><b>High pressure regulator 100 kg/h</b></p> <p><i>inlet pressure (PE) = 16 bar outlet pressure (OP) = 0,5/3 bar adjustable connection: 3/4" F – 3/4" F kind of thread: Rp ISO7/1;</i></p> <p><b>according to EN16129 with n°2 pressure gauges</b></p>



9412900010	<p><b>High pressure regulator 100 Kg/h</b></p> <p><i>inlet pressure (PE) = 16 bar outlet pressure (OP) = 0,5/3 bar adjustable connection: 1" F – 1" F kind of thread: Rp ISO7/1</i></p> <p><b>according to EN16129 with obturator in viton</b></p>
------------	--



8112900010	<p><b>High pressure regulator 150 Kg/h</b></p> <p><i>inlet pressure (PE) = 16 bar outlet pressure (OP) = 0,5/3 bar adjustable connection: 1" F – 1" F kind of thread: Rp ISO7/1</i></p> <p><b>according to EN16129 with obturator in viton</b></p>
------------	--



9420000404	<p><b>Variable with OPSO high pressure regulator 150 Kg/h</b></p> <p><i>inlet pressure (PE) = 16 bar outlet pressure (OP) = 0,5/4 bar adjustable connection: 3/4" F – 1" F kind of thread: Rp ISO7/1</i></p> <p><b>according to EN16129</b></p>
------------	---





ALQEMAGROUP

[www.alqemagroup.net](http://www.alqemagroup.net)

## LOW PRESSURE REGULATORS FOR INDUSTRIALE USE

NEW

C



99.1.890.0024

**Low pressure industrial regulator  
20/25 kg/h**

*inlet pressure (PE) = 0,45/1,95 bar  
outlet pressure (OP) = 30/35 mbar  
connection: 1/2" F – 3/4" F  
kind of thread: Rp ISO7/1*

**with safety valve**  
*industrial use*  
**according to EN16129**



46.1.890.0005

**Low pressure industrial regulator  
40 kg/h**

*inlet pressure (PE) = 0,45/1,95 bar  
outlet pressure (OP) = 37mbar (25-45  
mbar)  
inlet connection: 1/2" F – 1" F  
kind of thread: Rp ISO7/1;*

**with safety valve**  
*industrial use*  
**according to EN16129**



46.1.890.0006

**Low pressure industrial regulator  
60 kg/h**

*inlet pressure (PE) = 0,45/1,95 bar  
outlet pressure (OP) = 37mbar (25-45  
mbar)  
inlet connection: 1" F – 1"1/4 F  
kind of thread: Rp ISO7/1*

**with safety valve**  
*industrial use*  
**according to EN16129**



ALQEMAGROUP

[www.alqemagroup.net](http://www.alqemagroup.net)

## LOW PRESSURE ADJUSTABLE REGULATORS FOR INDUSTRIALE USE



**Cod. Code**

**Description**

0002

**Low pressure industrial regulator  
8/35 kg/h**

*inlet pressure (PE) = 0,45/3,9 bar  
outlet pressure (OP) = **40-300 mbar**  
**adjustable**  
connections: 1/2" F – 3/4" F  
kind of thread: Rp ISO7/1  
with pressure gauge 0/600 mbar*

*industrial use  
**according to EN16129***



46.1.290.0002

**Low pressure industrial regulator  
8/60 kg/h**

*inlet pressure (PE) = 0,45/3,9 bar  
outlet pressure (OP) = **30/300 mbar**  
**adjustable**  
inlet connections: 1/2" F – 1" F  
kind of thread: Rp ISO7/1;  
with pressure gauge 0/600 mbar*

*industrial use  
**according to EN16129***



46.1.290.0003

**Low pressure industrial regulator  
8/80 kg/h**

*inlet pressure (PE) = 0,45/1,95 bar  
outlet pressure (OP) = **50/300 mbar**  
**adjustable**  
inlet connections: 1" F – 1"1/4 F  
kind of thread: Rp ISO7/1*

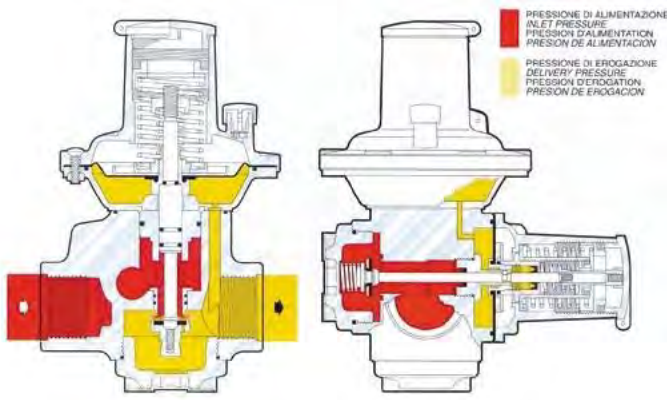
*industrial use  
**according to EN16129***



**FIorentini PRESSURE REGULATORS**

C

**HP 100 / HP 100B**



- Portata in kg/h in funzione della pressione di entrata P.e.
- P. max di ingresso 2-20 bar
- Campo pressione di uscita: 200 -2500 mbar
- Campo di pressione valvola di blocco:
  - min: 100-3000 mbar - max: 300 - 7000 mbar
- Classe di precisione: RG fino a 5/10/15%
- Classe di pressione di chiusura: SG fino a 20/25/30%
- Temperatura di lavoro: -20°+60°C

**CARATTERISTICHE PRINCIPALI/MAIN FEATURES**

Nominal flow rate		Inlet pressure MIN $P_e$ min bar	
GN (Stm3h)	GPL (Kg/h)	$P_u < 1500$ mbar	$P_u \geq 1500$ mbar
25	30	$P_u + 0,3$	$P_u + 0,2$
50	60	$P_u + 0,5$	$P_u + 0,3$
100	120	$P_u + 1.0$	$P_u + 0.5$
160	192	$P_u + 2.0$	$P_u + 1.5$
240*	288*	$P_u + 3.0$	$P_u + 3.0$

\*Solo Versione AP TR/ Only AP TR versione



Regulator Code	Name	Type of pressure	Shut off device	Connection	(bar)	$P_u$
<b>HP 100</b>						
VI.AAA0LXIKA	HP 100 AP	ALTA	-	FIL 1" x 1"	2/20	0,5 bar
VI.BAA0LXJGA	HP 100 APTR	ALTA	-	FIL 1" x 1"	2/20	1,5 bar
<b>HP 100 con blocco di min e max incorporato</b>						
VI.AGA0LXIKA	HP 100 AP/B	ALTA	min/max	FIL 1" x 1"	2/20	0,5 bar
VI.BGA0LXJGA	HP 100 APTR/B	ALTA	min/max	FIL 1" x 1"	2/20	1,5 bar
<b>HP 100 con blocco di max incorporato</b>						
VI.ADA0LXIKA	HP 100 AP/B	ALTA	max	FIL 1" x 1"	2/20	0,5 bar
VI.BDA0LXJGA	HP 100 APTR/B	ALTA	max	FIL 1" x 1"	2/20	1,5 bar

On request: - pressure gauge on outlet (Cod. B220318LF)



FIORENTINI PRESSURE REGULATORS

C



SHUT OFF TYPE "LA"

**DIVAL 500 - 1"x1"**

- New regulators DIVAL 500 have high flow performance and low cost:
- Regulators have an "LA" shut off device that can be disassembled.

**LPG flow rate:**

multiply the value in the table x 1,2. Azote flow rate: multiply the value in the table x 0,789

Legend: Pu: Outlet pressure. Pe: Inlet: pressure . Ac: Accuracy

**DIVAL 500 1"x1" WITH INTERNAL SENSINE LINE AND PRESETTING EXTERNAL SENSINE LINE**

Pu:15-100mbar BP - Portata stmc/h G.N.				Pu:100-300mbar MP - Portata stmc/h G.N.				Pu:300-1000mbar TR - Portata stmc/h G.N.				Pu:1000-3000mbar TR - Portata stmc/h G.N.			
Pe bar	AC5	AC10	AC20	Pe bar	AC5	AC10	AC20	Pe bar	AC5	AC10	AC20	Pe bar	AC5	AC10	AC20
Pu +0,5bar	75	95	105	Pu +0,5bar	110	120	140	Pu +0,5bar	50	80	100	Pu +0,5bar	100	160	200
Pu +1bar	75	125	140	Pu +1bar	150	180	200	Pu +1bar	75	130	150	Pu +1bar	150	270	300
Pu +2,5bar	100	125	140	Pu +2,5bar	250	300	300	Pu +2,5bar	120	200	250	Pu +2,5bar	300	480	500
Pu +5,0bar	90	140	160	Pu +5,0bar	300	300	300	Pu +5,0bar	130	350	350	Pu +5,0bar	350	350	350



Regulator Code	Name	Type fo pressure	Type fo shut off	P.e(bar)	P.u.
<b>Dival 500 1"x1"</b>					
D500.1A01	DIVAL 500 1"x1" AP/TR	ALTA	no	2/18	0,5 bar
D500.1A02	DIVAL 500 1"x1" AP/TR	ALTA	no	2,5/18	1,5 bar
D500.1M01	DIVAL 500 1"x1" MP	MEDIA	no	0,8/5	300 mbar
D500.1B01	DIVAL 500 1"x1" BP	BASSA	no	0,5/5	40 mbar



Regulator Code	Name	Type fo pressure	Type of shut off	P.e.(bar)	P.u.
<b>Dival 500 1"x1" con blocco di min e max incorporato - with upso and opso shut off device</b>					
D500.1A01.L2	DIVAL 500 1"x1" AP/TR/L2	ALTA	min e max/opso & upso	2/18	0,5 bar
D500.1A02.L2	DIVAL 500 1"x1" AP/TR/L2	ALTA	min e max/opso & upso	2,5/18	1,5 bar
D500.1M01.L2	DIVAL 500 1"x1" MP/L2	MEDIA	min e max/opso & upso	0,8/5	300 mbar
D500.1B01.L2	DIVAL 500 1"x1" BP/L2	BASSA	min e max/opso & upso	0,5/5	40 mbar

Note: codes are referred to regulators complete of vent valve and Pe and Pu indicated

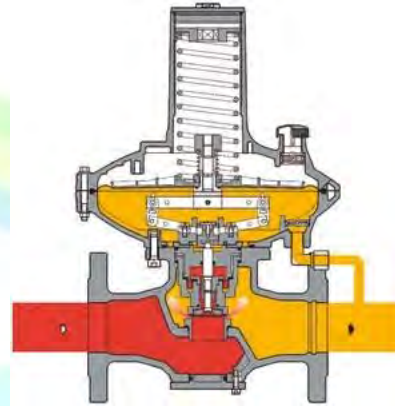


**DIVAL 600**

C

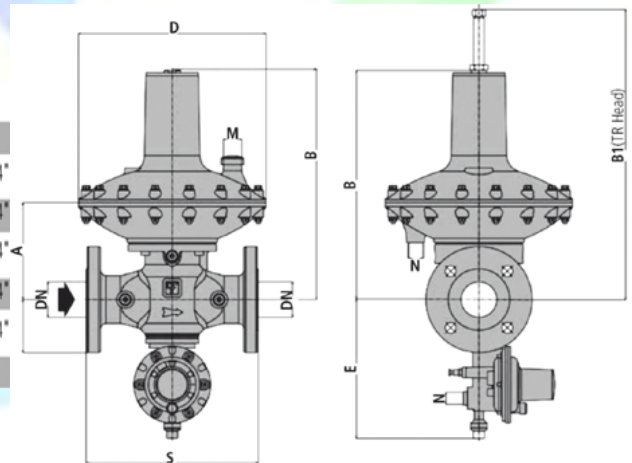
**FEATURES**

- Body : cast steel
- Max inlet P.: 20 bar
- Max outlet P.: 15 - 4200 mbar
- Accuracy class AC: up to 5
- Closing pressure class SG up to 10
- Ambient temperature : -20°C +60°C
- Flanging class : PN16/25



Cod.	Pressure Type	Connection	Shut off device
<b>DIVAL 600</b>			
<b>DIVAL 600</b>	ALTA HIGH	DN40	-
		DN 50	-
	MEDIA MEDIUM	DN40	-
		DN 50	-
<b>DIVAL 600/L con blocco di min e/o max</b>	BASSA LOW	DN40	-
		DN 50	-
	ALTA HIGH	DN40	✓
		DN 50	✓
<b>DIVAL 600/L</b>	MEDIA MEDIUM	DN40	✓
		DN 50	✓
	BASSA LOW	DN40	✓
	DN 50	✓	

DN	NPS	S	A	B	B1	E	D	M	N
25	1"	183	145	343	433	215	280	Rp1/2"	Rp1/4"
32	1" 1/4	183	145	343	433	215	280	Rp1/2"	Rp1/4"
40	1" 1/2	223	145	343	433	215	280	Rp1/2"	Rp1/4"
50	2"	254	158	343	433	215	280	Rp1/2"	Rp1/4"
G 2"	2" NPTF	254	158	343	433	215	280	Rp1/2"	Rp1/4"



On request other connection:

- flanged DN 25 , DN32
- threaded G 2" NPT
- ANSI flanges 150RF



ALQEMAGROUP

[www.alqemagroup.net](http://www.alqemagroup.net)

## FIorentini's PRESSURE REGULATORS

C

### NORVAL - NORVAL/L



#### CARATTERISTICHE PRINCIPALI

- Pressione di progetto: fino a 19 bar
- Temperatura di esercizio: -20 °C +60 °C
- Temperatura ambiente: -20 °C +60 °C
- Massima pressione di entrata Pu: per DN da 1" a 3" 16 bar; per DN da 4" a 8" 8 bar
- Campo di regolazione possibile Wh: per DN da 1" a 4" da 8 a 4400 mbar  
per DN da 6" a 8" da 12 a 1800 mbar
- Classe di precisione AC: fino a 5
- Classe di pressione di chiusura SG: fino a 10
- Grandezze disponibili DN: 1" - 1 1/4" - 1 1/2" - 2" - 2 1/2" - 3" - 4" - 6" - 8"
- Connessioni Flangiate: PN 16 secondo ISO 7005 e ANSI 150RF secondo ANSI B16.5.

#### MATERIALI

- Corpo: Acciaio Fuso ASTM A216 WCB per tutte le grandezze Ghisa sferoidale fusa GS 400-18 ISO 1083 per DN ≤ 6"
- Coperchi Testata: Acciaio al carbonio stampato
- Membrana: Tessuto gommato
- Sede Valvola: Acciaio
- Tenute: Gomma Nitrilica
- Raccordi: Secondo DIN 2353 in acciaio al carbonio zincato



#### MAIN FEATURES

- design pressure: up to 19 bar;
- operating temperature: -20° C +60° C;
- ambient temperature: -20° C +60° C;
- maximum inlet pressure Pu: for DN from 1" to 3" 16 bar; for DN f from 4" to 8" 8 bar;
- possible adjustment range Wh: for DN from 1" to 4" from 8 to 4400 mbar; for DN from 6" to 8" by 12 to 1800 mbar;
- AC accuracy class: up to 5;
- closing pressure Class SG: up to 10;
- available Sizes DN: 1" - 1 1/4" - 1 1/2" - 2" - 2 1/2" - 3" - 4" - 6" - 8";
- flanged connections: PN 16 to ISO 7005 and ANSI 150RF according to ANSI B 16.5.

#### MATERIALS

- Body: cast steel ASTM A216 WCB for all sizes; cast ductile iron GS 400-18 ISO 1083 for DN ≤ 6 "
- Cylinder head Covers: Printed carbon steel;
- Membrane: Rubberised fabric;
- Valve seat: Stainless steel;
- Seal: Nitrile rubber;
- Junctions: According to DIN 2353 Fittings: in galvanized carbon steel.



## "IPR 75 - 150 - 250 MESURA" PRESSURE REGULATORS

The IPR regulators are a new line of pressure regulators – direct operating type – designed to guarantee a high regulation accuracy and a utmost easiness in use. These devices are usually used in distribution and industrial systems and are designed to be installed in regulation units in gas grids of natural, manufactured and lpg gas or other non corrosive gases, filtered at first.



### FEATURES

- Body in cast iron or steel
- Covers in aluminium die-cast
- Diaphragms in rubber with cloth enforcement
- Seats in stainless steel
- Springs in stainless steel
- Counterbalanced
- Anti-pumping device
- Diaphragm shock adsorber or relief valve
- Working temperature (°C): -20 (-30) +60
- In accordance to 97/23 EC (PED) - EN334
- For reference see User Guide 100

	Inlet Pressure			Outlet Pressure				Regulating class (AC)	Closing pressure class (SG)	Valve coefficient (CG)	Connections
	BP-MP-AP	APS	APA	BP	MP	AP - APS	AP - APA				
	bar			mbar							
IPR 75	5 - 6	19		14 ÷ 150	150 ÷ 500	500 ÷ 4000		fino a 5 up to 5	fino a 10 up to 10	160	1" x 1"
IPR 150	5 - 6		19			500 ÷ 4000				281	1"x1"1/2
IPR 250	5 - 6		19			500 ÷ 4000				410	1"x1"1/2

Available versions: B: with OPSO/UPSO shut-off valve



## "IPR 300 - 600 MESURA" PRESSURE REGULATORS

The IPR regulators are a new line of pressure regulators – direct operating type – designed to guarantee a high regulation accuracy and a utmost easiness in use. These devices are usually used in distribution and industrial systems and are designed to be installed in regulation units in gas grids of natural, manufactured and lpg gas or other non corrosive gases, filtered at first.



### FEATURES

- Body in cast iron or steel
- Covers in aluminium die-cast
- Diaphragms in rubber with cloth enforcement
- Seats in stainless steel
- Springs in stainless steel
- Counterbalanced
- Anti-pumping device
- Diaphragm shock adsorber or relief valve
- Working temperature (°C): -20 +60
- In accordance to 97/23 EC (PED) - EN334
- For reference see User Guide 100

	Pressione in entrata Inlet Pressure			Pressione in uscita Outlet Pressure				Classe di regolazione Regulating class (AC)	Classe di pressione in chiusura Closing pressure class (SG)	Coefficiente valvola Valve coefficient (CG)	Attacchi Connections
	BP-MP-AP	APS	APA	BP	MP	AP APS	AP - APA				
	bar			mbar							
IPR 300	5 - 6		19	14 ÷ 150	150 ÷ 500		500 ÷ 4000	fino a 5 up to 5	fino a 10 up to 10	574	DN40
IPR 600	5 - 6		19							1160	DN50

Available versions: B: with OPSO/UPS0 shut-off valve





## "IPR X 300 - 600 MESURA" PRESSURE REGULATORS

The IPR are a new line of pressure regulator – spring loaded – suitable for use in canalized nets of low and medium pressure with non-corrosive gas filtered at first.

The feature peculiar to IPR regulators is the trivalent operating, i.e. in a single body is united the following operations: main regulator, monitor, shut-off valve.

Special use of a single body allows to reduce overall dimensions of regulation units and solve problems of replacement or conversion of existing units out of standard.



### FEATURES

- Body in cast iron or steel
- Covers in aluminium die-cast
- Diaphragms in rubber with cloth enforcement
- Seats in stainless steel
- Springs in stainless steel
- Counterbalanced
- Anti-pumping device
- Diaphragm shock adsorber or relief valve
- Working temperature (°C): -20 +60
- In accordance to 97/23 EC (PED) - EN334
- For reference see User Guide 100

	Varianti Variants	Pressione in entrata Inlet Pressure		Pressione in uscita Outlet Pressure			Classe di regolazione Regulating class (AC)	Classe di pressione in chiusura Closing pressure class (SG)	Coefficiente valvola Valve coefficient (CG)	Attacchi Connections
		BP-MP-AP	APA	BP	MP	AP - APA				
		bar		mbar						
IPR X 300	XB	5 - 6	19	14 ÷ 150	150 ÷ 500	500 ÷ 4000	fino a 5 up to 5	fino a 10 up to 10	574	DN40
	X									
IPR X 600	XB	5 - 6	19	14 ÷ 150	150 ÷ 500	500 ÷ 4000	fino a 5 up to 5	fino a 10 up to 10	1160	DN50
	X									

Available versions: X: With built-in emergency regulator and shut-off valve · XB: With built-in double shut-off valve



**"RMI 50 - 80MESURA" PRESSURE REGULATORS"**

The RMI regulators are a new line of pressure regulators – direct operating type – designed to guarantee a high regulation accuracy and a utmost easiness in use. These devices are usually used in distribution and industrial systems and are designed to be installed in regulation units in gas grids of natural, manufactured and lpg gas or other non corrosive gases, filtered at first.



**FEATURES**

- Body in cast iron or steel
- Covers in aluminium die-cast
- Diaphragms in rubber with cloth enforcement
- Seats in stainless steel
- Springs in stainless steel
- Counterbalanced
- Anti-pumping device
- Diaphragm shock adsorber or relief valve
- Working temperature (°C): -20 +60
- In accordance to 97/23 EC (PED) - EN334
- For reference see User Guide 100

	Inlet Pressure		Outlet Pressure				Regulating class (AC)	Closing pressure class (SG)	Valve coefficient (CG)	Connections
	BP-MP-AP	APA	BP	MP	AP	APA				
	bar		mbar							
RMI 50	5 - 6	19	14 ÷ 80	75 ÷ 500	470 ÷ 2000	2000 ÷ 4000	fino a 5 up to 5	fino a 10 up to 10	-	DN50
RMI 80	5 - 6								3380	DN80

**Available versions:**

- B: with built-in OPSO/UPSO shut-off valve
- M: with built-in Monitor
- MB: with M onitor and shut-off valve



**"ERG-L SERIES PN0, 2 Meter Gas Pressure regulator"**

C

**INTRODUCTORY AND TECHNICAL INFORMATION**

- ERG-L series gas pressure regulators are used in the gas lines in order to reduce maximum 0,2 bar input pressure to the desired output pressure between 16 and 100 mbar. The range of the output pressure can be set with the choice of a different spring
- Usage: City networks for domestic use
- Fluid Type: Second Family Group H Medium - Non-corrosive gases such as Natural Gas (Methane), LPG, Propane, Butane, Town Gas, Air, etc...
- Pressure Class: PN0,2
- Connection or Port Size: 3/4", 1" Threaded ( Female )
- Inlet Pressure Range: 50mbar up to 0,2 bar
- Outlet Pressure Range: 16 mbar up to 100 mbar
- Flow Range: 0-10 m<sup>3</sup>/h
- Filter: None
- Number of Stages: Single Stage
- Accuracy Class: AC 15 (± 15%)
- Closing Tolerance : SG30 (+ 30%)(On request SG20)
- Ambient Temperature: -20°C up to 60°C (On request -40 °C)
- Class and Group: A Class Group 2 (A2)
- Angle Type : 90°
- UPSO: Exceed flow valve usually shut the gas off ≥11 mbar. Can be set based on customer demand.
- UPSO Tolerance: ± 20%
- Shut Off Time : Less than 1 second
- Structural Additional Features: With UPSO
- Material Standard: Aluminum-EN 1706 / Brass-EN 12164 and EN 12165 / Rubber-EN 549 / Plastic-EN 11667
- Materials: Body and cover- EN AC 46100 Aluminum / Some Internal Parts - CuZn39Pb3 Brass,Nylon or POM Plastic / Some External Parts- CuZn40Pb2 Brass / Rubber NBR / Spring- AISI 302



CONNECTION	OUTLET PRESSURE (21 mbar)
3/4"	10 m <sup>3</sup> /h
1"	10 m <sup>3</sup> /h

FLOW RATE TABLE (FOR NATURAL GAS)

MODEL NAME	CONNECTION	UNIT WEIGHT	BOX SIZE (LxWxHcm)	PACKAGING (pieces/ carton)	CARTON SIZE (LxWxH cm)	CARTON (weight)	TOTAL CARTON (weight)
EGV-L 1020	3/4"	0,60 kg	10x15x9	31	27x42x46	0,40 kg	16kg
EGV-L 1025	1"	0,50 kg	10x15x9	31	27x42x46	0,40 kg	16 kg

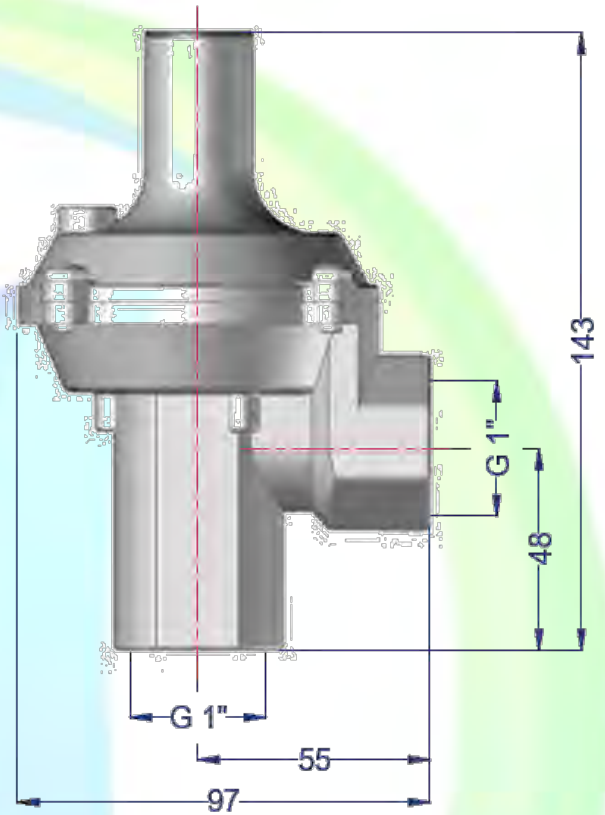
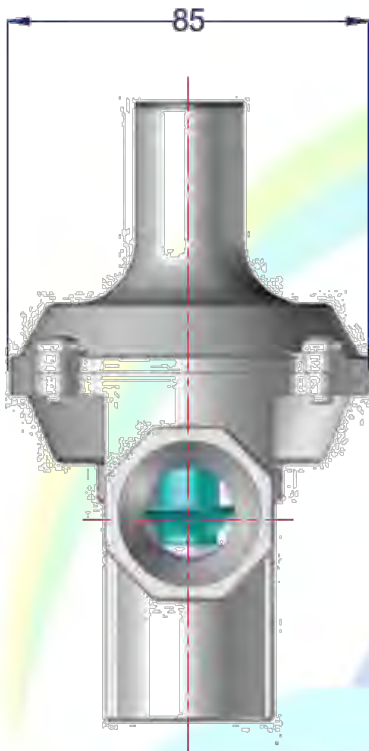


ALQEMAGROUP

[www.alqemagroup.net](http://www.alqemagroup.net)

Dimension:

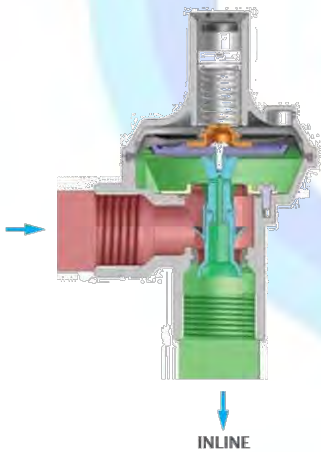
C



Flow direction

Similar product

Option



ER



ERG



ERG





ALQEMAGROUP

[www.alqemagroup.net](http://www.alqemagroup.net)

**"ERG-SE SERIES PN6, Double stage gas pressure regulator with OPSO"**

C

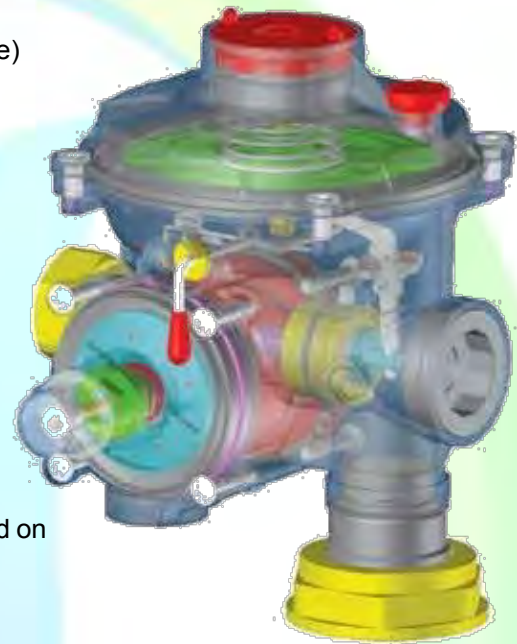


- ERG-SE series gas pressure regulators are used in the gas lines in order to reduce maximum 6



**INTRODUCTORY AND TECHNICAL INFORMATION**

- bar input pressure to the desired output pressure between 16 and 500 mbar. The range of the output pressure can be set with the choice of a different spring.
- Usage: The below and above ground service boxes in the gas networks and gas pipelines in the civic networks and industrial fields
- Fluid Type: Second Family Group H Medium - Non-corrosive gases such as Natural Gas (Methane), LPG, Propane, Butane, Town Gas, Air, etc...
- Pressure Class: PN4 and PN6
- Inlet Connection or Port Size: 1/2", 3/4", 1" ISO 228/1 BSPP  
ISO 228/1 BSPT – ANSI / ASME B 1.20.1 NPT Threaded (Female)
- Outlet Connection or Port Size: 1", 1 1/4", 1 1/2", 2" ISO 228/1 BSPP  
ISO 228/1 BSPT – ANSI / ASME B 1.20.1 NPT, Threaded (Female).
- Inlet Pressure Range: 0,1 bar up to 6 bar
- Outlet Pressure Range: 16 mbar up to 500 mbar
- Flow Range: 2,5 - 6 - 10 - 15 - 25 - 30 - 50 - 60 m<sup>3</sup>/h
- Filter: Bronze mech metallic filter
- Number of Stages: Double Stage
- Accuracy Class: AC 10 (± 10%) (On request AC5, AC15, AC20)
- Lock Up Pressure Class: SG20 (+ 20%) (On request SG10 + %10)
- Ambient Temperature: -20°C up to 60°C (On request -40 °C)
- Angle Type: 90° or U or Inline or Q type
- Relief Pressure: Based on customer demand
- Relief Pressure Tolerance: ± 10%
- UPSO: Exceed flow valve (between capacity's 101% to 150%) based on customer demand
- UPSO Pressure Tolerance: ± 10%
- OPSO Pressure Range: On request adjustable
- OPSO Pressure Tolerance: 20%
- Shut Off Time: Less than 1 second
- Structural Additional Features: With UPSO, with relief valve with OPSO
- Material Standard: Aluminum-EN 1706 / Zinc Alloys-EN 1774 / Brass-EN 12164 and EN 12165 / Rubber-EN 549 / Stainless Steel- EN 10088 / Plastic-EN 11667
- Materials: Body and cover- EN AC 46100 Aluminum / Some Internal Parts- CuZn39Pb3 Brass, Zamak Zinc Alloy, Stainless Steel, Nylon or POM Plastic / Some External Parts-CuZn40Pb2 Brass and Zamak Zinc Alloy / Rubber NBR / Spring- AISI 302



MODEL NAME	FLOW RATE (m <sup>3</sup> /h)	UNIT WEIGHT (kgs)	BOX SIZE (LxWxH cm)	PACKAGING (pieces/carton)	CARTON SIZE (LxWxH cm)	CARTON (weight)	TOTAL CARTON (weight)
ERG-SE 2.5	2,5	1,15	15x14.5x16	16	33x58x35	0.65kg	19.5 kg
ERG-SE 06	6	1,15	15x14.5x16	16	33x58x35	0.65kg	19.5 kg
ERG-SE 10	10	1,15	15x14.5x16	16	33x58x35	0.65kg	19.5 kg
ERG-SE 15	15	1,15	15x14.5x16	16	33x58x35	0.65kg	19.5 kg
ERG-SE 25	25	1,15	15x14.5x16	16	33x58x35	0.65kg	19.5 kg
ERG-SE 30	30	1,15	15x14.5x16	16	33x58x35	0.65kg	19.5 kg
ERG-SE 50	50	1,15	15x14.5x16	16	33x58x35	0.65kg	19.5 kg
ERG-SE 60	60	1,15	15x14.5x16	16	33x58x35	0.65kg	19.5 kg

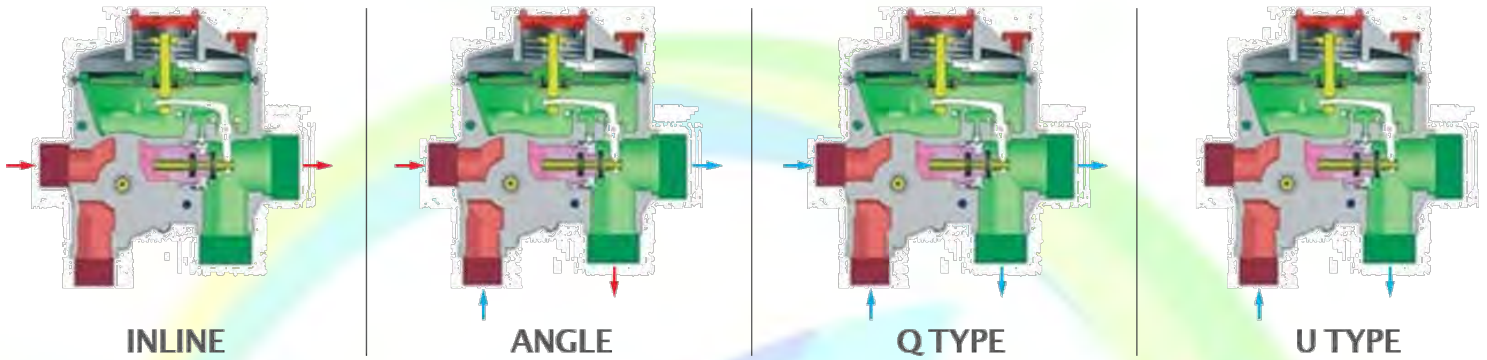


ALQEMAGROUP

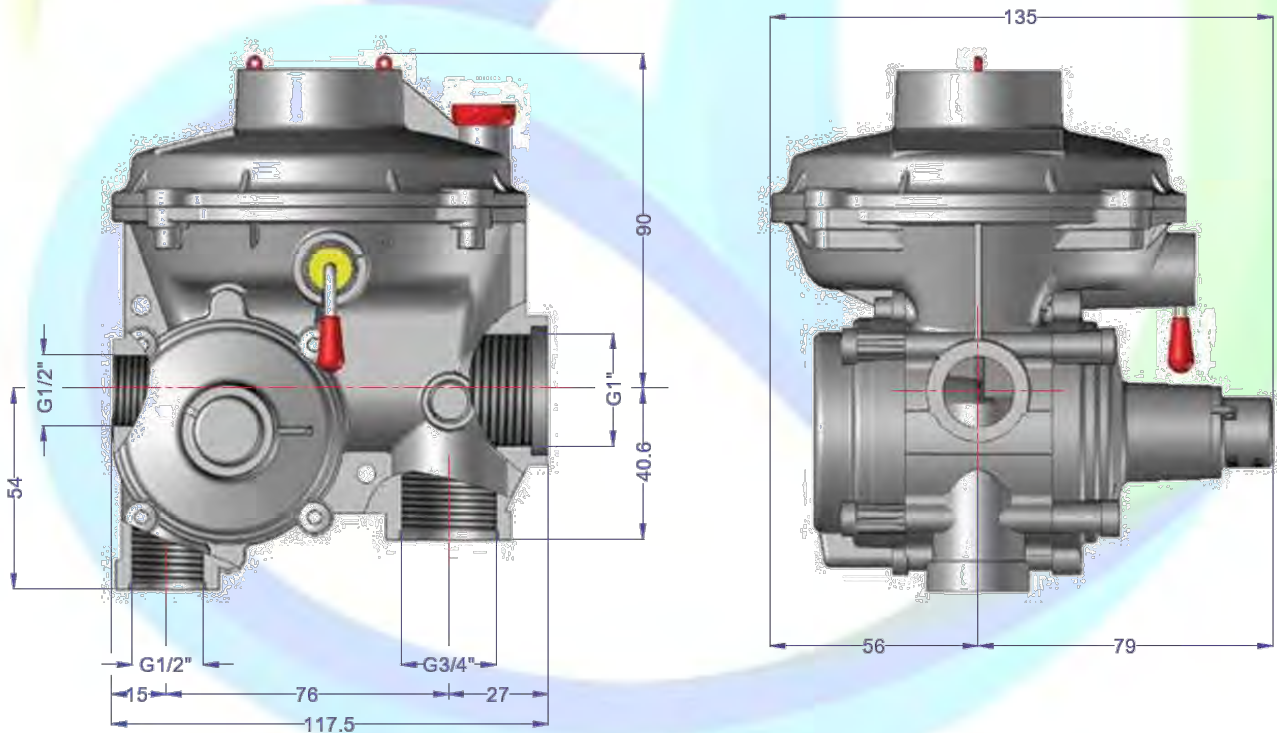
[www.alqemagroup.net](http://www.alqemagroup.net)

## Flow direction

C



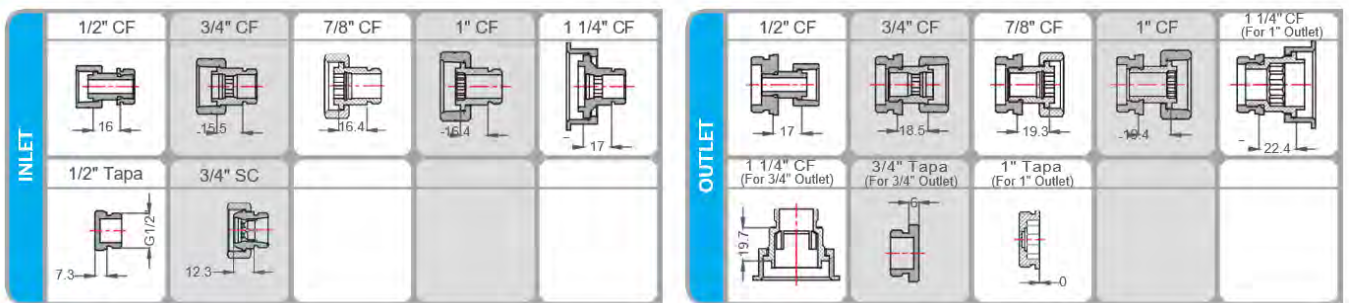
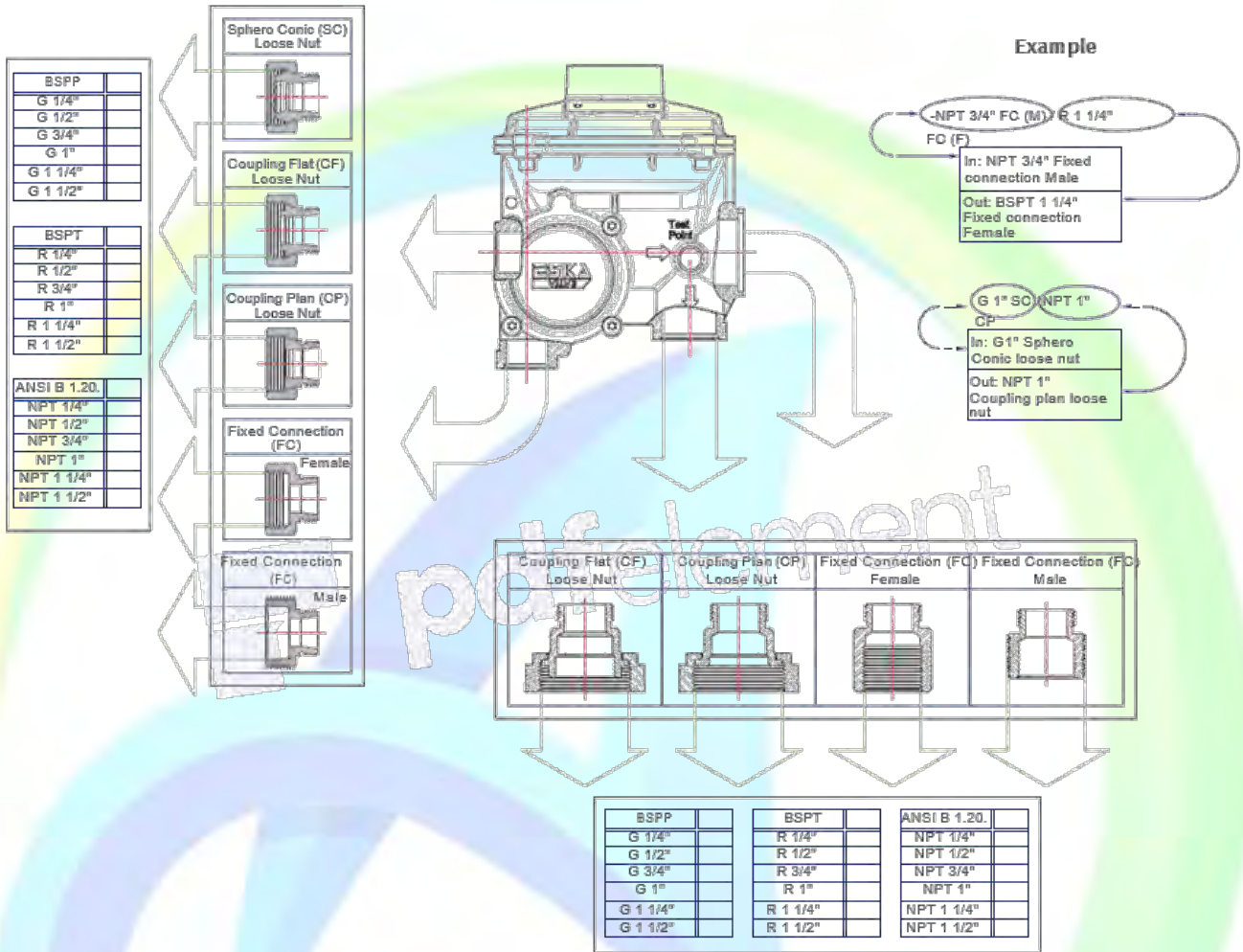
## DIMENSION (mm)





CONNECTION TYPES AND DIMENSIONS (mm)

C







**ALQEMAGROUP**

**OPTIONS:**

C

**TESTING PORTS ON BODY**



**SEALING HOLES ON CONNECTIONS**



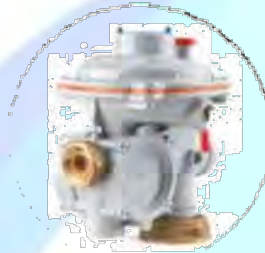
**BREATHER HOLE EXTENSION**



**PERMANENTLY SEALED PLASTIC CAP**



**PAINT COATING FOR UNDERGROUND INSTALLATIONS**



**SMALLER HEAD FOR HIGH PRESSURE**



**MARKING:**



**SIMILAR PRODUCT:**



**ERG-S**



**ERG-SX**



**ERG-SXE**



ALQEMAGROUP

[www.alqemagroup.net](http://www.alqemagroup.net)

## Gas Filter

C

### ALUMINIUM FILTERS

#### STANDARD FEATURES

- Filtering grade : 50 micron
- Max pressure available : 2 e 6 bar
- Versions : normal and compact (solo 1/2" e 3/4")
- Easy removable cartridge
- Regenerable cartridge



FM



FM



FGM

P.max Max pressure	Connection	Typ e	Without pressure sensing line	With inlet pressure sensing line	With inlet and outlet pressure sensing line	With pressure sen- sing line and inlet - outlet caps	
2 bar	1/2"	compatto	FMC02 A50	FMC02 B50	FMC02 D50		
			FM02 A50	FM02 B50	FM02 D50	FM02 L50	
	3/4"	compatto	FMC03 A50	FMC03 B50	FMC03 D50		
			FM03 A50	FM03 B50	FM03 D50	FM03 L50	
	1"		FM04 A50	FM04 B50	FM04 D50	FM04 L50	
			04M A50*	FM04M B50	FM04M D50	FM04M L50	
		1"1/4"	FM05 A50	FM05 B50	FM05 D50	FM05 L50	
		1"1/2"	FM06 A50	FM06 B50	FM06 D50	FM06 L50	
		2"	FM07 A50	FM07 B50	FM07 D50	FM07 L50	
	Flangiato Flanged	DN 25		FM25 A50	FM25 B50	FM25 D50	FM25 L50
		DN 25M		FM25M A50*	FM25M B50	FM25M D50	FM25M L50
		DN 32		FM32 A50	FM32 B50	FM32 D50	FM32 L50
		DN 40		FM40 A50	FM40 B50	FM40 D50	FM40 L50
		DN 50		FM50 A50	FM50 B50	FM50 D50	FM50 L50
DN 65			FF08 A50	FF08 B50	FF08 D50	FF08 L50	
DN 80			FF09 A50	FF09 B50	FF09 D50	FF09 L50	
	DN 100		FF10 A50	FF10 B50	FF10 D50	FF10 L50	
	DN 125						
	DN 125			a richiesta			

\* Con corpo e grado di filtrazione del 1 1/2" / DN 40



## Gas Filter

C

### ALUMINIUM FILTERS

Codice

P.max Max pressure	Connection	Type	Without pressure sensing line	With inlet pressure line sensing line	With inlet and outlet pressure sensing line	With pressure sensing and inlet outlet caps
6 bar	1/2"	Compatto	FMC020000 A50	FM	C020000 B50	FMC020000 D50
					FM020000 A50	FM020000 L50
	3/4"	Compatto	FMC030000 A50	FMC030000 B50	FMC030000 D50	
			FM030000 A50	FM030000 B50	FM030000 D50	FM030000 L50
			FM040000 A50	FM040000 B50	FM040000 D50	FM040000 L50
	1"		FM04M0000 A50	FM04M0000 B50	FM04M0000 D50	FM04M0000 L50
			FM04M0000 A50	FM04M0000 B50	FM04M0000 D50	FM04M0000 L50
	1"1/4"		FM050000 A50	FM050000 B50	FM050000 D50	FM050000 L50
	1"1/2"		FM060000 A50	FM060000 B50	FM060000 D50	FM060000 L50
	2"		FM070000 A50	FM070000 B50	FM070000 D50	FM070000 L50
	DN 25		FM250000 A50	FM250000 B50	FM250000 D50	FM250000 L50
	DN 25M		FM25M0000 A50	FM25M0000 B50	FM25M0000 D50	FM25M0000 L50
	DN 32		FM320000 A50	FF320000 B50	FF320000 D50	FM320000 L50
	DN 40		FM400000 A50	FF400000 B50	FF400000 D50	FM400000 L50
	DN 50		FM500000 A50	FF500000 B50	FF500000 D50	FM500000 L50
	DN 65		FF080000 A50	FF080000 B50	FF080000 D50	FF080000 L50
	DN 80		FF090000 A50	FF090000 B50	FF090000 D50	FF090000 L50
	DN 100		FF100000 A50	FF100000 B50	FF100000 D50	FF100000 L50

**ON REQUEST:**

- Available with central barrier cartridge (type FGM)
- Other filtering : 10 e 20 micron

### STEEL FILTERS FOR MEDIUM PRESSURE REDUCTION UNIT - M/F



12018

GP - 0,1

- max pressure: 5 bar
- Easy to be cleaned

### STEEL FILTERS FOR HIGH PRESSURE REDUCTION UNIT - FLANGED PN 40



801000100.F

DN 25

801000110.F

DN 32

801000120.F

DN 40

801000130.F

DN 50

- max pressure: 40 bar
- Easy to be cleaned



ALQEMAGROUP

[www.alqemagroup.net](http://www.alqemagroup.net)

## Closing Gas Pressure Regulators And Regulators Type FRG/2mc - Rg/2mc

### STANDARD FEATURES

- **P.max : 1 bar**
- Threaded sizes version

- Version "0022" with reinforced diaphragm (for P2 > 200 mbar)
- P1 min: 0,5 bar



0051  
0497



2 G - II 2 D



FC04



FC06

Size	P2 Setting (mbar)	Filter regulator		Regulator	
		Codice Code		Codice Code	
1/2"	9÷28	FC02	010	RC02	010
	18÷40	FC02	020	RC02	020
	40÷110	FC02	030	RC02	030
	110÷150	FC02	040	RC02	040
	150÷200	FC02	050	RC02	050
	200÷600	FC02	060	RC02	060
3/4"	9÷28	FC03	010	RC03	010
	18÷40	FC03	020	RC03	020
	40÷110	FC03	030	RC03	030
	110÷150	FC03	040	RC03	040
	150÷200	FC03	050	RC03	050
	200÷600	FC03	060	RC03	060
1"	9÷28	FC04	010	RC04	010
	18÷40	FC04	020	RC04	020
	40÷110	FC04	030	RC04	030
	110÷150	FC04	040	RC04	040
	150÷200	FC04	050	RC04	050
	200÷600	FC04	060	RC04	060
1"1/4	8÷13	FC05	010	RC05	010
	13÷23	FC05	020	RC05	020
	20÷36	FC05	030	RC05	030
	33÷58	FC05	040	RC05	040
	55÷100	FC05	050	RC05	050
	90÷190	FC05	060	RC05	060
	190÷370	FC050022	020	RC050022	020
	370÷500	FC050022	030	RC050022	030
1"1/2	8÷13	FC06	010	RC06	010
	13÷23	FC06	020	RC06	020
	20÷36	FC06	030	RC06	030
	33÷58	FC06	040	RC06	040
	55÷100	FC06	050	RC06	050
	90÷190	FC06	060	RC06	060
	190÷500	FC060022	020	FC060022	020
	2"	8÷13	FC07	010	RC07
13÷23		FC07	020	RC07	020
20÷36		FC07	030	RC07	030
33÷58		FC07	040	RC07	040
55÷100		FC07	050	RC07	050
90÷190		FC07	060	RC07	060
190÷500		FC070022	020	RC070022	020

On request: Max pressure 2 bar



ALQEMAGROUP

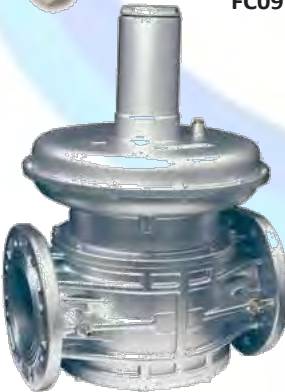
[www.alqemagroup.net](http://www.alqemagroup.net)

## Closing Gas Pressure Regulators And Regulators Type Frg/2mc - Rg/2mc

C

### STANDARD FEATURES

- **P.max : 1 bar**
- Threaded sizes version
- Version "0022" with reinforced diaphragm (for P2 > 200 mbar)
- P1 min: 0,5 bar



On request: Max pressure 2 bar

Attacco Size	P2 Taratura (mbar) Setting (mbar)	Filtroregolatore Filter regulator		Regolatore Regulator	
		Codice Code		Codice Code	
DN25	9÷28	FC25	010	RC25	010
	18÷40	FC25	020	RC25	020
	40÷110	FC25	030	RC25	030
	110÷150	FC25	040	RC25	040
	150÷200	FC25	050	RC25	050
	200÷600	FC25	060	RC25	060
DN32	8÷13	FC32	010	RC25	010
	13÷23	FC32	020	RC25	020
	20÷36	FC32	030	RC25	030
	33÷58	FC32	040	RC25	040
	55÷100	FC32	050	RC25	050
	90÷190	FC32	060	RC25	060
	190÷370	FC320022	020	RC320022	020
	370÷500	FC320022	030	RC320022	030
DN40	8÷13	FC40	010	RC40	010
	13÷23	FC40	020	RC40	020
	20÷36	FC40	030	RC40	030
	33÷58	FC40	040	RC40	040
	55÷100	FC40	050	RC40	050
	90÷190	FC40	060	RC40	060
	190÷370	FC400022	020	RC400022	020
	370÷500	FC400022	030	RC400022	030
DN50	8÷13	FC50	010	RC50	010
	13÷23	FC50	020	RC50	020
	20÷36	FC50	030	RC50	030
	33÷58	FC50	040	RC50	040
	55÷100	FC50	050	RC50	050
	90÷190	FC50	060	RC50	060
	190÷370	FC500022	020	RC500022	020
	370÷500	FC500022	030	RC500022	030
DN65	7÷18	FC08	010	RC08	010
	13÷27	FC08	020	RC08	020
	22÷58	FC08	030	RC08	030
	50÷130	FC08	040	RC08	040
	110÷200	FC08	050	RC08	050
	200÷600	FC080055	060	RC080055	060
DN80	7÷18	FC09	010	RC09	010
	13÷27	FC09	020	RC09	020
	22÷58	FC09	030	RC09	030
	50÷130	FC09	040	RC09	040
	110÷200	FC09	050	RC09	050
	200÷600	FC090055	060	RC090055	060
DN100	7÷16	FC10	010	RC10	010
	15÷27	FC10	020	RC10	020
	27÷55	FC10	030	RC10	030
	55÷130	FC10	040	RC10	040
	130÷200	FC10	050	RC10	050
	200÷600	FC100055	060	RC100055	060



ALQEMAGROUP

[www.alqemagroup.net](http://www.alqemagroup.net)

## Closing Gas Pressure Regulators And Regulators Type Frg/2mcs- Rg/2mcs

### STANDARD FEATURES

- **P<sub>max</sub> : 3 bar**
- Threaded or flanged sizes
- Standard version
- **Q<sub>max</sub> : 100 m<sup>3</sup>/h**
- P<sub>1 min</sub> : 0,5 bar



FCS04



Output pressure range P2 (mbar)	Differential relief range (mbar)
20÷30	10÷20
30÷90	10÷20
90÷170	10÷20
20÷30	20÷40
30÷90	20÷40
90÷170	20÷40
20÷30	50÷60
30÷90	50÷60
90÷170	50÷60
20÷30	10÷20
30÷90	10÷20
90÷170	10÷20
20÷30	20÷40
30÷90	20÷40
90÷170	20÷40
20÷30	50÷60
30÷90	50÷60
90÷170	50÷60
20÷30	10÷20
30÷90	10÷20
90÷170	10÷20
20÷30	20÷40
30÷90	20÷40
90÷170	20÷40
20÷30	50÷60
30÷90	50÷60
90÷170	50÷60

Size	Filter regulator	Regulator	Size	Filter regulator	Regulator
	Threaded sizes			Flanged sizes	
	Cod			Cod	
1/2"	FCS02 110	RCS02 110	DN15	FCS15 110	RCS15 110
	FCS02 120	RCS02 120		FCS15 120	RCS15 120
	FCS02 130	RCS02 130		FCS15 130	RCS15 130
	FCS02 210	RCS02 210		FCS15 210	RCS15 210
	FCS02 220	RCS02 220		FCS15 220	RCS15 220
	FCS02 230	RCS02 230		FCS15 230	RCS15 230
	FCS02 310	RCS02 310		FCS15 310	RCS15 310
	FCS02 320	RCS02 320		FCS15 320	RCS15 320
	FCS02 330	RCS02 330		FCS15 330	RCS15 330
	3/4"	FCS03 110		RCS03 110	DN20
FCS03 120		RCS03 120	FCS20 120	RCS20 120	
FCS03 130		RCS03 130	FCS20 130	RCS20 130	
FCS03 210		RCS03 210	FCS20 210	RCS20 210	
FCS03 220		RCS03 220	FCS20 220	RCS20 220	
FCS03 230		RCS03 230	FCS20 230	RCS20 230	
FCS03 310		RCS03 310	FCS20 310	RCS20 310	
FCS03 320		RCS03 320	FCS20 320	RCS20 320	
FCS03 330		RCS03 330	FCS20 330	RCS20 330	
1"		FCS04 110	RCS04 110	DN25	
	FCS04 120	RCS04 120	FCS25 120		RCS25 120
	FCS04 130	RCS04 130	FCS25 130		RCS25 130
	FCS04 210	RCS04 210	FCS25 210		RCS25 210
	FCS04 220	RCS04 220	FCS25 220		RCS25 220
	FCS04 230	RCS04 230	FCS25 230		RCS25 230
	FCS04 310	RCS04 310	FCS25 310		RCS25 310
	FCS04 320	RCS04 320	FCS25 320		RCS25 320
	FCS04 330	RCS04 330	FCS25 330		RCS25 330

On request: Max pressure 5 bar




**ALQEMAGROUP**

[www.alqemagroup.net](http://www.alqemagroup.net)


## Pressure Gauges

C


### PRESSURE GAUGE ABS RADIAL CONNECTION

Cod.	Ø 50 mm attacco G 1/4" SCALA / Scale		Cod.	Ø 63 mm attacco G 1/4" SCALA / Scale
A220401	0-4 bar		A320301	0-2,5 bar
A220601	0-6 bar		A320401	0-4 bar
A221001	0-10 bar		A320601	0-6 bar
A221601	0-16 bar		A321001	0-10 bar
A222501	0-25 bar		A321601	0-16 bar
			A322501	0-25 bar
			A324001	0-40 bar

### MEMBRANE GAUGE CHROMATE STEEL CASE RADIAL CONNECTION

Cod.	Ø 63 mm attacco G 1/4" B SCALA / Scale		Cod.	Ø 80 mm attacco G 3/8" B SCALA / Scale
P354410	0-60 mbar		P454411	0-60 mbar
P354810	0-100 mbar		P454811	0-100 mbar
P356010	0-250 mbar		P456011	0-250 mbar
P356610	0-400 mbar		P456611	0-400 mbar
P357010	0-600 mbar		P457011	0-600 mbar
P357210	0-1000 mbar		P457211	0-1000 mbar

### PRESSURE GAUGE WITH GLYCERINE INOX CASE RADIAL CONNECTION

Cod.	Ø 63 mm attacco G 1/4" B Scale		Cod.	Ø 100 mm attacco G 1/2" B Scale
E340114LF	0-1 bar		E540116LF	0-1 bar
E350314LF	0-2,5 bar		E550316LF	0-2,5 bar
E350414LF	0-4 bar		E550416LF	0-4 bar
E350614LF	0-6 bar		E550616LF	0-6 bar
E351014LF	0-10 bar		E551016LF	0-10 bar
E351214LF	0-12 bar		E551216LF	0-12 bar
E351614LF	0-16 bar		E551616LF	0-16 bar
E352014LF	0-20 bar		E552016LF	0-20 bar
E352514LF	0-25 bar		E552516LF	0-25 bar

### MEMBRANE GAUGES Ø 100 mm CHROMATE STEEL CASE RADIAL CONNECTION

Cod.	Ø 100 mm attacco G 1/2" B Scale
P554412	0-60 mbar
P554812	0-100 mbar
P556012	0-250 mbar
P556612	0-400 mbar
P557012	0-600 mbar
P55721200	0-1000 mbar





## High Pressure Reduction Line For Small Tank

- Inlet Pressure: 2,5/18 bar
- Outlet pressure: 1,5 or 0,5 bar
- HP / Dival regulators
- Shut off valves



Regolatore HP 100  
H100 regulator



Regolatore DIVAL DIVAL  
regulator

Cod.	Blocchi Shut off	Flow (Kg/h) in natural gas phase with inlet pressure (P.e. min) = 2,5 bar		Flow (Kg/h) with gas from vaporizer with inlet pressure (P.e. min) = 5 bar	
		Outlet pressure (P.u.) = 0,5	Outlet pressure (P.u.) = 1,5	Outlet pressure (P.u.) = 0,5	Outlet pressure (P.u.) = 1,5

### HIGH PRESSURE - SINGLE LINE - CIVIL USE

KOC08Q10110	si / yes	100	100	100	100
KOC08Q101D0	si / yes	100	100	100	100

left cap and elbow for soldering

### HIGH PRESSURE - SINGLE LINE - INDUSTRIAL USE

KOI22A00110	-	190	140	200	280
KOI28A001D0	-	210	320	360	420
KOI32A00110	-	260	420	480	600

## High Pressure Reduction Line For Big Tanks

### HIGH PRESSURE - SINGLE LINE - WITH MANIFOLD

Cod.	Blocchi Shut off	Flow (Kg/h) in natural gas phase with inlet pressure (P.e. min) = 2,5 bar		Flow (Kg/h) with gas from vaporizer with inlet pressure (P.e. min) = 5 bar	
		Pressione di uscita/Outlet pressure (P.u.) = 0,5	Pressione di uscita/Outlet pressure (P.u.) = 1,5	Pressione di uscita/Outlet pressure (P.u.) = 0,5	Pressione di uscita/Outlet pressure (P.u.) = 1,5
KOI22A01110	-	190	140	200	280
KOI28A011D0	-	210	320	360	420
KOI32A01110	-	260	420	480	600
KOIXA01110	-	1400	1420	2100	2390
KOI22A11110	si / yes	190	140	200	280
KOI28A111D0	si / yes	210	320	360	420
KOI32A11110	si / yes	260	420	480	600
KOIXA11110	si / yes	1400	1420	2100	2390





ALQEMAGROUP

[www.alqemagroup.net](http://www.alqemagroup.net)



HP monitor + regulator

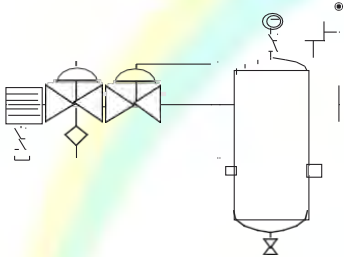


**WITH MONITOR AND REGULATORS**

C

Portata (Kg/h) in fase gas naturale con pressione di entrata <i>Flow (Kg/h) in natural gas phase with inlet pressure (P.e. min) = 2,5 bar</i>	Portata (Kg/h) con gas da vaporizzatore con pressione di entrata <i>Flow (Kg/h) with gas from vaporizer with inlet pressure (P.e. min) = 5 bar</i>
---	--

Cod.	Monitor with shut off	Regulator with Shut off	Outlet pressure ( P.u. ) = 0,5 bar	
KOC08Q11110	-	si / yes	100	100
KOC08Q111D0	-	si / yes	100	100
KOC16Q111M0	yes		190	200
KOC25Q111M0	yes		210	360
KOC29Q111M0	yes		260	480
KOCXQ111M0	yes		1400	2100



DILOCK

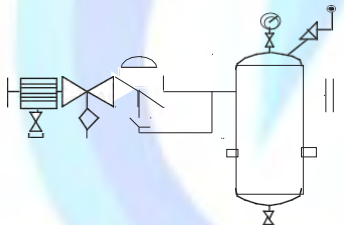


DIVAL

**WITH DILOCK AND REGULATOR**

<i>in natural gas phase with inlet pressure (P.e. min) = 2,5 bar</i>	<i>with gas from vaporiz with inlet pressur (P.e. min) = 5 bar</i>
--	--

Cod.	Dilock Shut off valve	Regulator with Shut off	Outlet pressure ( P.u. ) = 0,5 bar	
KOC16Q11110	si / yes	si / yes	190	200
KOC25Q11110	si / yes	si / yes	210	360
KOC29Q11110	si / yes	si / yes	260	480
KOCXQ11110	si / yes	si / yes	1400	2100





ALQEMAGROUP

[www.alqemagroup.net](http://www.alqemagroup.net)

C

# High pressure regulator



HI 611B



HI 612



HI 609



HI 604



HI 610



HI 606



HI 688



HI 610B



HI 615



HI 628



HI 606



ALQEMAGROUP

[www.alqemagroup.net](http://www.alqemagroup.net)

C

# Pipe regulator / Natural gas regulator



HP 505



HP 501



HP 502



HP 504



HP 510



HP 503



HP 506



HP 700



HP 250



HP 425



HP425S



HP 888



ALQEMAGROUP

[www.alqemagroup.net](http://www.alqemagroup.net)

C

# Low pressure regulator



HM 801



HM 802



HM 802T



HM 803



HM 888A



HM 804



HM 804T



HM 325



HM 322



HM 888



HM 805



HM 828



ALQEMAGROUP

[www.alqemagroup.net](http://www.alqemagroup.net)

C



HM 316



HM 317



HM 318



HM 319



HM 401



HM 140



HM 105



HM258S



HM 160



HM 180



HM 804S



HM308S



HM 188



HM 401C



HM 106



HM 378



HM 401S



HM150



HM 828T



HM 108



HM 198



# Low pressure regulator



HF 356



HF 300B



HF 357



HF 314B



HF 311



HF 309



HF 326



HF 308



HF 351



HF 107



HF 304



HM 218



ALQEMAGROUP

[www.alqemagroup.net](http://www.alqemagroup.net)

C



HI 170



HI 180



HI 210



HI261B



HI 255



HI 265



HI 290



HI272B



HI 295



HI 601



HI 603



HI 602B



HI 601B



HI 603B



HI 628



HI 618



HI 608



HI 505



HI505N



HI 507



ALQEMAGROUP

[www.alqemagroup.net](http://www.alqemagroup.net)

C

# Gas fitting



HF 012



HF 013



HF 015



HF 016



HF 017



HF 018



HD 001



HD 002



HD 003





ALQEMAGROUP

[www.alqemagroup.net](http://www.alqemagroup.net)

C



HF 031



HF 030



HF213



HF 010



HF 011



HK 300



HK 200



HK 201



HV 001



HV 002



HV 003



HV 004



HV 005



HV 006



HF 007



HF 008



HF009



ALQEMAGROUP

[www.alqemagroup.net](http://www.alqemagroup.net)

C

# Low pressure regulator



HM 430



HM 802B



HM 668B



HM 340B



HM 608B



HM 170B



HM 105B



HM 804B



HM 329



HM 170



HM 145



HM 198



ALQEMAGROUP

[www.alqemagroup.net](http://www.alqemagroup.net)

C



JYT0.6-C



JYT0.6-D



HF 355



HF304



HF 801



HF 806



HF 107



HF 198



HF 303



HF 301



HF 200



HF 218



HF 316



HF 302



HF 307



HF252B



HF 450



HF 312



HF 313



ALQEMAGROUP

[www.alqemagroup.net](http://www.alqemagroup.net)

## High pressure regulator HM701

c



ZYT(701)-C



ZYT(701)-E



HM 701



HM 710



HM 711



HM 701S



HM 701M



HM 702



HM 701D-B



HM 708C



HM 168



HM 801



HF 718



HF 701B



HM 706



HM309



HM643



ALQEMAGROUP

[www.alqemagroup.net](http://www.alqemagroup.net)

C



ZYF701-C



ZYF701D-B



ZYF701-E



ZYF701D



ZYF701D-S



ZYF701-F



JYT-0.6-C



JYT-0.6-D



HI255



HI610



HP272



FYZ-1.2-A



GDF(505)



GDF(425)



GDF(888)

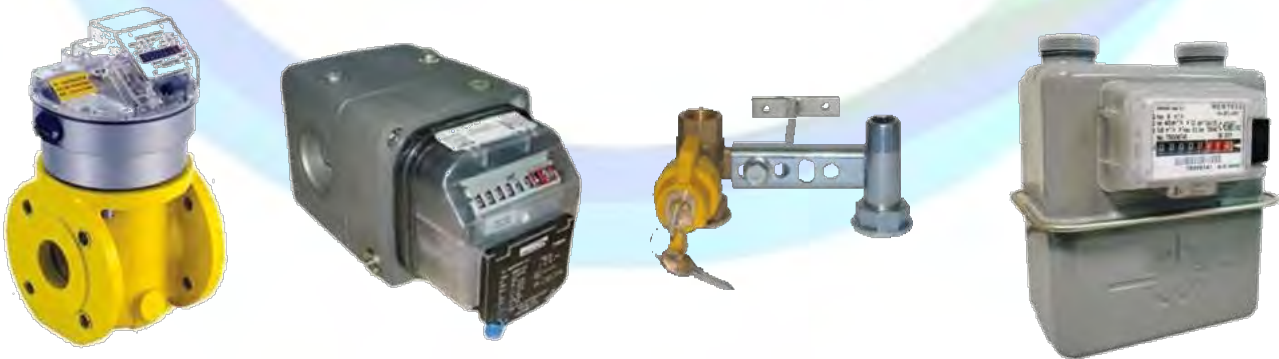


ALQEMAGROUP

[www.alqemagroup.net](http://www.alqemagroup.net)

## Gas Meters

# Section D





## Residential diaphragm gas meters G 1.6/ G2.5/ G4

(Temperature compensation available: Model G1.6T / G2.5T / G4T)

D



### Applications

Media: Natural gas, town gas, propane, butane, air. Tasks: Gas measurement at operating conditions.

### Brief information

QK2000, QK3000 and QK4000 series G1.6/ G2.5/ G4 residential diaphragm gas meters are new types of measuring meters designed and manufactured by QWKROM, which introduced and absorbed Germany ELSTER advanced technology/manufacturing & test equipment; this series of gas meters have high accuracy, high reliability and stable measurement errors, also they have anti-reverse, gas theft features, the products technology has reached the international advanced level, the performance indicators are in line with the requirements of EN1 359 & OIML.

**QK2000** : Steel housings, elegant in design, high sensitivity and measurement accuracy, stable performance, safety and reliability, long-term operation and a wide range of suitable temperament; designed service life of 12 years; in line with requirements of GB / T6968-201 1, JJG577-201 2 and OIML R31-1995.

**QK3000** Steel housings, unique patented K-system error adjustment device, the core components are imported from Germany; designed service life of 25 years; Certification: OIML/EN1359.

**QK4000** : Aluminum housings, withstand high pressure, corrosion-resistant; unique patented K-system error adjustment device, the core components are imported from Germany; designed service life of 25 years; certification: OIML/EN1359.

### Operating principle:

Four measuring chambers are separated by synthetic diaphragms. The chambers are filled and emptied periodically, and the movement of the diaphragms is transferred via a gear to the crankshaft. This shaft moves the valves, which control the gas flow. The rotations of the gear are transferred via a magnetic or mechanical coupling to the index.

The temperature compensation facility of the T-Versions ensures via a bimetallic element that the stroke of the diaphragms is adapted to the current gas temperature.

### Main features

Approved to EN 1359 by German DVGW

- Flow rates from G1.6 : 0.016 M<sup>3</sup> /h to 2.5 m<sup>3</sup> /h G2.5: 0.025 M<sup>3</sup> /h to 4 m<sup>3</sup>/h G4: 0.04 M<sup>3</sup> /h to 6 M<sup>3</sup> /h
- Cyclic Volume 1.2 liters
- Min. reading: 0.2 dm<sup>3</sup>
- Max. reading: 99999.999 m<sup>3</sup>
- The Max. permissible errors: G1.6/ G2.51 G4 qminq<0.1qmax ±3% 0.1qmaxq<qmax ±1.5% G1 .61/ G2.5T1 G4T qminq<0.1qmax ±3.5% 0.1qmaxq<qmax ±2%
- Max. working pressure: QK2000/3000(G1 .6/ G2.51 G4): 50kPa QK4000(G1.61 G2.51 G4): 150kPa

QK2000/3000(G1 .6/ G2.51 G4): 50kPa

QK4000(G1.61 G2.51 G4): 150kPa

QK2000(G1 .61/ G2.5T1 G4T): 50kPa

QK3000(G1.6T/ G2.51T G41): 50kPa

QK4000(G1 .6T1 G2.5T1 G4T): 150kPa

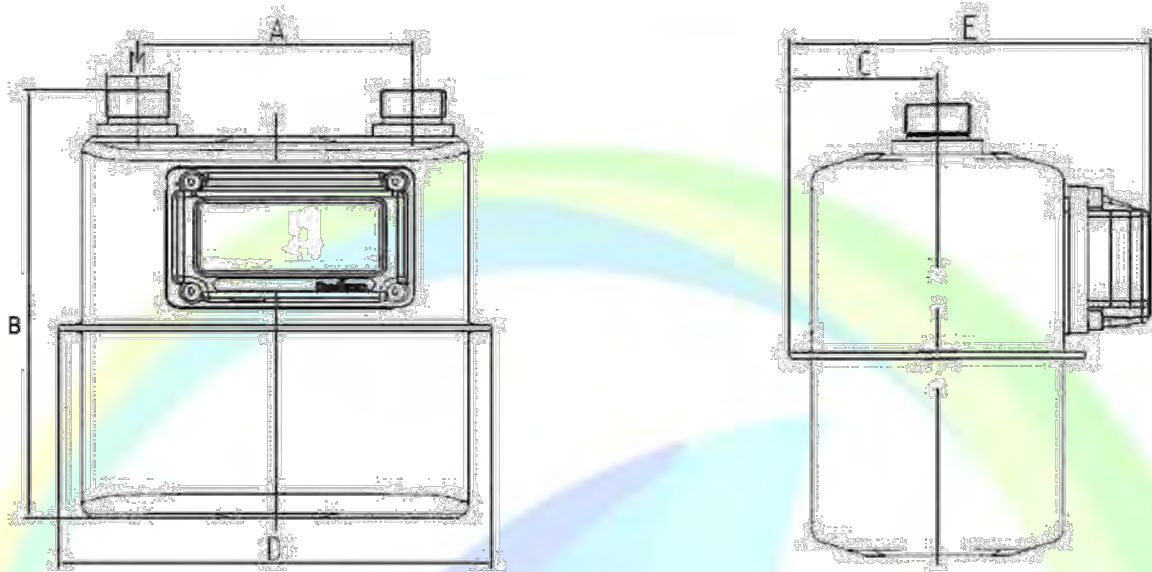
- Total pressure loss: G1.61 G2.51 G4: 18OPa G1.611 G2.5T1 G4T: :5200Pa
- Precision level: level 1.5
- High accuracy and long-term stability
- Operation temperature: G1.6/ G2.5/ G4: -25 °C to +55°C G1 .6T/ G2.511 G41: -10 °C to +40°C



**ALQEMAGROUP**

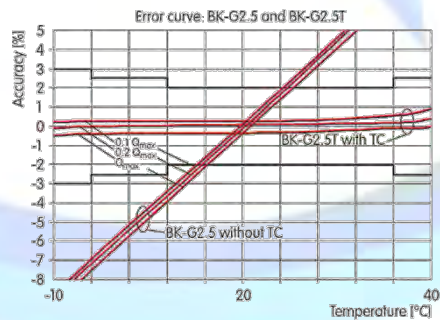
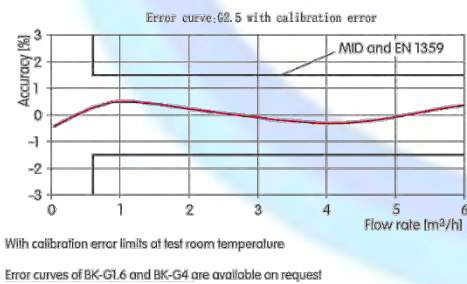
**Dimension and wieght**

D

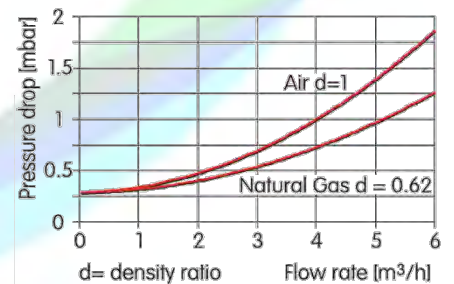


Series	Model	Dimension (mm)						Weight kg
		A	B	C	D	E	M	
QK2000	G1.6/G1.6T	110/130	221	67	205	160	M30X2	1.9
	G2.5/G2.5T	110/130	221	67	205	160	M30X2	1.9
	G4/G41	110/130	221	67	205	160	M30X2	1.9
QK3000	G1.6/G1.6T	110/130	221	67	193/205	157	M30X2	1.9
	G2.5/G2.5T	110/130	221	67	193/205	157	M30X2	1.9
	G4/G41	110/130	221	67	193/205	157	M30X2	1.9
QK4000	G1.6/G1.6T	130	217	72	207	163	M30X2	1.8
	G2.5/G2.5T	130	217	72	207	163	M30X2	1.8
	G4/G41	130	217	72	207	163	M30X2	1.8

Error curve:



Pressure drop curve:







## Commercial Diaphragm gas meters G6-G 100

(\*Temperature compensation available: G6T-G100T)



### Applications:

Media: Natural gas, town gas, propane, butane, air. Tasks: Gas measurement at operating conditions.

### Brief information

QK2000 and QK4000 series Commercial gas meters are kind of multi-flow commercial gas meter. The two series gas meters comes from technology of German, and combines our 30 years research & experiences. The QK3000 series is imported from Germany. The three series gas meters have high accuracy, high reliability and stable measurement errors, also they have anti-reverse, anti- theft features, the products technology has reached the international advanced level, the performance indicators are in line with the requirements of EN1 359 & OIML.

**QK2000** : Steel housings, elegant in design, high sensitivity and measurement accuracy, stable performance,safety and reliability, long-term operation and a wide range of suitable temperament; designed service life of 12 years; in line with requirements of GB! T6968-2011, JJG577-2012 and OIML R31-1995.

**QK3000** : Steel housings, imported from Germany Elster company, designed service life of 25 years; in line with requirements of OIML/EN1 359.

**QK4000** : Aluminum housings, withstand high pressure, corrosion-resistant; unique patented K-system error adjustment device, the core components are imported from Germany; designed service life of 25 years; Certification: OIML/EN1359.

### Operation principle:

Four measuring chambers are separated by synthetic diaphragms. The chambers are filled and emptied periodically, and the movement of the diaphragms is transferred via a gear to the crankshaft. This shaft moves the valves, which control the gas flow. The rotations of the gear are transferred via a magnetic or mechanical coupling to the index.

The temperature compensation facility of the T-Versions ensures via a bimetallic element that the stroke of the diaphragms is adapted to the current gas temperature.

### Main features

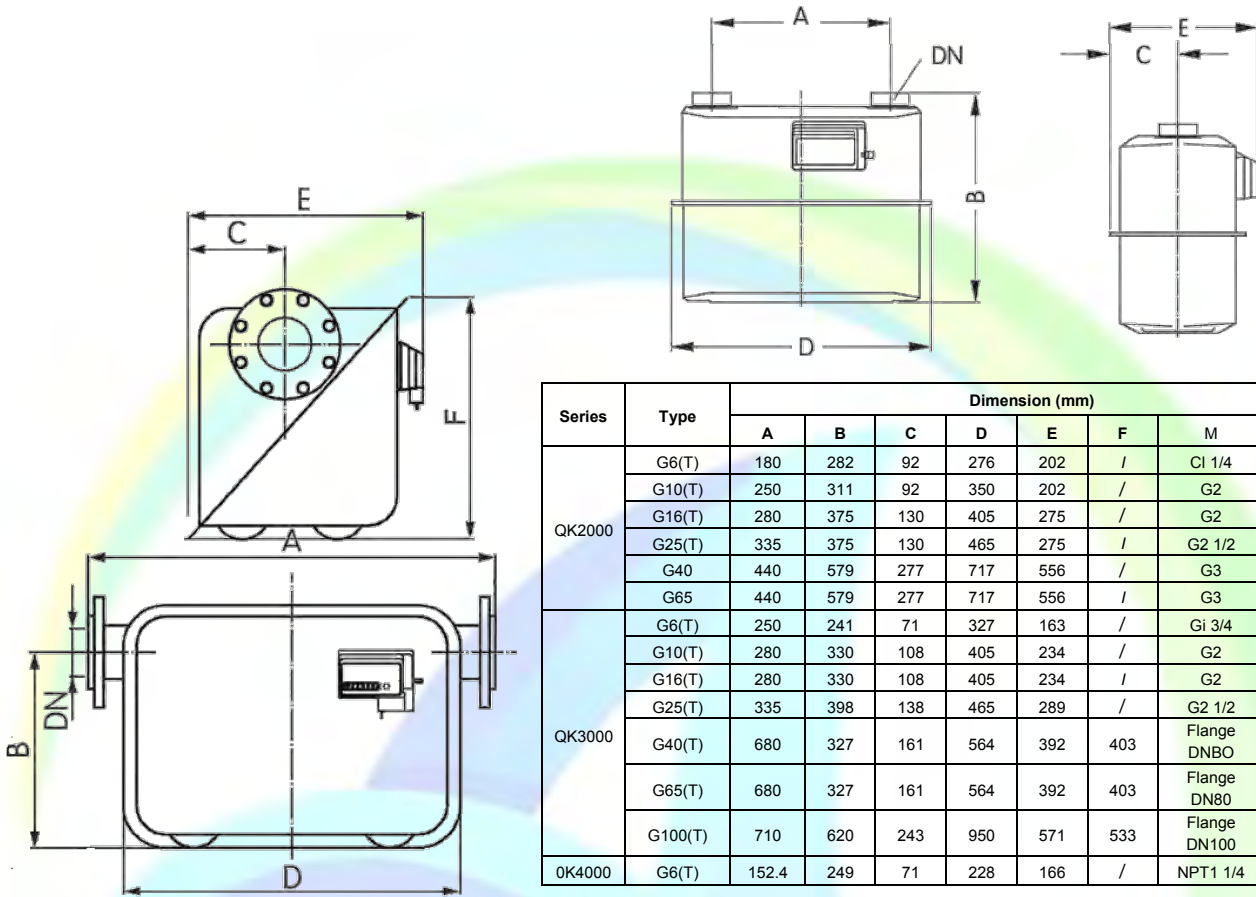
- Flow rates from
  - G6(T) :0.06 m<sup>3</sup>/h to 10 m<sup>3</sup>/h
  - G10(T) : 0.1 m<sup>3</sup>/h to 16 m<sup>3</sup>/h
  - G16(T) : 0.16 m<sup>3</sup>/h to 25 m<sup>3</sup>/h
  - G25(T) : 0.25 m<sup>3</sup>/h to 40 m<sup>3</sup>/h
  - G40(T) : 0.40 m<sup>3</sup>/h to 65 m<sup>3</sup>/h
  - G65(T) : 0.65 m<sup>3</sup>/h to 100 m<sup>3</sup>/h
  - G100(T): 1.00 m<sup>3</sup>/h to 160 m<sup>3</sup>/h
- Cyclic Volume:
  - QK2000(T)
    - G6-G10: 3.5 dm<sup>3</sup>
    - G16-G25:11 dm<sup>3</sup>
    - G40:22 dm<sup>3</sup>
    - G65:44 dm<sup>3</sup>
  - QK3000:
    - G6: 2dm<sup>3</sup>
    - G10-G16:6 dM3 G25:12 d M3
    - G40:18 dM3 G65:24 dm<sup>3</sup> G100: 48dm<sup>3</sup>
    - G10T-G16T:5,6 dm<sup>3</sup> G25T: 11,2dm<sup>3</sup>
    - G40T: 16,8 dm<sup>3</sup> G65T: 22,4 dm<sup>3</sup>
    - G100T: 44,8 dm<sup>3</sup>
  - QK4000(T): G6:2 dm<sup>3</sup>
- The Max. permissible errors:
  - qminq<0.1qmax ±3%
  - 0.1qmaxq<qmax ±1.5%
- Maximum working pressure(T):
  - QK2000(G6-G65): 30kPa
  - QK3000(G6-G1 00): 50kPa
  - QK4000(G6): 1 50kPa
- Total pressure loss(T): G6: :5200Pa G10-G40: 300Pa G65-G100: 400Pa
- Working Temperature: G6-G100: -25 °C to +55°C G6T-G100T: -10 °C to +40°C



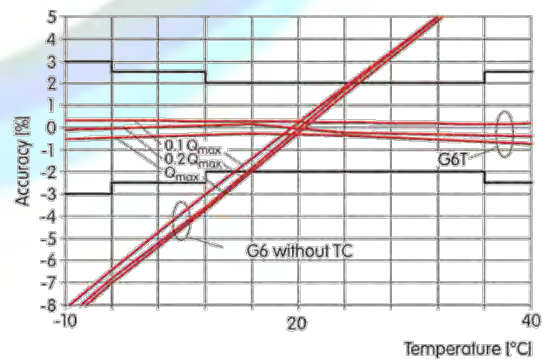
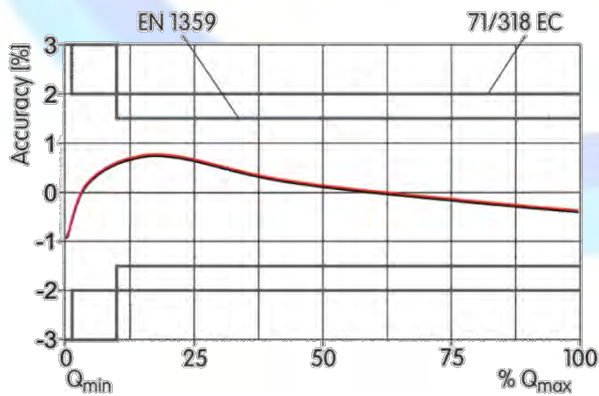
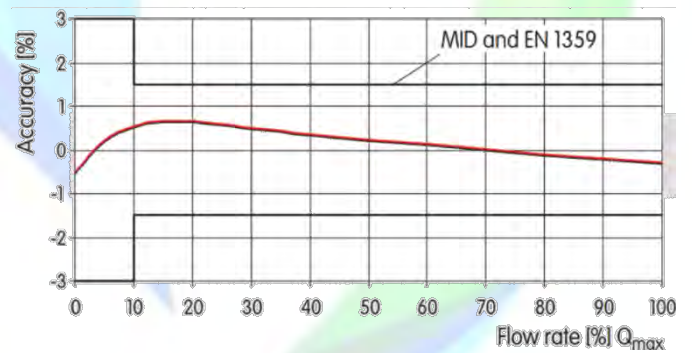
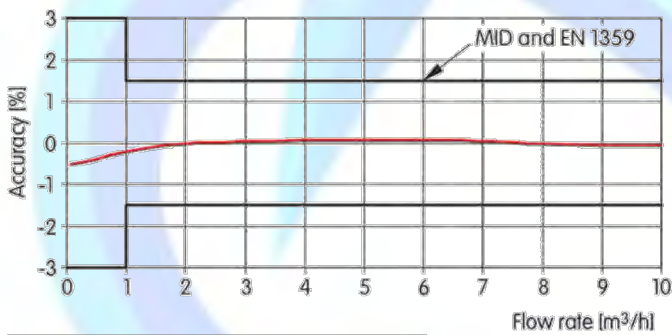
**ALQEMAGROUP**

**Dimension and weight**

D



**Error curve**





ALQEMAGROUP

[www.alqemagroup.net](http://www.alqemagroup.net)

D

## IC Card prepayment residential diaphragm

Support stage prepayment billing & temperature compensation (\*GG1.6/G2.5/G4)



### Applications:

Media: Natural gas, town gas, propane, butane, air.

Tasks: Gas measurement at operating conditions.

### Brief information

IC card prepay gas meter is a smart gas metering device which is combined the application of computer technology, electronic technology and mechanical structures. The meter index equipped with magnet to transmit pulses signals. (Signal data: 0.1m<sup>3</sup>/p)The smart system includes flow signal module, IC card control module, LED display module, valve control module and power control module. It has the basic functions of gas meter and transmit data as well.

**QK2000IC card** : Steel housing, it is composed by QK2000 series meter and IC smart control systems; designed service life of 12 years; in line with requirements of GB/T6968-2011, JJG577-2012 and OIML R31-1995.

**QK0001C card** : Steel housing, it is composed by QK3000 series meter and IC smart control systems; designed service life of 25 years; in line with requirements of OIML/EN 1359.

**QK4000IC card** : Aluminum housing, it is composed by QK4000 series meter and IC smart control systems; designed service life of 25 years; in line with requirements of OIML/EN 1359.

### Main features:

- Working voltage: 4.5V (Three pcs Alkaline batteries)
- Maximum working pressure: QK20001300014000(G1 .6/ G2.5/ G4): 10kPa
- Total pressure loss: G1.61 G2.51 G4: 250Pa
- Valve open /cut-off working times: 5000 times
- Water-proof: 1P65/1P54
- Ant-explosion certificate type: ExibII BT3
- Other mechanical features are same as basic diaphragm meters

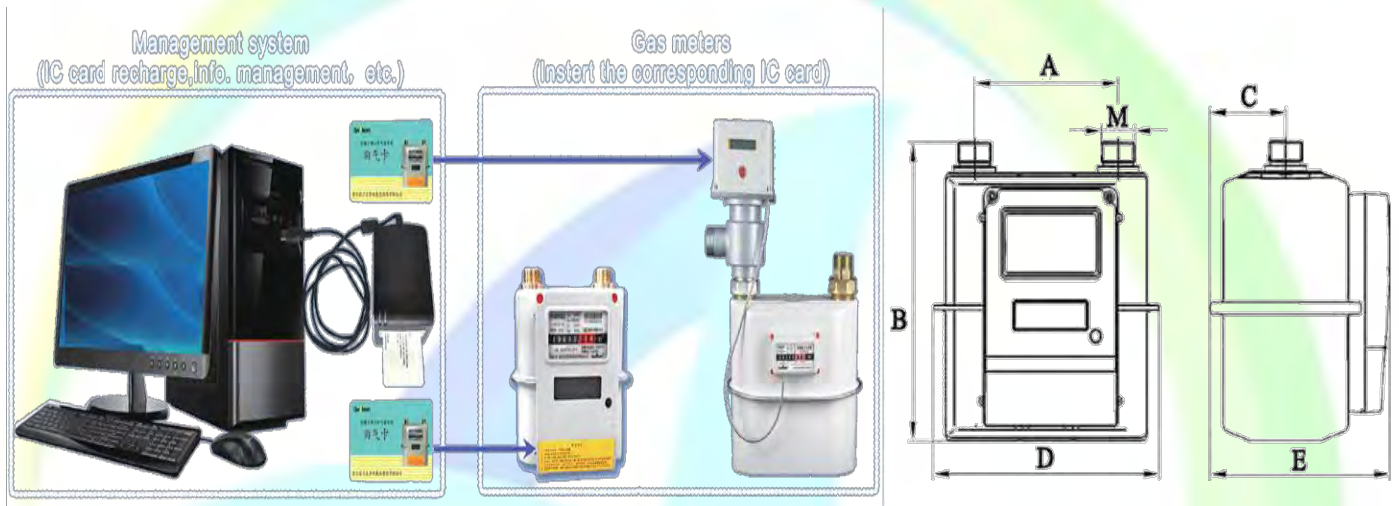
### Main functions:

- Support stage prepayment
- Data encryption: the card only applicable for card reader authorized by gas company
- Overdrawn billing can be saved in card: the user's overdrawn billing will be saved in card automatically when no balance gas left but valve failed cut-off



### Operation principle

The smart card reader and the PC with the software installed are to be allocated at management office. Customer will top up the amount using the IC card / Payment card via computer sales system. The first time purchasing will input the customer details. One card is specialized for one meter and user. The card can be used repeatable.



### Dimension and weight

Series	Type	Dimension(mm)						Weight kg
		A	B	C	D	E	M	
QK2000	G1.6	110/130	221	67	205	160	M30x2	1.9
	G2.5	110/130	221	67	205	160	M30x2	1.9
	G4	110/130	221	67	205	160	M30x2	1.9
OK3000	G1.6	110/130	221	67	193/205	157	M30x2	1.9
	G2.5	110/130	221	67	193/205	157	M30x2	1.9
	G4	110/130	221	67	193/205	157	M30x2	1.9
QK4000	G1.6	90	135	48.1	170	137.3	M30x2	1.8
	G2.5	90	135	48.1	170	137.3	M30x2	1.8
	G4	90	135	48.1	170	137.3	M30x2	1.8



# AMR Smart Gas Meters G 1.6/ G2.5/ G4

(\*Wireless /IC card Pre-Payment & Operation System/ temperature compensation)

## Applications

Media: Natural gas, town gas, propane, butane, air.  
Tasks: Gas measurement at operating conditions.

## Brief information

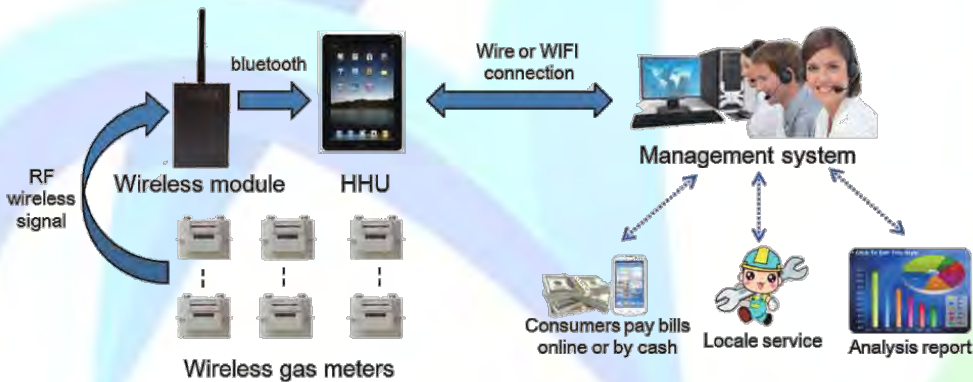
This smart gas meter is composed by diaphragm gas meter, flow signal module, wireless radio transmission module, IC card control model, display module, valve control module and power control module. It has the basic function of diaphragm gas meter and data transfer/ back-stage management system as well. It is equipped battery is safe and convenient, standard is based on EN1359&OIML.



## Main Features

Wireless reading • real-time monitoring • prepayment and post payment. long-distance valve control • real-time price adjustment• multi-step charging • management system

**Operation mode NO.1--- Walk-by:** this system is composed by--wireless gas meters, wireless module (Bluetooth &RF module), hand holder unit (Pad or cellphone), management system (computer, support: Windows and Android system).



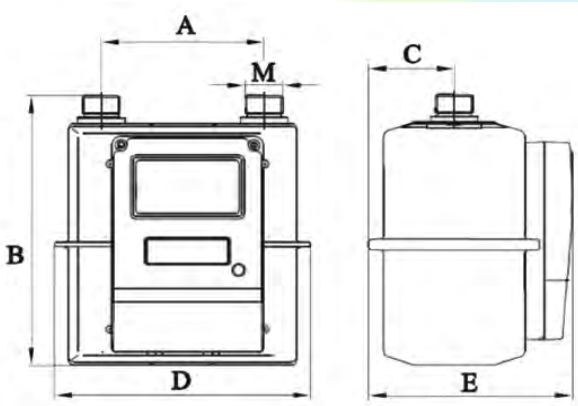
**Operation mode NO.2 --- GPRS long-distance:** this system is composed by--wireless gas meter, concentrator (with RF&GPRS module), public network or mobile network with GPRS, management system (computer, PAD or cell phone, support: Windows and Android system)





**With IC card pre-payment system**

The IC card can realize reliable prepayment and support staged billing. It can act as a clock to realize 4 staged prepayment billing in the period of 12 months. The gas consumption data in the recent 60 days and monthly data within 10 years can be stored as well.



Type	Connection		Dimension (mm)					Weight kg
	DN	Thread (M)	A	B	C	D	E	
G1.6	20	30X2134X1.5	130	221	67	205	157	1.9
G2.5	20	30X2134X1.5	130	221	67	205	157	1.9
G4	20	30X2134X1.5	130	221	67	205	157	1.9

Item	Unit	Parameter		
		G1.6	G2.5	G4
Total pressure Loss	Pa	250		
Operation pressure Loss	kPa	0.510		
Mm. recording Numeric	dm <sup>3</sup>	0.2		
Max. recording Numeric	m <sup>3</sup>	99999.999		
Operation temperature	'C	-10 to +40		
Sleep Current	ItA	<50		
Valve Reliability	times	Continuous switching frequency is not less than 5000 times		
<b>The main technical parameters of RF (radio frequency) as following:</b>				
Wireless spectrum	470MHz (Optional :137-'230MHz,418455MHz,868MHz,915MHz)			
Stand by current: <4011A	Transmit power:		17dBm	
Emission current: 87mA	Receiving current:		11.5mA	
Receiver sensitivity: -136dBm	Modulation:		LORaTM	
Open communication distance:	<5000m			



## IOT smart gas meters G 1.6 /G2.5/G4

(\* wireless reading/valve control (operation system/Temperature compensation available)

### Applications

Media: Natural gas, town gas, propane, butane, air.

Tasks: Gas measurement at operating conditions.

### Brief information

The IOT-GPRS smart gas meter system developed by QWKROM is user-friendly and easy to operate. With the scheme of modular design and open software architecture, it has a powerful statistical analysis capability, supports a variety of modes of payment and provides perfect multi-step gas price solution; with support for multiple interactive modes, it can easily realize the docking with the mobile platforms such as mobile phone APP and We-Chat; with big data processing ability, it can provide reliable system support for the daily operation and management of gas companies. Standard is based on ENI 359&OIML.

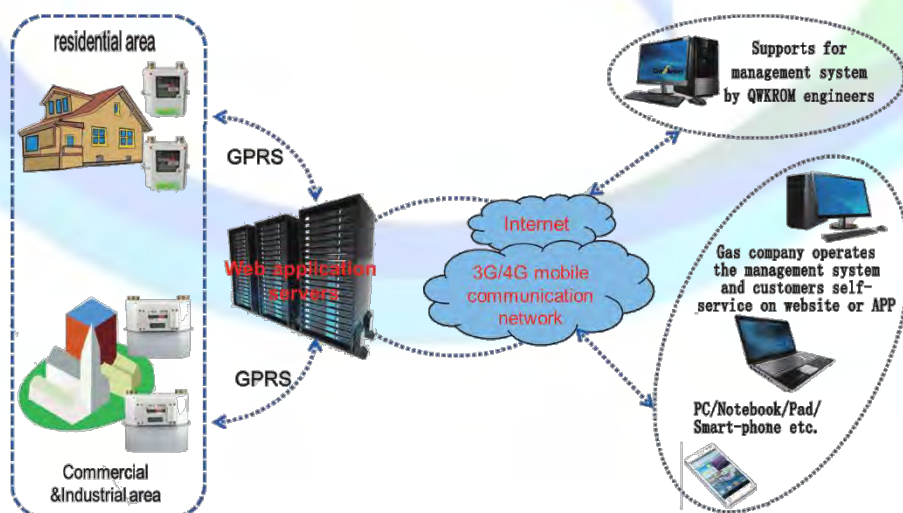


### Main Features

Wireless reading • real-time monitoring • pre-payment & post payment • long-distance valve control • abnormality alarm • real-time price adjustment • multi-step charging • management system

### Operation Principle

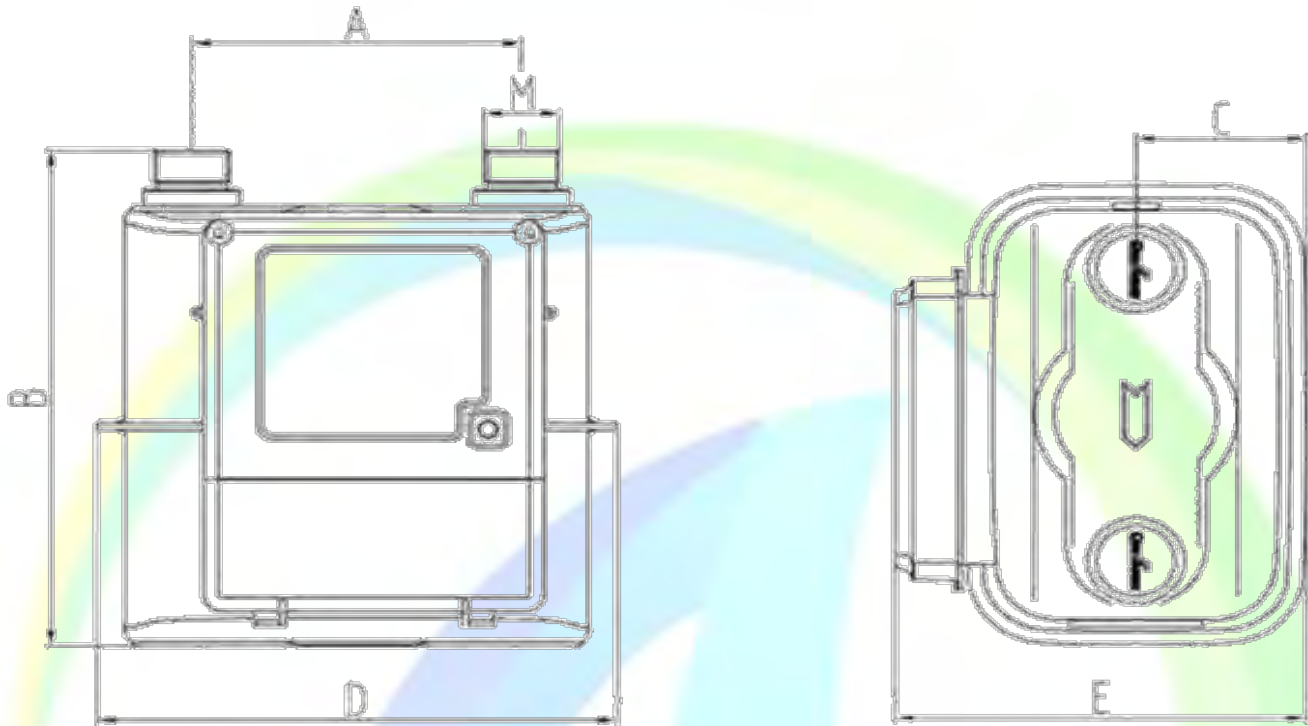
The system consists of IOT gas meters, operating platform and other components, in daily use process, the IOT smart gas meters automatically send the measure information and operating status (battery power, valve status, malicious attacks on the meter) information to the information management center and data server through the built-in GPRS module, which using mobile Internet, then the server receives the data will return a response data, by this process to achieve two-way communication. Users can use APP, convenience stores, online banking for real-time net-work recharge. After the success of remote recharge, the SMS service platform will send the recharge success information to the users' mobile phone. And the users can achieve real-time interaction with the gas company through the APP.





Dimension, Technical parameter

D



Type	Connection	Dimension (mm)					Weight(kg)
	Thread (M)	A	B	C	D	E	
G1.6 G2.5 G4	30×2 / 34×1.5	130	221	67	205	162	1.9

G1.6 / G2.5 / G4 technical parameter		
Item	unit	Parameter
Total pressure loss	Pa	≤250
Operation pressure	kPa	0.5~10
Min. recording Numeric	dm <sup>3</sup>	0.2
Max. recording Numeric	m <sup>3</sup>	99999.999
Operation temperature	°C	-10 to +40
Sleep Current	μA	<20
Valve Reliability	times	Continuous switching frequency is not less than 5000 times
Power supply: three pcs alkaline electric batteries(external) + one pc lithium battery (built-in)		
Operation voltage: 4.5 (AA1.5x3)	way of communication: GPRS	
Operation current (average): <200 mA	A one-time success rate of meter reading: ≥99%	
Clock error: <10 S/M	Data reading accuracy: ≥99%	





## NFC Smart Gas Meters G 1.6/ G2.5/ G4

(\*Temperature compensation available)

### Applications

Media: Natural gas, town gas, propane, butane, air.

Tasks: Gas measurement at operating conditions.

### Brief information

Household NFC smart gas meter is a new generation gas meter which R & D on the basis of present electronic technology, this gas meter in addition to gas volume metering function, but also with the function of measurement data electromechanical conversion, NFC data transmission, backstage management and other functions, that is based on EN1359 and OIML and other domestic and international standards.



### Main Features

- Simple & Smart-the NFC gas meter only need to add an NFC intelligent module based on the basic diaphragm gas meter, then can carry out long-distance wireless reading via smart phone or handheld equipment, the installation process is the same as the basic diaphragm gas meter. -Open warning-if the user privately disassemble the front cover of the gas meter, gas meter will record the appropriate information, this information will be fed back when read the gas meter.
- Move/vibration alarm-if the users move or knock over the gas meter, gas meter will record the appropriate information, this information will be fed back when read the gas meter.
- Safety Patrol-meter reading staff or security personnel could implement meter safety inspection by reading, the inspection records will be saved in the gas meter for further reference.
- Data synchronization -when the gas meter readings and mechanical meter readings appear inconsistent, first, the field staff can synchronize the readings as the mechanical meter readings, and make maintenance of the gas meter later.

(\*The following functions can be customized: insert valve, combined with a mobile phone APP can perform remote recharge, interactive real-time inquiry, pre-paid management and other functions, provide a reliable data basis for the gas company's prediction of operating data.)

### Operation Principle

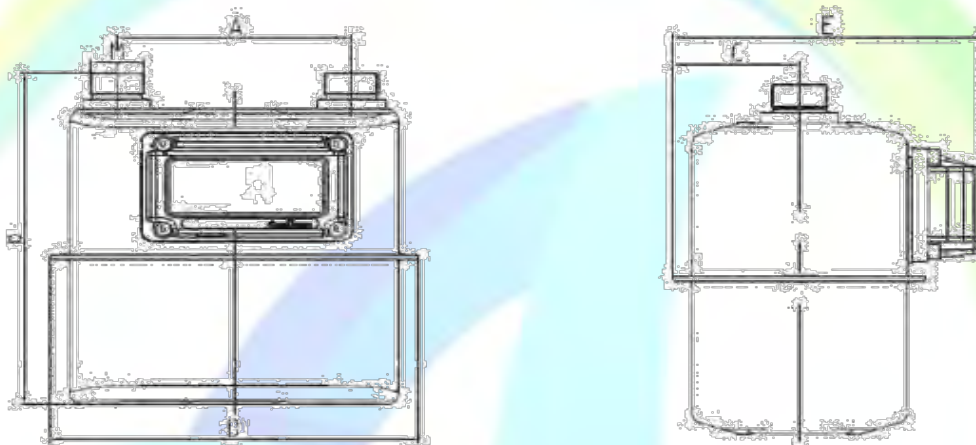




### Operation Principle

The NFC gas meter has function of diaphragm gas meter and data transfer/back-stage management system as well. Using an NFC-enabled handset or smart phones to connect with NFC gas meter to achieve data communication, through the advanced and reliable mobile wireless network platform directly send the gas meter data back to background service management center, to achieve gas condition monitoring, data analysis, cost calculations, safety inspection and other functions, specifically as shown before.

### Dimension, Technical parameter



Series	Model	Dimension (mm)						Weight kg
		A	B	C	D	E	M	
QK2000	G1.6	110/130	221	67	205	160	M30×2	1.9
	G2.5	110/130	221	67	205	160	M30×2	1.9
	G4	110/130	228	67	205	160	M30×2	1.9
QK3000	G1.6	110/130	221	67	193/205	157	M30×2	1.9
	G2.5	110/130	221	67	193/205	157	M30×2	1.9
	G4	110/130	221	67	193/205	157	M30×2	1.9

Operation voltage:	3.6V	Operation frequency	13.56MHz
Average electricity	<6uA	Network mode	P2P
Operation temperature:	-10°C to +40C	Transmission distance	within 10 cm
Operation humidity:	45%'95%	Connection time	<0.1S
Precision level	grade 1.5	Communication mode	initiative/ passivity
Error curve	$q_{mn} \sim q < 0.1q_{max} \pm 3\%$ $0.1q_{max} : 5q < q_{max} \pm 1.5\%$	Transmission speed	106Kbit/s
Flow range	cycle volume $1.6 \text{ M}^3 / \text{h}, 2.5 \text{ M}^3 / \text{h}, 4 \text{ M}^3 / \text{h}$ Max. flow $2.5 \text{ m}^3 / \text{h}, 4 \text{ m}^3 / \text{h} \quad 6 \text{ m}^3 / \text{h}$ Mm. flow $0.016 \text{ M}^3 / \text{h}, 0.025 \text{ m}^3 / \text{h}, 0.04 \text{ m}^3 / \text{h}$	Total pressure Loss	<250Pa
Operation pressure	0.5-10Kpa	Life time	10 years
Max. Reading:	99999.999 m3	Waterproof	1P54/1P65



ALQEMAGROUP

[www.alqemagroup.net](http://www.alqemagroup.net)

D

## IC Card prepayment commercial Diaphragm Gas meter

(Type :G6-G65. Temperature compensation available)



### Applications:

Media: Natural gas, town gas, propane, butane, air. Tasks: Gas measurement at operating conditions.

### Brief information

IC card prepayment commercial gas meter is a smart gas metering device which is combined the application of computer technology, electronic technology and mechanical structures. The meter index equipped with magnet to transmit pulses signals.

**QK2000IC Card:** Steel housing, it is composed by QK2000 series meter and IC smart control systems; designed service life of 12 years; in line with requirements of GB / TC6968-2011, JJG577nad OIML R311995.

**QK3000IC Card:** This series only support residential repay meter from G1.6-G4.

**QK4000IC Card:** This series only support residential prepkmeter from G1.6-G4.

### Valve equipment:

Build-in Valve: G6/G10/G16/G25  
External Valve: G40/G65

### Main features:

Working voltage: G6/G10: 4.5V (Three pcs Alkaline batteries)  
G16/G25: 6V (Four pcs Alkaline batteries)

Maximum working pressure:  
G6-25: 10kPa  
G40-G65: 30kPa

LF pulsars:  
G6/G10: 0.1m<sup>3</sup>/p  
G16-G65: 1m<sup>3</sup>/p

Total pressure loss:  
G6: 5250Pa  
G10-G40 : 375Pa  
G65: :5500Pa

Valve open /cut-off working times:  
2000 times

Water-proof: 1P54

Ant-explosion certificate type:  
E xi b II B13

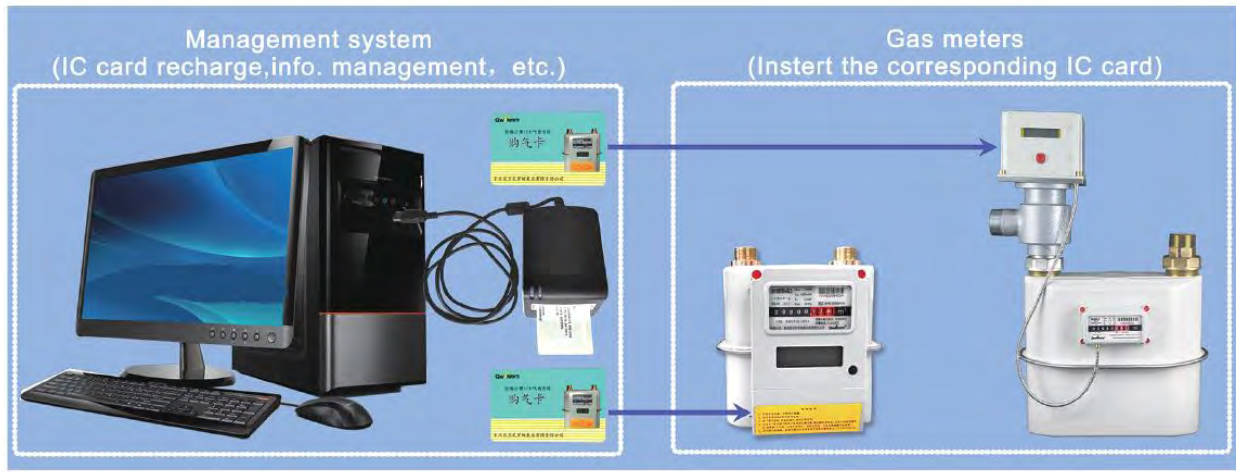
Other mechanical features are same as basic diaphragm meters

Main functions: prepay

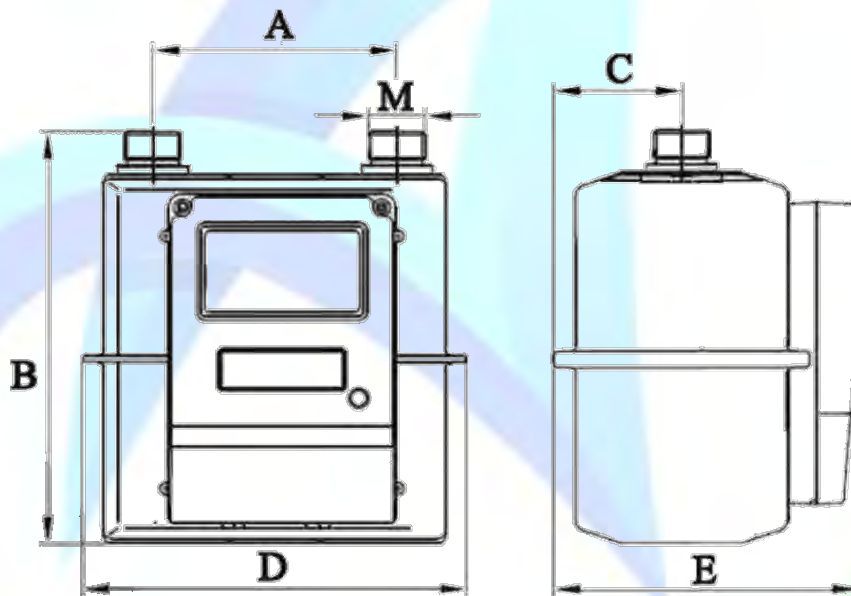


### Operation Principle

The smart card reader and the PC with the software installed are to be located at Management Office. Customer will top up the amount using the IC card /prepayment card via computer sales system. The first time purchasing will input the customer details. One card is specialized for one meter and user. The card can be used repeatable.



### Dimension



Series	Type	Dimension (mm)						Weight kg
		A	B	C	D	E	M	
QK2000	G6	180	282	92	276	202	G 1 1/4	3.8
	G10	250	282	92	276	202	G2	4.5
	G16	280	375	130	405	275	G2	8
	G25	335		130	465	275	G2 1/2	8.5
QK3000	G40	680		161	564	392	Flange DN80	28
	G65	680	327	161	564	392	Flange DN80	29



## IOT-GPRS smart gas meters G6 to G65

### Applications

Media: Natural gas, town gas, propane, butane, air.  
Tasks: Gas measurement at operating conditions.

### Brief information

The IOT-GPRS smart gas meter system developed by QWKROM is user-friendly and easy to operate. With the scheme of modular design and open software architecture, it has a powerful statistical analysis capability, supports a variety of modes of payment and provides perfect multi-step gas price solution; with support for multiple interactive modes, it can easily realize the docking with the mobile platforms such as mobile phone APP and We-Chat; with big data processing ability, it can provide reliable system support for the daily operation and management of gas companies. Standard is based on EN1359&OIML..

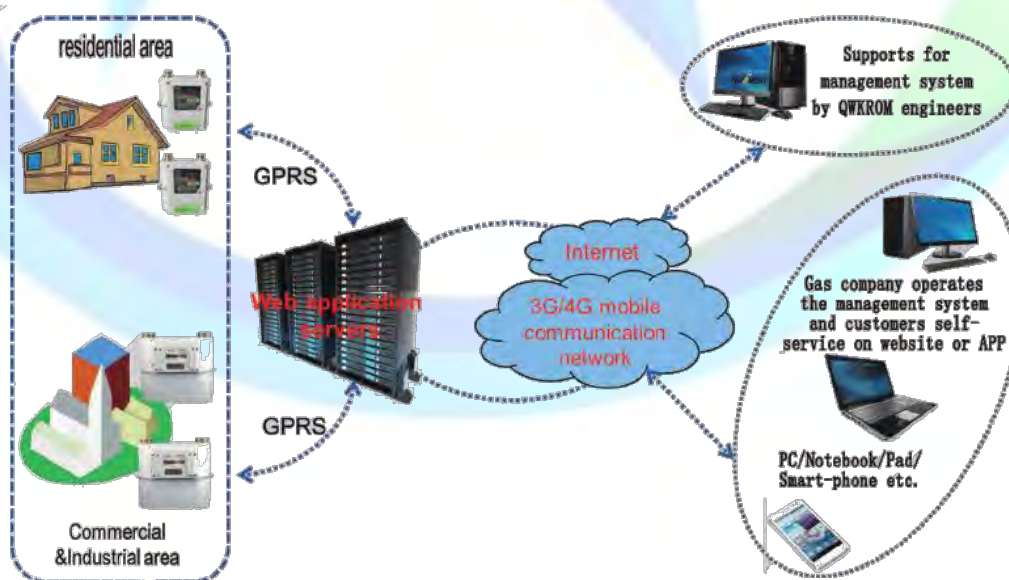


### Main Features

- Wireless reading -real-time monitoring -long-distance valve control- abnormality alarm
- real-time price adjustment• multi-step charging -management system

### Operation Principle

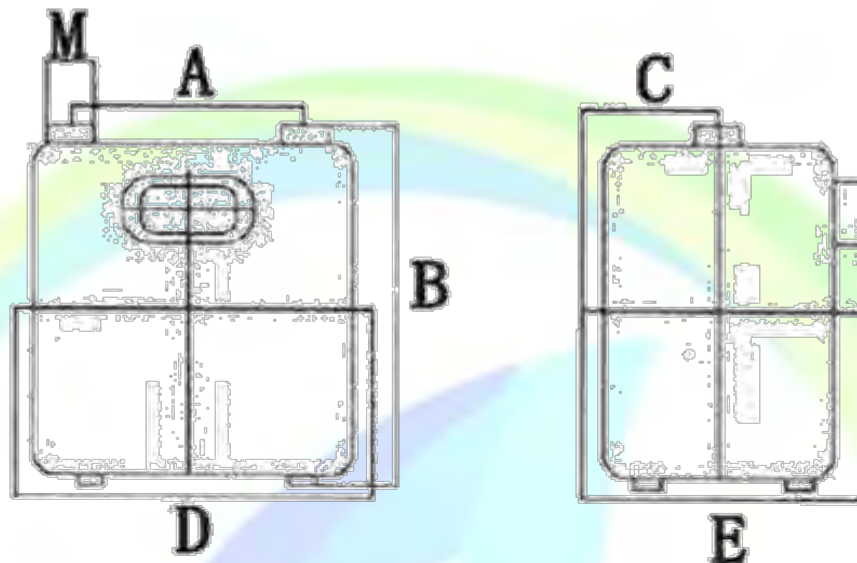
The system consists of IOT gas meters, operating platform and other components, in daily use process, the IOT smart gas meters automatically send the measure information and operating status (battery power, valve status, malicious attacks on the meter) information to the information management center and data server through the built-in GPRS module, which using mobile Internet, then the server receives the data will return a response data, by this process to achieve two-way communication. Users can use APP, convenience stores, online banking for real-time network recharge, after the success of remote recharge, the SMS service platform will send the recharge success information to the users' mobile phone, and the users can achieve real-time interaction with the gas company through the APP.





Dimension, Technical Parameter

D



Type	Connection	Dimension (mm)					Weight kg
	Thread (M)	A	B	C	D	E	
G6	G1¼	180	282	92	276	204	4
G10	G2	250	311	92	350	204	4.5
G16	G2	280	375	130	405	275	8
G25	G2½	335	375	130	465	275	8.5
G40	G3	440	579	277	717	556	46
G65	G3	440	579	277	717	556	46

G6/G16/G25/G40/G65 technical parameter	
Operation voltage: 3.9V (lithium battery)	Waterproof grade: 1P54
Sleep Current: <101iA	Total pressure Loss: The same as basic meters
Operation temperature: -10 C to +40 C	Operation pressure: G6-G25: 0.5"10Kpa G40-65: 0.5"30Kpa
Operation humidity: 45%'-95%	Working life: 10 year
Error curve: qmin!~q<0.lqmax ±3% 0.1 qmax!~q<qmax±1.5%	Valve Reliability: Continuous switching frequency is not less than



## PTC function gas meters G6 to G65

### Applications:

Media: Natural gas, town gas, propane, butane, air.

Tasks: Gas measurement at operating conditions.

### Brief information

Temperature and pressure correction diaphragm gas meter is a new generation of gas meter to meet the market demand, which produced by QWKROM to promote fair measurement methods, it is suitable for metering gas in industry and commerce.

This gas meter series models use temperature!-pressure sensors measure the internal fluid temperature and pressure data, using appropriate temperature and pressure correction algorithm to achieve the standard conditions of measurement purpose.



Its main functions are: Gas temperature and pressure measurement, measurement of the actual volume of gas, measurement of gas standard volume, etc.

The performance indicators are in line with the requirements of EN1359 & OIML. \*standard conditions: P = 101 .325kPa T =20°C.

### Main features

Projects	Units	Parameter					
		PTC-66	PTC—G10	PTC—G16	PTC-G25	PTC-G40	PTC-G65
Maximum flow (q)	m <sup>3</sup> /h	10	16	25	40	65	100
Minimum flow (q j)	m <sup>3</sup> /h	0.06	0.10	0.16	0.25	0.4	0.65
The range of operation pressure	kPa	0.5 ~ 30					
Operation temperature	'C	-10C to +40C					
Pressure lossPa		~200					≤ 400
The maximum permisble eror	q <sub>t</sub> ~q~q <sub>ra</sub>	±3.0					
	q <sub>t</sub> ~q~q <sub>ra</sub>	±1.5					
The correction range of pressure sensor	kPa	80-130		accuracy: ±0.2 kPa			
The correction range of temperature sensor	C	-10to+50		accuracy: ±0.25°C			
Supply		Internal battery 3.6V					



## Operation Principle

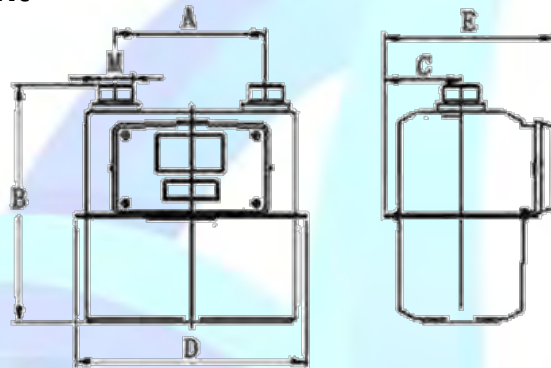
D

With diaphragm gas meter as the measurement basis, the PTC gas meter has internal temperature and pressure sensors, LCD module, power management module. The PTC gas meter standard volumetric measurement is based on the ideal gas equation of state to process conversion, the relationship among the gas temperature and pressure changes and measurement errors are as following:

$$V_b = \frac{P}{101.325} \times \frac{293.15}{T+273.15} \times V$$

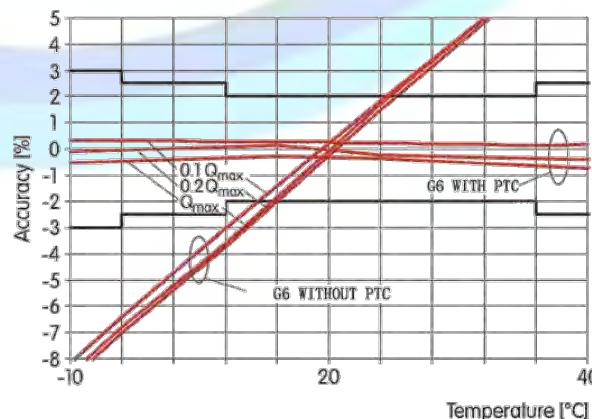
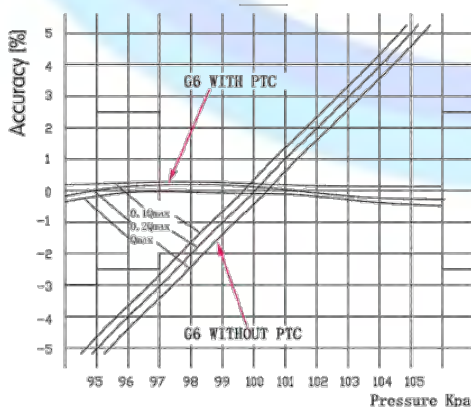
- V<sub>b</sub>: Standard conditions cumulative flow (me)
- V: Operating conditions cumulative flow (me)
- P: Medium pressure (kPa)
- T: Medium temperature (°C)

## Dimension and weight



Projects Types	Dimension (mm)						Weight kg
	A	B	C	D	E	M	
PTC-G6	180	282	92	276	204	G1½	4
PTC-G10	250	311	92	350	204	G2	4.5
PTC-G16	280	375	130	405	275	G2	8
PTC-G25	335	375	130	465	275	G2½	8.5
PTC-G40	440	579	277	717	556	G3	40
PTC-G65	440	579	277	717	556	G3	46

## Error Cruve







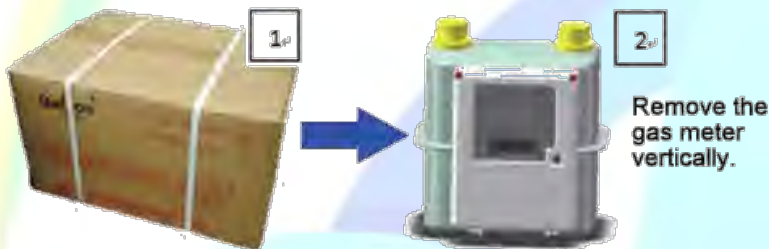
## Diaphragm gas meter installation steps

### Installation components

1. Packing box;
2. Gas meter;
3. Protecting covers;
4. Inlet pipes(with valve);
5. Outlet pipes;
6. Connectors;
7. Nuts of connectors;
- 8.Spanner(or pipe wrenches);
9. Seal washers.

### 1st step.

During handling and storage process, meters should be maintained upright, not be lied down, upside down or collision.



### 2nd step.

Get off the inlet and outlet protecting covers.



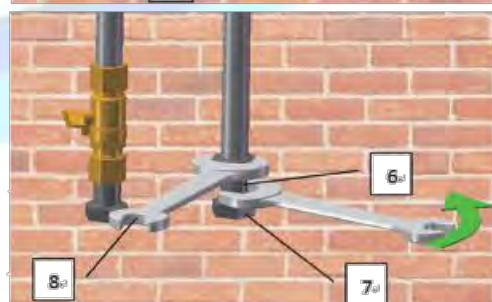
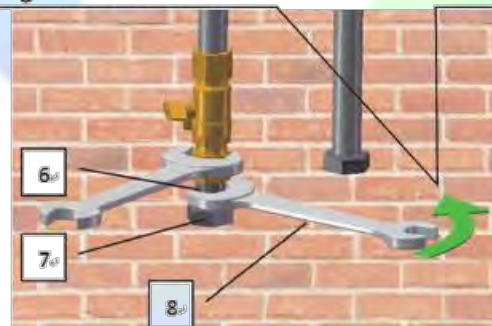
### 3rd step.

Before installation, ensure that the inlet valve is closed and the line pressure does not exceed the maximum operating pressure of the gas meter.



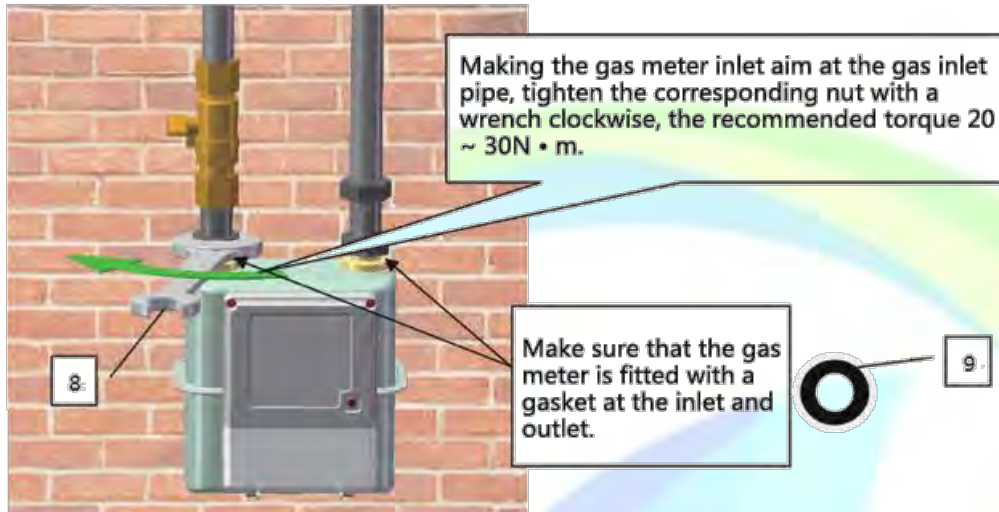
### 4th step.

Using the connector's external screw thread end to aim at the intake pipe and outlet pipe respectively, with a wrench (or pipe clamp) fix the pipe, and the other hand wrench tighten the connector counterclockwise.

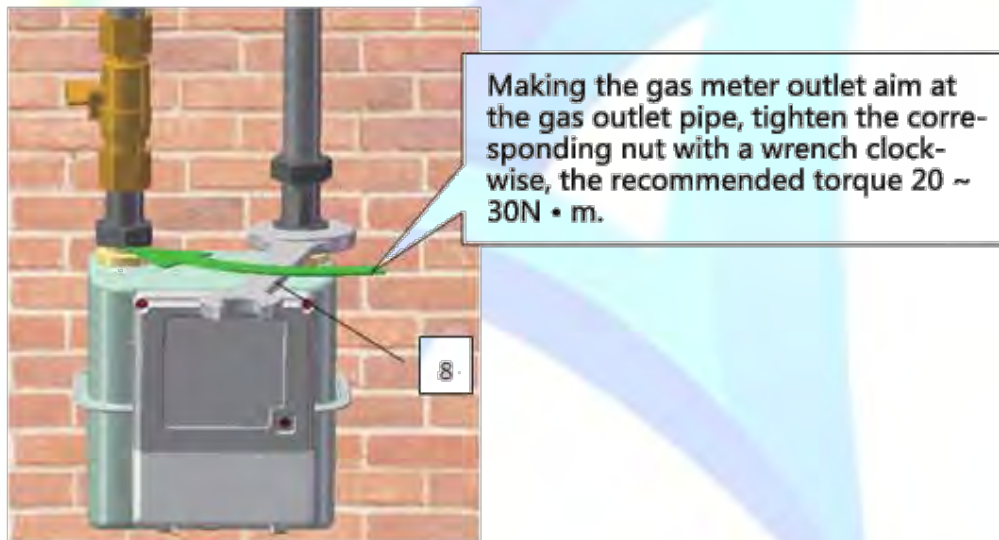




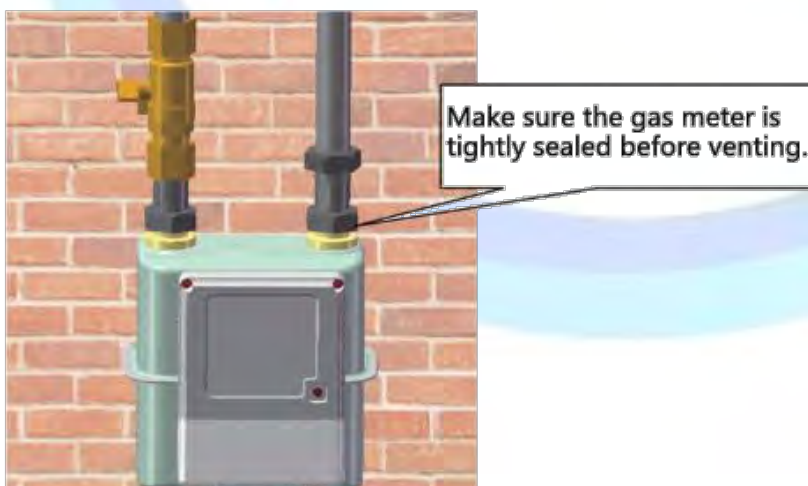
**5th step.**



**6th step.**



**7th step.**

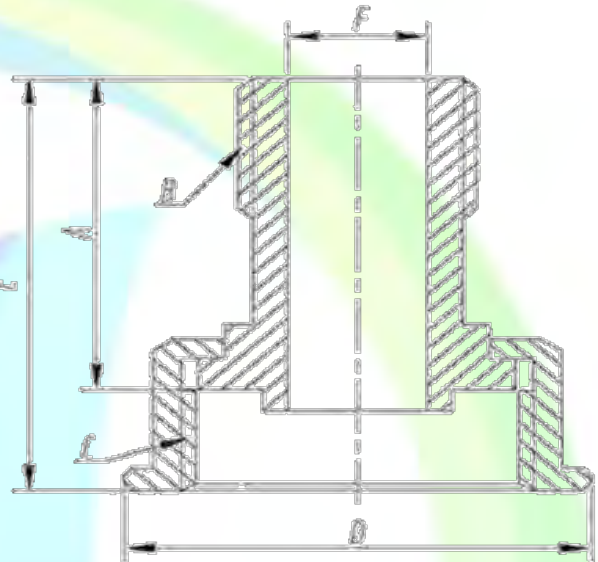




## Common external connection couple model & specification

### Product list

1. Residential Diaphragm Gas Meters G1.6/ G2.5/ G4
2. Commercial Diaphragm Gas Meters G6-G1 00
3. Residential Smart Diaphragm Gas Meters G1.6/ G2.5/ G4
  - (1) IC Card Prepayment Residential Diaphragm Gas Meter
  - (2) AMR Smart Gas Meters
  - (3) IOT Smart Gas Meters
  - (4) NFC Smart Gas Meters
  - (5) The Gas Meter Of Microelectronics Thermal Mass.
4. Commercial Smart Diaphragm Gas Meters G6 To G65
  - (1) IC Card Prepayment Commercial Diaphragm Gas Meter
  - (2) IOT-GPRS Smart Gas Meters
  - (3) PTC Function Gas Meters.
5. Ultrasonic Series
6. Diaphragm Gas Meter Installation Steps
7. Common External Connector Couples Model & Specifications



MODEL	Dimension (mm)						Applicable Model
	A	B	C	D	E	F	
QB1JT( 15 )	44.5	R½	M30×2	37	54.5	15	QK2000-G1.6 ,QK2000-G2.5, QK2000-G4, BK-G1.6, BK-G2.5, BK-G4
QB4JT( I )	50.5	R1	G1½	54	63.5	23	QK2000-G6
MB10JT	59	R1½	G2	75	75	34	QK2000-G10 QK2000-G16
MB11JT	64	R2	G2½	90	79.5	47	QK2000-G25
BG65JT	68	R2½	G3	102	90	58.8	QK2000-G40 QK2000-G65
QB4JT	49	R1	G1½	70	59	22	BK-G6
QB6JT	54	R1½	G2	75	70	34	BK-G10 BK-G16
QB7JT	53	R2	G2½	90	71	50	BK-G25



ALQEMAGROUP

[www.alqemagroup.net](http://www.alqemagroup.net)

D

## LPG GAS METERS G2,5 - G4



Il misuratore G2,5 / G4 è il contatore ideale per uso residenziale, progettato con criteri innovativi per assemblaggio completamente automatizzato. Tutte le fasi di produzione vengono verificate attentamente, pertanto il misuratore G2,5 / G4 offre funzionamento ad alta affidabilità e precisione, costante nel tempo di misurazione.

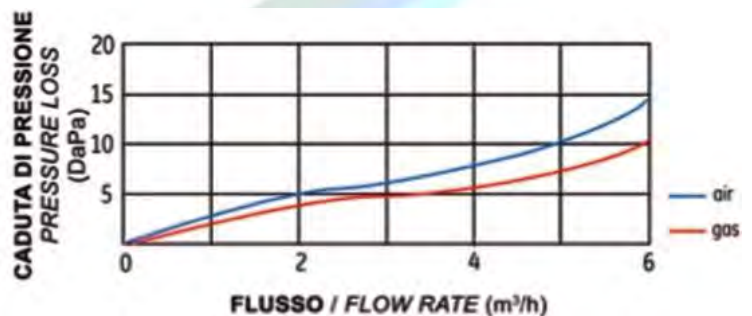
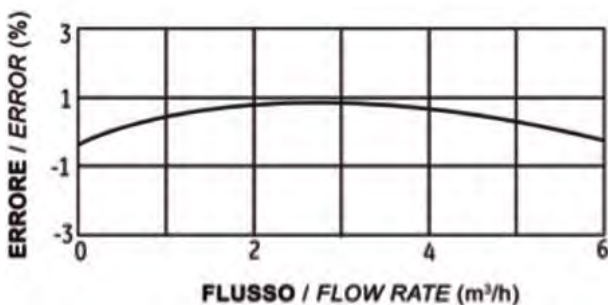
*The G2,5 / G4 is the perfect meter for residential use, designed with innovative criteria for fully automated assembling. All manufacturing steps are verified carefully, so that the G2,5 / G4 gas meter offers high operation reliability and metering accuracy, constant in time.*

### ADVANTAGES IN USE

- Small dimensions
- Lightweight
- High metering accuracy
- 100% corrosion-proof
- Connection for remote reading with LF pulse emitter
- Compliant with EEC and MID Directives
- Compliant with OIML R31 and EN 1359 assessed by suitable tests performed by NMI

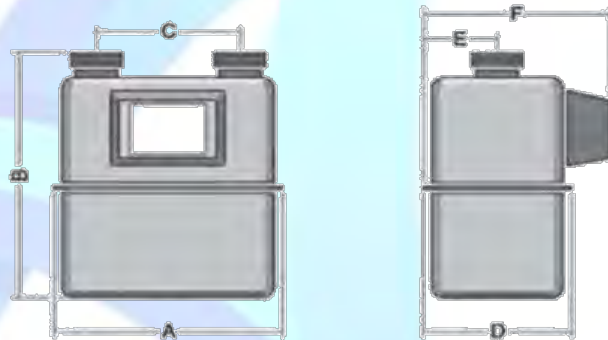
### STRUCTURAL CHARACTERISTICS

- Case is in reinforced steel thickness 1 mm
- Diaphragms made of synthetic material
- Grid and distributing valve in thermosetting resin
- Rotary valve for distribution
- Moving parts in self-lubricating material
- Available in version with totalizer readable from the top
- Sheet-steel case resistant to high temperatures according to: UNI - CIG 7988 - App. B BS 4161; DIN 3374; EN 1359





Descrizione / Description	Class	G 2.5	G 4
Volume ciclico <i>Cyclic Volume</i>	dmc		1.2
Portata Massima / <i>Maximum flow rate</i>	mc/h	4	6
Portata minima / <i>Minimum flow rate</i>	dmc/h	25	40
Pressione massima di esercizio (NPL) / <i>Maximum working pressure (NPL)</i>	bar		0.5
Temperatura di esercizio / <i>Working temperature range</i>	°C		-20 to +60
Tolleranza massima errori (Certificazione ECC) <i>Maximum admitted errors (EEC directives)</i>	$Q_{min} \leq Q < 2 Q_{min}$		± 3%
	$2Q_{min} \leq Q \leq Q_{max}$		± 2 %
Tolleranza massima errori (Certificazione MID) <i>Maximum admitted errors (MID directives)</i>	$Q_{min} \leq Q < 0,1 Q_{min}$		± 3%
	$0,1 Q_{min} \leq Q \leq Q_{max}$		± 1.5 %
Lettura registrazioni massima / <i>Maximum recording reading</i>			99999.999
Suddivisione scala totalizzatore / <i>Totalizer scale division</i>			0,0002
Diametro connessione filetto / <i>Threaded connection diameter</i>	Gas		1" 1/4 - 3/4"
	B.S.		1"
	N.F.		6/20 (DN 20)
Interasse connessione filetto / <i>Threaded connection interaxis</i>	mm		110



A	B	C	D	E	F
188	218	110	136	67	161

Peso del misuratore / Meter weight ~ 1.8 kg

COD.	Descrizione / Description
TDO2776008	MISURATORE GAS VOLUMETRICO PER GPL E METANO G2,5 MID da 3/4" <i>LPG GAS METER 3/4" G2,5 MID</i>
TDO2776004	MISURATORE GAS VOLUMETRICO PER GPL E METANO G2,5 MID da 1"1/4 <i>LPG GAS METER 1" 1/4 G2,5 MID</i>
TDO2776005	MISURATORE GAS VOLUMETRICO PER GPL E METANO G4 MID da 1" 1/4 <i>LPG GAS METER 1" 1/4 G4 MID</i>
TDO27818	EMETTITORE DI IMPULSI CON 2 mt DI CAVO PER SISTEMI DI LETTURA A DISTANZA <i>PULSE EMITTER 2 mt CABLE FOR REMOTE READING</i>



## Membrane Gas Meter



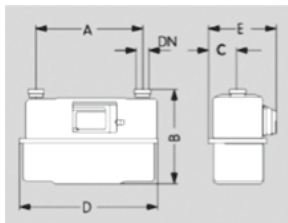
### TECHNICAL FEATURES

- Compact design
- 100% corrosion proof
- High metrological performance and long-term stability
- Approved by: EN 1359 (DVGW Germany)
- Standard pulse magnet
- Low noise level
- Not susceptible to contamination
- Max operating pressure: 0,5bar
- Gas temperature: -20°C / +50°C

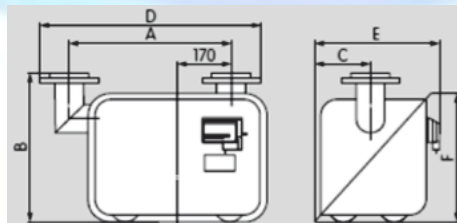
**Note:** Recommended application range calculated using 25% less than the Q max

Cod. Code	Class	Q max mc/h	Q min mc/h	V dm <sup>3</sup>	(mm) Dimension						Weight Kg	Connections DN
					A	B	C	D	E	F		
NPL50/250	G6	10	0,1	2	250	241	71	327	163	-	3,5	1" 1/4
NPL100/280	G10	16	0,1	6	280	330	108	405	234	-	4,5	2"
NPL150/280	G16	25	0,16	6	280	330	108	405	234	-	5,7	2"
NPL200/335	G25	40	0,25	12	335	398	138	465	289	-	10	2" 1/2
NPL350/430 (*)	G40	65	0,4	18	430	470	175	620	392	403	28	DN 65
NPL600/500 (*)	G65	100	0,65	24	500	470	175	710	392	403	29	DN 80
NPL800/710 (*)	G100	160	1	48	710	608	243	950	571	533	105	DN 100

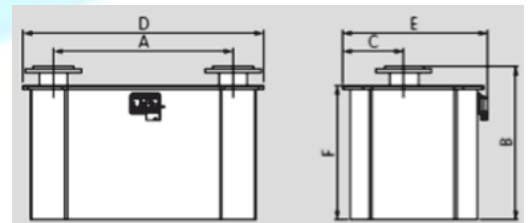
(\*):- model with pulse emitter



G6 - G25



G40 - G65



G100



ALQEMAGROUP

[www.alqemagroup.net](http://www.alqemagroup.net)

D

## Gas Meter Accesories

Cod.		UNIFIED COMPLETE BRACKET WITH VALVE 110 mm DIST.			
		Gas meter fitting	Inlet	Outlet	Dim. mm.
	MEV10	3/4"	F 1/2"	M 1/2"	110
	MEV20	1"1/4	F 3/4"	M 1"	110
	MEV30	1"1/4	F 1"	M 1"	110
	MEV40	1"1/4	F 3/4"	M 3/4"	110
	MEV60	1"1/4	F 1/2"	M 1/2"	110

Cod.		G6 UNIFIED COMPLETE BRACKET 250 mm DISTANCE			
	MEV30L	1"1/4	F 1"	M 1"	250

Cod.		UNIFIED COMPLETE BRACKET WITH VALVE AND LOCK			
	MEV10S	3/4"	F 1/2"	M 1/2"	110
	MEV20S	1"1/4	F 3/4"	M 1"	110
	MEV30S	1"1/4	F 1"	M 1"	110
	MEV40S	1"1/4	F 3/4"	M 3/4"	110
	MEV60S	1"1/4	F 1/2"	M 1/2"	110
	65662520125	1"1/4		1"1/4	

Cod.		Attacco al contatore	Uscita
	65660034125	gir. 1"1/4	M 1"1/4



FARFALLA CON SERRATURA



BLOCCHETTO



CHIAVE SPECIALE PER SMONTAGGIO



PASSPARTOUT



## Gas Meter Accesories

**Cod. RACCORDI - Fittings**



	Ø Tube	Ø Gas meter	for gas meter
TDO18443/U	M 3/4"	F 1" 1/4	G2,5-G 4-G6
TDO18444/U	M 1"	F 1" 1/4	G2,5-G4 -G 6
TDO16215/U	M 1" 1/2	F 2"	G10 - G 16
TDO21212/U	M 2"	F 2" 1/2	G 25

**Cod. Gaskets**



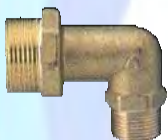
	Diameter
TDZ18737	3/4"
TDZ00800	1" 1/4
TDZ16250	2"
TDZ21207	2" 1/2

**Cod. - PN16 Flanges kit**



	Ø KIT	For gas meter
FGB-DN65	DN 65	G 40
FGB-DN80	DN 80	G 65
FGB-DN100	DN 100	G 100

**Cod. Brass curve 90°**



	FITTINGS
34332000615	M cilindrico 1" 1/4 - M conico 3/4"

*PVC external protection*

**Cod UNI EN 11353 Flexible hose for gas meters**



	Connection		Pipe material	Lenght (mm)
	Ø F	Ø gas meter		
TFC01	3/4 "	1" 1/4	AISI 316L	170
TFC02	3/4 "	1" 1/4	AISI 316L	300
TFC03	3/4 "	1" 1/4	AISI 316L	400
TFC01R	3/4 "	1" 1/4	AISI 316L rivestito	170
TFC02R	3/4 "	1" 1/4	AISI 316L rivestito	300
TFC03R	3/4 "	1" 1/4	AISI 316L rivestito	400





## Gas Meter Accesories Flexible and Etenible hoses

### Cod UNI CIG 7129 Flexible hose for gas meters



	Connection			Length (mm)
	Ø M	Ø gas meter	External protection	
TFC04	1 "	1" 1/4	no	170
TFC05	1 "	1" 1/4	no	300
TFC06	3/4"	1" 1/4	no	170÷340
TFC06R	3/4"	1" 1/4	PVC	170÷340
TFC07	3/4"	1" 1/4	no	200÷400
TFC07R	3/4"	1" 1/4	PVC	200÷400
TFC08	3/4"	1" 1/4	no	300÷600
TFC08R	3/4"	1" 1/4	PVC	300÷600

### Cod UNI CIG 7129 Flexible hose for gas burners



	Connection		External protection	Length (mm)
TFBMM1	1/2 " M	1/2 " M	no / none	145
TFBMM2	3/4 " M	3/4 " M	no / none	150
TFBMM3	1" M	1" M	no / none	165
TFBMM4	1"1/4 M	1"1/4 M	no / none	180
TFBMM5	1"1/2 M	1"1/2 M	no / none	210
TFBMM6	2" M	2" M	no / none	230

### Cod UNI EN 11353 Extensible corrosion proof hose

PVC external protection



	Ø M -F	Length (mm)
2241.10	1/2"	120 ÷ 210
2241.18	1/2"	180 ÷ 300
2243.10	3/4"	120 ÷ 210
2243.18	3/4"	180 ÷ 300
2244.10	1"	120 ÷ 210
2244.18	1"	180 ÷ 300



## Not Fiscal Turbine Gas Meters



- not for fiscal measurement
- alluminium body
- working max P.: 4 bar

### ALLUMINIUM TURBINE GAS METER

COD CEE Class	Q. Max mc/h	Q.min mc/h	Connection Ø
QA 10	16	1,6	1"
QA 16	25	2,25	1"
QA 25	40	2,5	1"
QA 40	65	3,3	1"



- not for fiscal measurement
- working max pressure.: 6 bar
- gas Temp.: -10°C +60°C

### EQZ TYPE TURBINE GAS METER

COD Classe CEE / CEE Class	Q. Max mc/h	Q.min mc/h	Ø Connessione Connection Ø
Q 65	100	6	DN 50
Q 100	160	12	DN 80
Q 160	250	15	DN 80
Q 250	400	20	DN 80
Q 400	650	25	DN 100



- not for fiscal measurement
- working max P.: 16 bar

### TURBINE GAS METER

COD Classe CEE / CEE Class	Materiale Material	Q. Max mc/h	Q.min mc/h	Ø Connessione Connection Ø
Q 65	Ghisa	100	6	DN 50
Q 100	Ghisa	160	10	DN 80
Q 160	Ghisa	250	13	DN 80
Q 250	Ghisa	400	20	DN 100
Q 400	Ghisa	650	32	DN 100
Q 400	Ghisa	650	32	DN 150
Q 650	Ghisa	1000	50	DN 150
Q 1000	Ghisa	1600	80	DN 150
Q 1000	Acciaio	1600	80	DN 200
Q 1600	Acciaio	2500	130	DN 200
Q 1600	Acciaio	2500	130	DN 250
Q 2500	Acciaio	4000	200	DN 250
Q 2500	Acciaio	4000	200	DN 300
Q 4000	Acciaio	6500	320	DN 400



## Radial Turbine Gas Meters



### Technical features

- Operating pressure max 4/6 bar
- Low starting value
- LF-pulse generator (standard), 1 pulse/mc
- Standard integrated flow strainer
- Operation temperature range:
  - Gas temperature: -10°C/+60°C
  - Ambient temperature: -10°C/+60°C
- Mounting/dismounting of the meter element possible without disconnecting the monopipe fitting
- Can be installed in any position from horizontal to vertical (turbine axis not suspende and roller counter axis always horizontal)



Code	Class	DN mm	P max bar	Q. max mc/h	Q. min mc/h	MID 2004/22/EC
TW162"25	G16	G 2"	4	25	5	no
TW25"40	G25	G 2"	4	40	4	no
TW40"65	G40	G 2"	4	65	6	no
TW6550100	G65	DN 50	6	100	5	si / yes
TW1A50100	G100	DN 50	6	160	8	si / yes
TW1A80100	G100	DN 80	6	160	16	no
TW1C80100	G160	DN 80	6	250	13	si / yes
TW2B80100	G250	DN 80	6	400	13	si / yes
TW1A100250	G250	DN 100	6	400	13	si / yes

Optional:



Codice Code	Descrizione Description	DN mm
89.8088	Overflow caps undercoated for the removal of only the metrological part without interruption of the flow	DN 80



## Axial Turbine Gas Meters



Designed to measure gas flow, the operating principle of the turbine meter incorporates an innovative method of conditioning flow in the meter body. Reduce installation and maintenance costs while improving measurement accuracy.

### Standards and approvals

The meters comply with standards EN 12261 and OIML-R6 and are manufactured in accordance with MID Directive 2004/22/EC (except model G65).

### Technical features

- Body material: light weight aluminium (steel for G4000 model)
- Max operation pressure: PN 16
- Removable meter cartridge assembly
- Optimized bearing construction
- Oil flushing and lubrication system
- Multi-stage flow conditioner
- LF pulse emitter, n.2 thermometric pockets, n.1 pressure plug
- Qmin/Qmax rate 1:20 (1:10 only for G65 model)
- Flanging available: DIN PN 16 (ANSI 150 on request);

Code	Class	Q. max mc/h	Q. min mc/h	DN mm	MID 2004/22/EC
T6550P200G1	G 65	100	10	DN 50	no (*)
T1A80P200G1	G100	160	8	DN 80	sì / yes
T1C80P200G1	G 160	250	13	DN 80	sì / yes
T2B80P200G1	G 250	400	20	DN 80	sì / yes
T4A1AP200G1	G 400	650	32	DN 100	sì / yes
T6B1BP200G1	G 650	1000	50	DN 150	sì / yes
T1D1BP200G1	G 1000	1600	80	DN 150	sì / yes
T1F2AP200A1	G 1600	2500	130	DN 200	sì / yes
T2E2BP200A1	G 2500	4000	200	DN 250	sì / yes
T4D3AP200A1	G 4000	6500	300	DN 300	sì / yes

\* for MID version see previous page (cod. TW6550100)



## Rotary Piston Gas Meter



"Mini" Threaded Version



Flanged Version

Reliability, simple maintenance and an expanded operating range (ratio between the maximum and minimum flow) keeping unchanged the measuring precision are characteristic of Rotary-piston meters.

### Standards and approvals

The meters comply with standards EN 12480 and are manufactured in accordance with MID Directive 2004/22/EC.

### Technical features

- Body material: aluminium;
- Sturdy, lightweight and small size;
- The mechanical indicator and the pulse emission system are housed in a sealed drawer condensation;
- Recommended for systems that operate with frequent flow rate transients;
- Maintenance is simplified because the oil level gauges and lubrication connections are accessible from the front and the meter can be installed in direct contact with the rear wall;
- Both vertical and horizontal mounting; Numerator of rotation 355° for better reading;
- LF pulse emitter
- Flanging available: DIN PN 10/16 (ANSI 150 on request);
- Standard flow Direction: left-right and Up-Down (other directions available on request).

COD.	Classe CEE	Qmax m <sup>3</sup> /h"	Qmin m <sup>3</sup> /h"	Tipo attacchi Connections	Ingombro Distance
P10-1-P200L1	G 10 PR AL	16	0,50	1"1/2	
P16-1-P200L1	G 16 PR AL	25	0,50	1"1/2	121
P25-1-P200L1	G 25 PR AL	40	0,50	1"1/2	
P4050P200L1	G 40 PR AL	65	0,65	DN 50	
P6550P200L1	G 65 PR AL	100	0,65	DN 50	171
P1A80P200L1	G 100 PR AL	160	1,00	DN 80	
P1C80P200L1	G 160 PR AL	250	1,60	DN 80	
P2B1AP200L1	G 250 PR AL	400	2,50	DN 100	241



### Simple Effect Pneumatic Actuator Complete Of Fire-Safe Valve Pn40



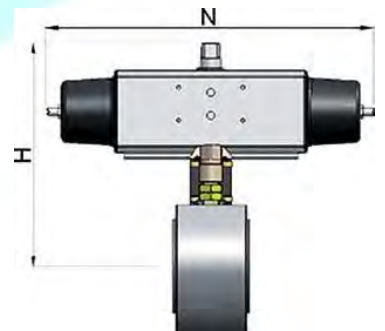
**CARATTERISTICHE TECNICHE DELLA VALVOLA A SFERA**

- Sfera flottante, passaggio totale
- Tenuta soft-seat TFM 1600
- Conforme alla norma per flange EN 1092-1, ASME B16.5
- Classe di pressione: PN16-40 (ANSI 150-300 su richiesta)
- Antistatic device EN12662-2
- Foratura piano per attuatore a norma ISO 5211
- Marcatura e certificato ATEX
- Conforme alla direttiva europea 97/23 EC PED e alla direttiva

**BALL VALVE TECHNICAL FEATURES**

- Floating ball, full bore
- According to flange regulations EN 1092-1, ASME B16.5
- Pressure field: PN16-40 (ANSI 150-300 on request)
- Antistatic device EN12662-2
- Drill on actuator level according to ISO 5211
- ATEX marking and certification
- According to European law 97/23 EC PED and ATEX 94/9/EC

Code	Size	PN	N	H	kg
VPSEA40-15-O	DN 15	25-40	240	162.4	3.4
VPSEA40-20-O	DN 20	16-40	240	165.4	4.2
VPSEA40-25-O	DN 25	16-40	240	172.4	4.8
VPSEA40-32-O	DN 32	16-40	294	184.5	7.0
VPSEA40-40-O	DN 40	16-40	320	224.4	11.1
VPSEA40-50-O	DN 50	25-40	368	253.4	15.7
VPSEA40-65-O	DN 65	25-40	436	291	25.3
VPSEA40-80-O	DN 80	25-40	456	310	30.8
VPSEA40-100-O	DN 100	25-40	602	368.2	58.2



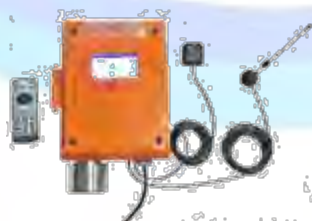


ALQEMAGROUP

[www.alqemagroup.net](http://www.alqemagroup.net)

## GAS DETECTION PANEL

# Section E





### Gas Detection Control Panel

- I. 128\*64 dot matrix big screen liquid digital display
- II. Various gas detector together to fix
- III. The up and low alarm points of each channels can be set separately
- IV. 8 channel 4-20mA/ 48 channel RS485 output signal
- V. RS485, RS232 communication port can upload data to computers & 4 Relay output
- VI. 9 inch touch screen for easy operation

**QB 2000**



**QB 3100**



Touch sreen type

**Rack Panel**



### Parameter of QB 2000 Panel

- High-performance sensor
- 128\*64 dot matrix big screen liquid digital display
- With English Instruction Manual and pictures easy to operate
- Various gas detector together to fix
- Display the detected gas density in distance
- High sensitivity, and quick response
- Automatic compensation for temperature - drift and time drift
- The up and low arms points of each channel can be set separately.

Model	QB2000
Capacity	1-8 detectors is available
Ambient condition	-20~+50 degree; Humidity<90%RH
Response time	T90<30s
Display mode	LED digital display
Alarm value	The first alarm value The alarm value can be set by users.The second alarm value The alarm value can be set by users
Power supply	AC220v, 50HZ < 4W
Alarm	Audible and visual alarm > 110db
Dimension	250*380*100mm
Net Weight	3.5kg
Power supply	220VAC±10%, 50Hz±5%





## Parameter of QB 3100 Panel & QB 2000Ai Panel

E

- Chinese interface to English interface changed freely.
- 9 inch touch screen for easy operation.
- Human body induction function
- Alarm set-points can be set per channel individually.
- Display screen shows the alarm and fault information by different colors.
- Real-time temperature and backup battery displayed.
- 24 hours digital clock
- AC power and backup battery changes freely.
- Detector fault test.
- Alarm records stored automatically and exported freely.
- Passwords management, users with different grade has different authority.



Model	QB3100
Gas	Combustible gas, toxic gas and oxygen
Ambient condition	0~+45 degree; Humidity<95%RH
Response time	T90<60s
Capacity	40 detectors
Display mode	9.2 inch touch screen
Alarm value	The first alarm value The alarm value can be set by users. The second alarm value The alarm value can be set by users
Power supply	AC220v, 50HZ ;Backup power:12VDC/4.6AH*2
Alarm	Audible and visual alarm
Dimension	300*400*125mm
Net Weight	5kg
IP Grade	IP44
Relay output	4 relays output and flexible setting
Signal output	RS485/4-20mA, -10V -10V voltage output or switch output
Voice function	Available

- The Main function
- 128\*64 Dot Matrix Display
- Chinese/English Menu for easy cooperation
- User can set the high and low alarm point by themselves
- Real-time clock
- Automatic detection on device fault
- 999 alarm records automatically stored
- Password for important operation, avoiding wrong operation.
- 1-8 pcs detectors with 4~20ma signal input or 16 pcs detectors with RS485 signal output
- 4 relay output for alarms, passive switch 3a
- Module design, anti-interference
- Back-up power optional (Battery optional)
- Current output(optional)
- Wireless output ([WiFi, NB-IOT or GSM])
- GSM-SMS Alarm
- WiFi or NB-IOT Internet monitoring terrace, with vice/SMS alarm, remote control and maintenance.

Model	QB2000Ai Panel
Gas	Combustible gas, toxic gas and oxygen
Ambient condition	0~+45 degree; Humidity<95%RH
Response time	T90<15s
Capacity	1~24 pcs detectors, 8pcs (4~20) mA detectors 16pcs RS485 detectors
Display mode	128*64 LED Chinese/English Menu
Alarm value	The first alarm value The alarm value can be set by users. The second alarm value The alarm value can be set by users
Power supply	AC 220V±15%、50Hz±1% Backup battery :2pcs 12V/2.8AH accumulator(Optional)
Alarm	Audible and visual alarm
Dimension	360mm(L)×250mm(W)×102mm(H)
Net Weight	4.55kg
IP Grade	IP44
Relay output	3 relays output and flexible setting
Signal output	RS485/4-20mA, -10V -10V voltage output or switch output
Wireless output	GSM、WIFI、NB-IOT (Optional)



## Parameter of QB 1100 Panel / Cabinet

- It's anti RFI/EMI. Each cabinet controls up to thousands of detectors.
- The main control card features 128\*64 LCD . It shows gas concentration,alert status,failures . And all parameters can be modiflicated from the main control card.
- It's campatible with RJ45 Internet port. All can be monitored through personal computer directly.
- Modbus RS485
- 2 channels 4-20mA input and 4-20mA or 0-5V output for analog channel.
- The analog channel card features LCD , resolution would be 0.2%.It works with cabinet or standalone

Model	QB1100
Gas	Combustible gas,toxic gas and oxygen
Ambie nt conditi on	-20 ~+50 celcius degree; Humidity<95%RH
Main power	AC220V 50HZ
Capacity	14 detectors for each single 3U rack panel. The cabinet belows contols 56 detectors,and 14 detectors for each 3U rack panel.
Display mode	128*64 LCD
Alert	LED and sound for alert or failure
Relay output	Passive 2A/AC220V
Alarm	Audible and visual alarm
Dimension	432mm*2350mm*173mm 600mm*600mm*2000mm
Relay output	4 relays output and flexible setting
Signal output	RS485/4-20mA





ALQEMAGROUP

[www.alqemagroup.net](http://www.alqemagroup.net)



# QUALITY MANAGEMENT SYSTEM CERTIFICATE

Certificate No.: 04615Q11279R0M

We hereby certify that the organization:  
**Henan Chicheng Electric Co.,Ltd.**

Organization code: 76949447-6

is in conformity with Quality Management System Standard:  
**GB/T19001-2008 idt ISO9001:2008**

The certificate is valid to the following product(s)/service:  
**Qualification within the Scope of Industrial Instrumentation (Combustible Gas Detector, CO Gas Alarm, H2S Gas Detector, Dot Type Combustible Gas Detector, Gas Detector Control Pane) and Others without the Scope of the Design and Production of Industrial Instrumentation**

Registration Address/ Audit Address: C2D5, No. 11, Changchun Road, New High-Tech District, Zhengzhou City, Henan Province, P. R. China

Issued By

Date of Issue: 2015-04-28

Date of Expiry: 2018-04-27



MANAGEMENT SYSTEM  
CNAS C046 - Q



The effectiveness of the Certificate is subject to QR Code in the lower left corner. Meanwhile, you can search the website of certification body: [www.hicchina.com.cn](http://www.hicchina.com.cn), or search the CNCA website: [www.cnca.gov.cn](http://www.cnca.gov.cn).

**Beijing Head International Certification Co.,Ltd.**

Address: A-7AFB, Linda Building, NO.8 Dongtucheng Road, Chaoyang District, Beijing, P.R.China (100013)

ISO9001



ALQEMAGROUP

[www.alqemagroup.net](http://www.alqemagroup.net)



# ENVIRONMENTAL MANAGEMENT SYSTEM CERTIFICATE

Certificate No.: 04615E10343R0M

We hereby certify that the organization:  
**Henan Chicheng Electric Co.,Ltd.**

Organization code: 76949447-6

is in conformity with Environmental Management System Standard:  
**GB/T24001-2004 idt ISO14001:2004**

The certificate is valid to the following product(s)/service:  
Qualification within the Scope of Industrial Instrumentation  
(Combustible Gas Detector, CO Gas Alarm, H2S Gas Detector, Dot  
Type Combustible Gas Detector, Gas Detector Control Pane) and  
Others without the Scope of the Design and Production of Industrial  
Instrumentation and Related Management Activities

Registration Address/ Audit Address: C2D5, No. 11, Changchun Road, New  
High-Tech District, Zhengzhou City, Henan Province, P. R. China

Issued By

Date of Issue: 2015-04-28

Date of Expiry: 2018-04-27



MANAGEMENT SYSTEM  
CNAS C046 -E



The effectiveness of the Certificate is subject to QR Code in the lower left corner.  
Meanwhile, you can search the website of certification body: [www.hicchina.com.cn](http://www.hicchina.com.cn),  
or search the CNCA website: [www.cnca.gov.cn](http://www.cnca.gov.cn).

**Beijing Head International Certification Co.,Ltd.**

Address: A-7AFB, Linda Building, NO.8 Dongtucheng Road, Chaoyang District, Beijing, P.R.China (100013)

ISO14001



ALQEMAGROUP

[www.alqemagroup.net](http://www.alqemagroup.net)

OHSAS18001



## OCCUPATIONAL HEALTH AND SAFETY MANAGEMENT SYSTEM CERTIFICATE

Certificate No.: 04615S10272R0M

We hereby certify that the organization:  
**Henan Chicheng Electric Co.,Ltd.**

Organization code: 76949447-6

is in conformity with Occupational Health Safety Management  
System Standard: GB/T28001-2011 idt OHSAS18001:2007

The certificate is valid to the following product(s)/service:  
Qualification within the Scope of Industrial Instrumentation  
(Combustible Gas Detector, CO Gas Alarm, H2S Gas Detector, Dot  
Type Combustible Gas Detector, Gas Detector Control Pane) and  
Others without the Scope of the Design and Production of Industrial  
Instrumentation and Related Management Activities

Registration Address/ Audit Address: C2D5, No. 11, Changchun Road, New  
High-Tech District, Zhengzhou City, Henan Province, P. R. China

Issued By

Date of Issue: 2015-04-28

Date of Expiry: 2018-04-27



MANAGEMENT SYSTEM  
CNAS C046 - S



The effectiveness of the Certificate is subject to QR Code in the lower left corner.  
Meanwhile, you can search the website of certification body: [www.hicchina.com.cn](http://www.hicchina.com.cn),  
or search the CNCA website: [www.cnca.gov.cn](http://www.cnca.gov.cn).

**Beijing Head International Certification Co.,Ltd.**

Address: A-7AFB, Linda Building, NO.8 Dongtucheng Road, Chaoyang District, Beijing, P.R.China (100013)



ALQEMAGROUP

[www.alqemagroup.net](http://www.alqemagroup.net)

*GAS Sensor*

# Section F





ALQEMAGROUP

[www.alqemagroup.net](http://www.alqemagroup.net)

## Fixed Gas Detector – QB10

F

QB2000 N



QB2000T



Visual & Audible Alarm



- For combustible gas, toxic gas and oxygen
- Sensor module design with original imported electro-chemical sensor
- 4~20mA standard signal (RS485 output optional)
- Can be directly connected with DCS systems or central unit

## Fixed Gas Detector – QB2000 N/T



- Power supply: 16~30V DC
- Output signal:
  - 4~20mA standard signal (RS485 output optional)
- Working current:  $\leq 50$  Ma
- Response time:  $T_{90} < 30s$
- Operating temperature:  $-20^{\circ}C \sim +60^{\circ}C$
- Humidity:  $< 90\%RH$  no Condensation
- Alarm  $\geq 85$  DB the higher of buzz frequency, the higher gas concentration.
- IP Grade: IP66
- Anti explosion class: Ex d IICT6Gb



## Module design advantage

- Easy to Check the Faulty Sensor - Sensor module(block) design on-spot replacement s and automatically distinguish sensor fault and current display fault simultaneously. When the sensor out of service or the sensor fails, the user can check and solve the problem by replacing spare modules,saving the time and cost.
- Easy to Remove the LED or LCD- The LCD display and LED display module can be interchanged, supporting swift hot swap,support plug and play functionality.
- Easy to Install the Gas Sensor - The sensor module and the connection interface in the detector have jack and plug prevent improper insertion.Just spin and press the plug gently,the plug can be inserted the jack.
- Easy to Read Different Gases- The sensor module of the detector can be replaced by the same type module and the different gas sensor module,and different range sensor module. The detector can distinguish and operation itself.
- Unnecessary to Re-calibration - Whatever the sensor module is chosen to replace the original one, there is no need to re-calibrate it.The detector automatically distinguishes the sensor module, reads the ex-factory calibration value and the related setting value and operates detecting when the self-inspection is done.







## Fixed Gas Detector – QB3000 N/T

- For combustible gas, toxic gas and oxygen
- LCD/LED display screen
- Relay output for external device
- Sensor module can be replaced by the same type sensor & other type sensor of different detecting range



LED / LCD Display



Front Appearance



## Fixed Gas Detector – QB10T

- Adopts the original imported sensors and advanced digital processing system,
- High accuracy, stable, anti-toxic and anti-interference.
- Self-test technology in the sensor, automatic alert for short circuit, power supply fault, etc.
- 4-20mA analog output for direct communication to DCS system, RS485 ModBus output for central unit.
- Can be set with IR remote controller without open the upper enclosure.
- Highlight segment digital display real-time concentration
- Temperature compensation to ensure accuracy.
- Built-relay switch output
- Can be connected with audible-visual alarm.
- Advantage: Sensor module for toxic gas.





### Technical parameters

Model	QB10N
Gas detection	Single gas(combustible gas ,toxic gas)
Accuracy	3%F.S
Response time	T90<30s
Operating temperature	-20°C-70°C
Humidity	<90%RH no condensation
Display	Large STN LCD indicates real time and system state
Alarm	Audible and visual
Charging time	4-6h
Sampling method	Natural diffusion
Power supply	10-30VDC
Signal output	4-20mA(3 wires)
Relay out	1 channel 30V 3A
IR remote controller distance	3m
Net weight	1080g

### Fixed Gas Detector QB2000F

- Dopts advanced 16 digit ultra-low power consumption embedded micro controller.
- 128\*64 dot matrix ultra-large liquid-crystal display
- Adjustable H-alarm and L-alarm values
- Displays the time of first alarm
- Real-time display
- Replaceable sensor module design
- Automatic calibrating to ensure the detecting accuracy
- 200 pieces alarm record can be stored automatically
- Password management and IR remote function
- The optional internal battery backup can work continuously for 24 hours (no alarming status)
- Advantage: Sensor module(block) design on -spot replacement s and automatically distinguish sensor fault and current display fault simultaneously.



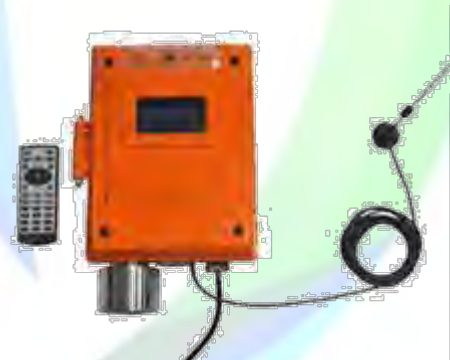


### Technical parameters

Model	QB2000F
Gas detection	Single gas
Accuracy	3%F.S
Response time	T90<30s
Operating temperature	-30°C-50°C
Humidity	<90%RH no condensation
Signal output	4-20mA(3 wires),RS485(4 wires)
Alarm	Audible and visual
Relay interface	2 channel 30V 3A
Sampling method	Natural diffusion
Power supply	220VAC
Data logging	200
Net weight	1200g

### Fixed Gas Detector – GRTU – 1000

- 128\*64 dot matrix super LCD display
- IR remote control
- Chinese-English interface
- Multi gas detection synchronously
- Real time clock
- Replaceable module sensor,helps save maintenance cost, making calibration much easier
- Fault record and alarm record
- Password operation
- RS485 output to connect to DCS or PLC system
- It can upload data to ASPthrough GPRS wireless web optional (on request)





## Technical parameters

Model	GRTU1000
Gas detection	Multi gas(Toxic gas, combustible gas or oxygen,co2 ,up to 4 gases)
Accuracy	3%F.S
Response time	T90<30s
Operating temperature	-20°C-50°C
Humidity	<90%RH no condensation
Display	LCD indicates real time and system state,gas concentration,historical data
Alarm	Audible and visual $\geq 100$ dB the higher of buzz frequency,the higher gas concentration is
Operation	IR remote control
Sampling method	Natural diffusion
Power supply	AC220V 2A; back up battery
Relay output	2
Signal output	RS485 or GPRS optional
Duration of operation	Flammable gas < 8 (non-stopped); toxic gas < 300h(non-stopped)
Ex grade	Exd II CT6 Gb
Dimension	29*16*37(cm)
Net weight	3790g(including battery)



ALQEMAGROUP

[www.alqemagroup.net](http://www.alqemagroup.net)

*GAS detector*

# Section G





ALQEMAGROUP

[www.alqemagroup.net](http://www.alqemagroup.net)

G

## House Hold Gas Alarm

### HD1100A/D Household Gas Alarm

#### Features

Large LCD screen displays single gas, or CO and Gas value

in turns Four LED shows the alarm working status

Fashion design for modern decoration.

Easy to install, plug in design with backup battery

Audible and visual alarm, voice alarm to remind you of danger

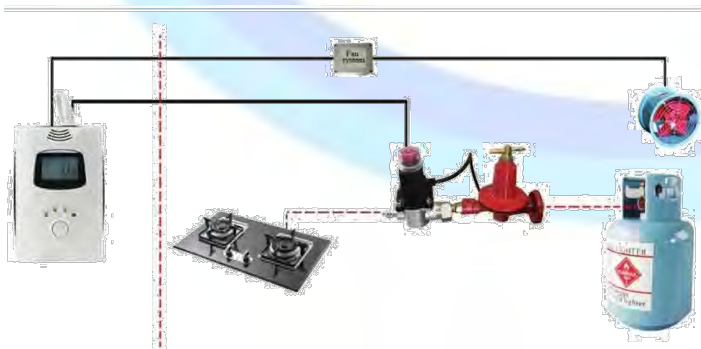
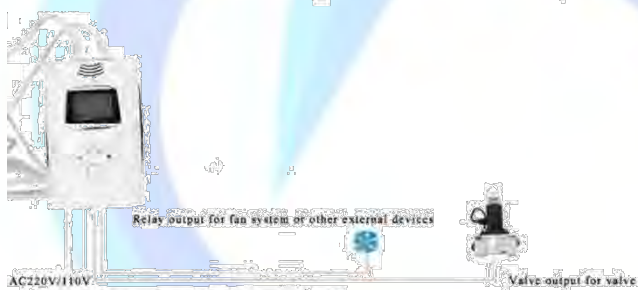
Relay output or shut-off valve optional

Phone call & SMS message module optional



## How to Install Connect

#### The gas detection system





ALQEMAGROUP

[www.alqemagroup.net](http://www.alqemagroup.net)

## Specification

G

Brand	CCE
Model	HD100
Gas	Natural gas, coal gas, CO, Dual gases
OEM	Available OEM is welcome
Sensor	Semi conductive " Analytic combustion and electrochemical sensor
Anti Pollution	
Material	AHS
Power supply	AC 220V or AC 110V + 15%
Range	0-10% / » LEL or 0.500 / 100ppm
Alarm value	7%LEL or 50ppm
Detected way	Natural diffusion
Alarm	Visual and audible alarm
Alarm level	
Response	≤ 30s
Temperatures	-10 C ~ 55C
Spare parts	Relay or solenoid valve optional
Warranty	Year warranty



## House hold Gas Alarm

### HD 1000&2000 Household Gas Alarm

High reliability—Semi-conductor sensor

-With special circuit(MCU processing control and SMT manufacture Technology).

- Easy to Install---Unit plugs directly into any wall outlet.
- Easy operation—Clearly visible status indications LEDS (power, preheat, fault and alarm).
  - Button for test and rest: Test the alarm electronics and reset the unit during alarm.
  - Loud 85dB at 1m
- Low total cost—Ideal for easy installation
  - Direct connection to a solenoid valve
- Designed for residential environments—Slim , small, compact design with stylish features, ideal for residential setting and modern decorations.
- Advantage: Module design. Easy to maintain.



HD 1000



HD 2000

### HD 1000

<b>Illustration</b> 		<b>Status buttons&amp;Test switch</b> 	<b>Test button</b> 
		<b>Gas inlet below</b> 	<b>Gas inlet side</b> 
<b>AC &amp; Valve cable socket</b> 	<b>Loud speaker</b> 		





ALQEMAGROUP

[www.alqemagroup.net](http://www.alqemagroup.net)

## HD 2000

G

**Four advantages:**  
Creation, excellence, elegant, security and high efficiency

**Advantage 1**  
Improved outdoor

**Advantage 2**  
MCU processing module  
precision high concentration

**Advantage 3**  
PNC2 is used in circuit, lower

**Advantage 4**  
PNC2 is used in circuit, lower




**Buzzer:**  
Buzzer works once the gas concentration above the setting value

**Fixed Hanging Slot:**  
Easy to be installed



**Details determine success or failure**

**Air Inlet:**  
Detect gas leakage in all directions



**Mounting plate:**

ISO qualified and government permitted gas detection equipment manufacturer



## Portable Single Gas Detector

GC210



GC210 Portable Gas Detector

GC230



GC230 Portable Gas Detector

GC510



GC510 Potable Gas detector with pump

GC510



GC510 Potable Gas detector with probe

GC210



### Technical Parameter

Model	GC210
Gas detection	Single gas(Toxic gas, combustibile gas or oxygen)
Accuracy	3%F.S
Response time	T90<30s
Operating temperature	-30°C-50°C
Humidity	<95%RH no condensation
Display	Large STN LCD indicates real time and system state
Alarm	Audible and visual,vibration $\geq 85$ dB the higher of buzz frequency,the higher gas concentration is
Charging time	4-6h
Sampling method	Natural diffusion
Power supply	3.6V DC 1200mAh rechargeable Li-ion battery
Fault indication	Indications of Zero point drift and sensor failure
Duration of operation	Flammable gas < 8 (non-stopped); toxic gas < 300h(non-stopped)
IP grade	IP66
Dimension	102*56*26(mm)
Net weight	120g(including battery)

- For combustibile gas, toxic gas and oxygen
- 2000 record capacity, with lithium battery
- Advanced self- calibration for accuracy
- Large STN LCD indicates real time and system state
- Probe or Inner Aspirator Pump optional for Sampling
- Reliable and durable fixed life by the imported sensor
- Automatical calibration and zero-set
- Apparent and Clear Display
- Chinese menu, displaying real time and battery capacity, low battery indication and automatic turn-off for low Voltage
- Rapid and effective warning with audible alarm, and 0 extremely bright visual light alarm and vibrating alarm as standard.
- Advanced self-test of complete functions automatically when turned on
- 1000 record capacity
- Alarm for sensor failure
- Password management to avoid wrong operation;
- Advanced self- calibration for accuracy.



## GC230

- Toxic gas only.
- Self test and zero-set automatically
- Visual, audible, vibration alarm.
- DC3.7V primary battery.



### Technical Parameter

Model	GC230
Gas detection	Toxic gas only
Sensor	Electric chemical sensors
Response time	T90<30s
Operating temperature	-20°C-50°C
Humidity	5-90%RH no condensation
Display	LCD
Alarm	Flicker, three color LED warning lamp, LCD display, 90dB pulse output, vibration.
Power supply	DC3.6V primary Li-ion battery
Sampling method	Natural diffusion
Standby	More than 2 years.
Dimension	96*50*22mm
Explosive grade	Ex ia IIC T4



### GC510



- Small size, light weight and durable
- Adopt embedded 16-bit microprocessor, ensure that the product is in stable and reliable operation.
- Visual, audible, vibration alarm.
- Chinese or English menu is optional.
- Large display screen, easy operation.
- Self-test function.
- 1000 alarm records storage.
- Save and restore the factory setting function.
- External flexible probe(Optional).
- Embedded air pump(Optional).

#### Technical Parameter

Model	GC510
Gas detection	Single gas(Toxic gas, combustible gas or oxygen)
Sensor	Catalytic combustion type, electric chemical sensors (with temperature compensation), the PID sensor
Response time	T90<30s
Operating temperature	-20°C-50°C
Humidity	5-90%RH no condensation
Display	LCD
Alarm	Flicker, three color LED warning lamp, LCD display, 90dB pulse output, vibration.
Power supply	7.2V rechargeable Li-ion battery
Sampling method	Built-in pump or probe optional
Enclosure	Strong, durable and shockproof.
Calibration	One-click automatic calibration and automatic zero, multi-point calibration can be performed manually.
Data logging	1000



## Portable mini Gas Detector 4 in 1

### GC310 Portable Multi Gas Detector

- H<sub>2</sub>S: 0-100ppm
- CO: 0-999ppm
- O<sub>2</sub>: 0-30%VOL
- Combustible gas (CH<sub>4</sub>): 0-100%LEL



### Technical Parameter

Model	GC310
Gas detection	Multi gas(Toxic gas, combustible gas or oxygen)
Accuracy	3%F.S
Response time	T90<30s
Operating temperature	-20°C-50°C
Humidity	5-90%RH no condensation
Display	LCD display of gas reading and condition,display TWA and peak value when needed
Alarm	Audible and visual,vibration. Flashing wide-angled LED alarm light and LCD reading;90dB impulse output
Charging time	4-6h
Sampling method	Natural diffusion
Power supply	3.6V DC 1200mAh rechargeable Li-ion battery
Enclosure	Compact,durable ruggedized ABS shell
Calibration	Automatic calibration and zero
Explosion proof grade	Ex ib II CT3
Dimension	126*66*32(mm)
Net weight	220g(including battery)



ALQEMAGROUP

[www.alqemagroup.net](http://www.alqemagroup.net)

## LPG Tank & Truck equipment

# Section H





ALQEMAGROUP

[www.alqemagroup.net](http://www.alqemagroup.net)

NEW

## LEVEL GAUGE FOR BOBTAILS AND STATIONARY TANKS

H

Measure liquid levels within bobtail and stationary tanks with fluid capacity above 5.000 l.



Other dimensions and flanging on request

### TECHNICAL SPECIFICATIONS

- Stainless steel construction;
- Coupling with welded pipe that provides maximum strength and durability;
- Dial sealed and condensation-free;
- White luminescent background;
- High precision in the measure within the product category;
- Flanged connection external  $\varnothing$  120 with n.8 hole  $\varnothing$  14, wheelbase hole  $\varnothing$  89;
- Available stud:
  - for UE market M12 + M12 nuts
  - for US market  $\frac{1}{2}$ "-13UNC + UNC nuts;



ALQEMAGROUP

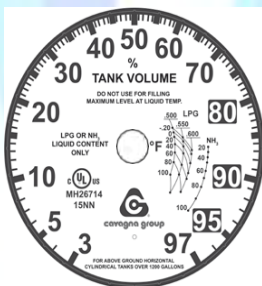
[www.alqemagroup.net](http://www.alqemagroup.net)

H



LEVEL GAUGE WITH DIAL Ø 4"		
Tank size	Codice Articolo - Part No.	
	HEMISPHERICAL EDGE (long arm)	ELLIPSOIDAL EDGE (short arm)
Ø 60" - (1524 mm / 3.000L)	3001102765	3001102818
Ø 64" - (1625,6 mm / 4.000L)	3001102766	3001102819
Ø 66" - (1676,4 mm / 5.800L)	3001102740	3001102820
Ø 72" - (1828,8 mm / 8.000L)	3001102741	3001102821
Ø 79" - (2006,6 mm)	3001102748	3001102822
Ø 80" - (2032 mm)	3001102749	3001102823
Ø 81.5" - (2070,1 mm / 12.900L / 3.000L)	3001102742	3001102824
Ø 84" - (2133,6mm)	3001102750	3001102825
Ø 88" - (2235,2 mm)	3001102751	3001102826
Ø 88.5" - (2247,9 mm L/18.000L/24.000L)	3001102744	3001102827
Ø 90" - (2286 mm)	3001102752	3001102828
Ø 2350 mm - (Ø92.5")	3001102720	3001102829
Ø 2440 mm - (Ø96")	3001102721	3001102830
Ø 98" - (2489,2 mm)	3001102723	3001102831
Ø 108" - (2743,2 mm)	3001102788	3001102832
Ø 130" - (3302 mm)	3001102789	3001102833

LEVEL GAUGE WITH DIAL Ø 8"		
Tank size	Codice Articolo - Part No.	
	HEMISPHERICAL EDGE (long arm)	ELLIPSOIDAL EDGE (short arm)
Ø 60" - (1524 mm / 3.000L)	3001102768	3001102834
Ø 64" - (1625,6 mm / 4.000L)	3001102769	3001102835
Ø 66" - (1676,4 mm / 5.800L)	3001102770	3001102836
Ø 72" - (1828,8 mm / 8.000L)	3001102771	3001102837
Ø 79" - (2006,6 mm)	3001102774	3001102838
Ø 80" - (2032 mm)	3001102775	3001102839
Ø 81.5" - (2070,1 mm / 12.900L / 3.000L)	3001102772	3001102840
Ø 84" - (2133,6mm)	3001102776	3001102841
Ø 88" - (2235,2 mm)	3001102777	3001102842
Ø 88.5" - (2247,9 mm L/18.000L/24.000L)	3001102773	3001102843
Ø 90" - (2286 mm)	3001102778	3001102844
Ø 2350 mm - (Ø92.5")	3001102779	3001102845
Ø 2440 mm - (Ø96")	3001102780	3001102846
Ø 98" - (2489,2 mm)	3001102781	3001102847
Ø 108" - (2743,2 mm)	3001102790	3001102848
Ø 130" - (3302 mm)	3001102791	3001102849

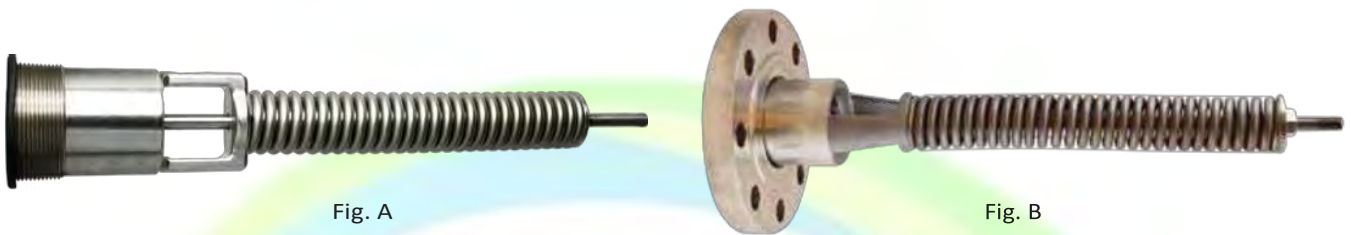


Note: for a correct reading, these indicators must be installed on the center line of the tank side





**FULL INTERNAL RELIEF VALVES**



**APPLICATION:**

Designed for use in mobile LPG & NH3 containers as a primary pressure relief valve for bobtail and transport trailer installations. All working components are internal to the container connection preventing damage to the valve should a roll-over incident occur.

**TECHNICAL SPECIFICATIONS**

- Design temperature: -40/+50 °C
- Connection: UNI PN40 / ASA 300
- Max pressure: 25 bar
- Seat material: nitrile
- Body material: A350 LF2
- Surface treatment: galvanized
- Stainless steel spring
- Stainless steel stem

\* Seat Material not UL listed

\*

	Part No.	Setting pressure		Connection	Installation Hexagonal key mesure	Flow Capacity		Service	
		bar	PSIG			Stm <sup>3</sup> /min di aria	SCFM/AIR** (UL @ 120% Set Pressure)	GPL LPG	NH <sub>3</sub>
Fig. A	MEV200FIR/250	17,24	250	2" M NPT	1-1/2"	120	4.460	Yes	Yes
	MEV200FIR/265	18,27	265	2" M NPT	1-1/2"	125	4.670	Yes	Yes
	MEV300FIR/250	17,24	250	3" M NPT	2-1/2"	292	10.865	Yes	Yes
	MEV300FIR/265	18,27	265	3" M NPT	2-1/2"	311	11.600	Yes	Yes
Fig. B	6602901325	17,24	250	3" 300 LB Flange	2-1/2"	292	10.865	Yes	No
	6602901326	18,27	265	3" 300 LB Flange	2-1/2"	311	11.600	Yes	No

shown as bare relief valves.

\*\*\* Size relief capacity per NFPA 58 2011, table 5.7.2.6

~ Recommended for LPG & NH3 Dual Service Applications



**THREADED BACK PRESSURE VALVES**



7100900049



7100900050



7100900051

- Valves are intended to prevent liquid dis-charge when the desired flow is directed into the vessel thereby allowing the flow in only one direction.,When coupled with the appropriate single check filler valve, the combination forms a double check filler valve, suitable for use in filling of bulk storage tanks

Code	Material	Connection		Wrench Hex Flats	Length	Propane Liquid Capacity (lt/h) at different Δ Pressure		
		Ingresso Inlet	Uscita Outlet			0,34 bar 5 PSIG	0,69 bar 10 PSIG	1,72 bar 25 PSIG
7100900051	Acciaio Steel	3/4" F NPT	3/4" M NPT	1" 3/8	49,2mm 1" 15/16	10,75	15,7	24,5
7100900050		1" 1/4 F NPT	1" 1/4 M NPT	2"	63,5mm 2" 1/2	27,5	39,2	61,75
7100900049		2" F NPT	2" M NPT	3"	83,5mm 3" 3/8	121,5	171,5	270,5
7100900111	Ottone Brass	1" 1/4 F NPT	1" 1/4 M NPT	2"	63,5mm 2" 1/2	27,5	39,2	61,75



**FLANGED CHECK VALVES**

H



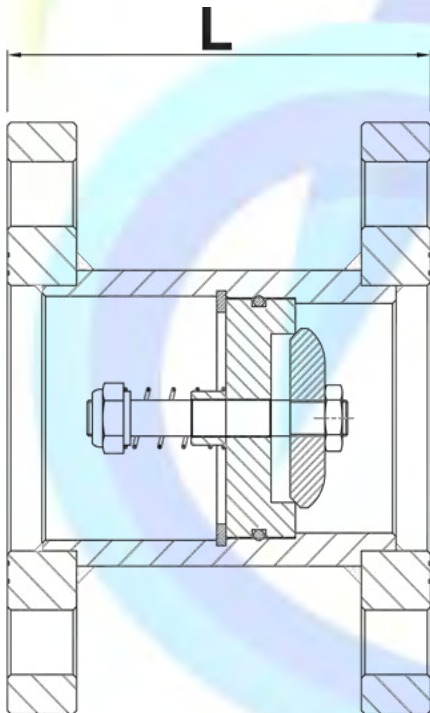
Valves are intended to prevent liquid discharge when the desired flow is directed into the vessel thereby allowing the flow in only one direction.

When coupled with the appropriate single check filler valve, the combination forms a double check filler valve, suitable for use in filling of bulk storage tanks.



**TECHNICAL SPECIFICATIONS**

- Design temperature: -40/+50 °C
- Connection: UNI PN40 / ASA 300
- Max pressure: 25 bar
- Body material: A350 LF2
- Surface treatment: galvanized
- Stainless steel spring
- Stainless steel stem



Code	Flanging		"L" (mm) "L" Length (mm)
	UNI	ASA	
VNR 2/1.0	DN 20	-	110
VNR 2/ASA/1.0	-	¾"	110
VNR 3/1.0	DN 25	-	120
VNR 3/ASA/1.0	-	1"	120
VNR 15/1.0	DN 32	-	110
VNR 15/ASA/1.0	-	1" ¼	110
VNR 17/1.0	DN 40	-	110
VNR 17/ASA/1.0	-	1" ½	110
VNR 18/1.0	DN 50	-	120
VNR 18/ASA/1.0	-	2"	120
VNR 19/1.0	DN 65	-	140
VNR 19/ASA/1.0	-	2" ½	140
VNR 20/1.0	DN 80	-	150
VNR 20/ASA/1.0	-	3"	150



**THREADED EXCESS FLOW VALVES FOR LIQUID OR VAPOR**

Valves are designed for Liquid or Vapor fill/withdrawal and for vapor equalization in containers or line applications. They are intended to close when the liquid or vapor passing through the hose or the piping system exceeds the prescribed flow rate.

**FUNCTIONING**

Once the flow strongly exceeds the nominal flow of the plant, the valve closes and will remain closed until the system equalizes. Once the pressure on both sides of the poppet is equal, a built-in equalizing passage automatically opens the valve.



Code	Material	Connection			Wrench Hex Flats	Liquido (m <sup>3</sup> /min) Length	Approximate Closing Flows	
		Ingresso Inlet	Uscita Outlet	Liquid (GPM Propane)			Ingresso a 177 bar 25 PSIG Inlet	Ingresso a 688 bar 100 PSIG Inlet
6902900127	Steel	1" 1/4	1" 1/4	2"	33,33mm 1" 5/16	0,11 30	5750	9800
6902900128	Steel	1" 1/4	1" 1/4	2"	33,33mm 1" 5/16	0,15 40	7500	13330
6902900129	Steel	1" 1/4	1" 1/4	2"	33,33mm 1" 5/16	0,19 50	8800	15970
6902900199	Brass	3/4"	1/4"	1" 1/16	33,33mm 1" 5/16	N/A	60	110
6902900200	Brass	1" 1/4	1" 1/4	2"	33,33mm 1" 5/16	0,11 30	5850	10000
6902900201	Brass	3/4"	3/4"	1" 3/8	34,92mm 1" 3/8	0,07 20	3700	6900
6902900202	Steel	2"	2"	2" 7/8	47,62mm 1" 7/8	0,46 122	22100	37600
6902900203	Steel	2"	2"	/	19,05mm 3/4"	0,57 150	30500	52000
6902900204	Steel	3"	3"	/	25,4mm 1"	0,76 200	39400	68400



ALQEMAGROUP

[www.alqemagroup.net](http://www.alqemagroup.net)

EXCESS FLOW VALVES FOR LIQUID OR VAPOR WITHDRAWAL

H  
NEW



Valves are designed to be mounted on the bottom of customer storage tanks for liquid service. They may also be mounted on the top for vapour service.

Code Hex	Materiale	Connection		chiave	Approximate Closing Flows		
		Inlet	Outlet	Wrench Flats	) Liquid (GPM Propane)	25 PSIG Inlet	100 PSIG Inlet
6901900036	Acciaio Steel	1" 1/4	1" 1/4	1" 7/8	0,2 30	10600	18920
6901900037	Acciaio Steel	1" 1/4	1" 1/4	1" 7/8	0,2 30	3830	6760



**FLANGED EXCESS FLOW VALVES**

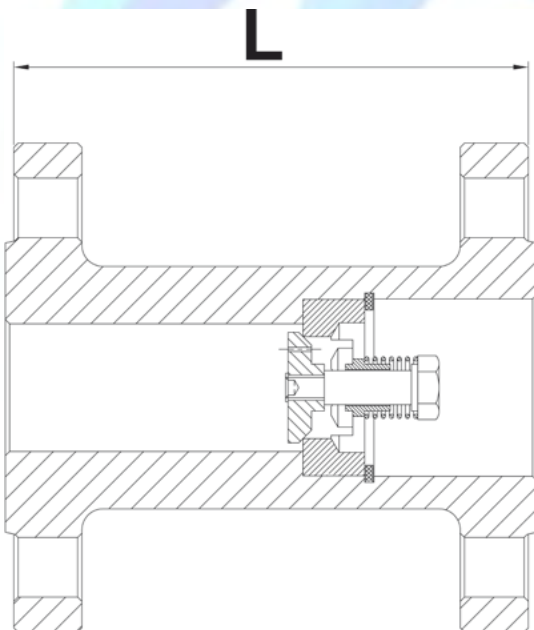


Valves are designed for Liquid or Vapor fill/withdrawal and for vapor equalization in LPG tanks. Once the flow strongly exceeds the nominal flow of the plant, the valve closes and will remain closed until the system equalizes. Once the pressure on both sides of the poppet is equal, a built-in equalizing passage automatically opens the valve.



**TECHNICAL SPECIFICATIONS**

- Design temperature: -40/+50 °C
- Connection: UNI PN40 / ASA 300
- Max pressure: 25 bar
- Body material: A350 LF2
- Surface treatment: galvanized
- Stainless steel spring
- tainless steel stem



Code	Flanging		"L" (mm)
	UNI	ASA	"L" Length (mm)
VEF2/1.0	DN 20	-	110
VEF2/ASA/1.0	-	¾"	110
VEF4/1.0	DN 25	-	124
VEF4/ASA/1.0	-	1"	124
VEF32/1.0	DN 32	-	110
VEF32/ASA/1.0	-	1" ¼	110
VEF34/1.0	DN 40	-	108
VEF34/ASA/1.0	-	1" ½	108
VEF38/1.0	DN 50	-	120
VEF38/ASA/1.0	-	2"	120
VEF42/1.0	DN 65	-	140
VEF42/ASA/1.0	-	2" ½	140
VEF46/1.0	DN 80	-	150
VEF46/ASA/1.0	-	3"	150



ALQEMAGROUP

[www.alqemagroup.net](http://www.alqemagroup.net)

### MAGNETICAL FLOW INDICATOR FOR LIQUID

H



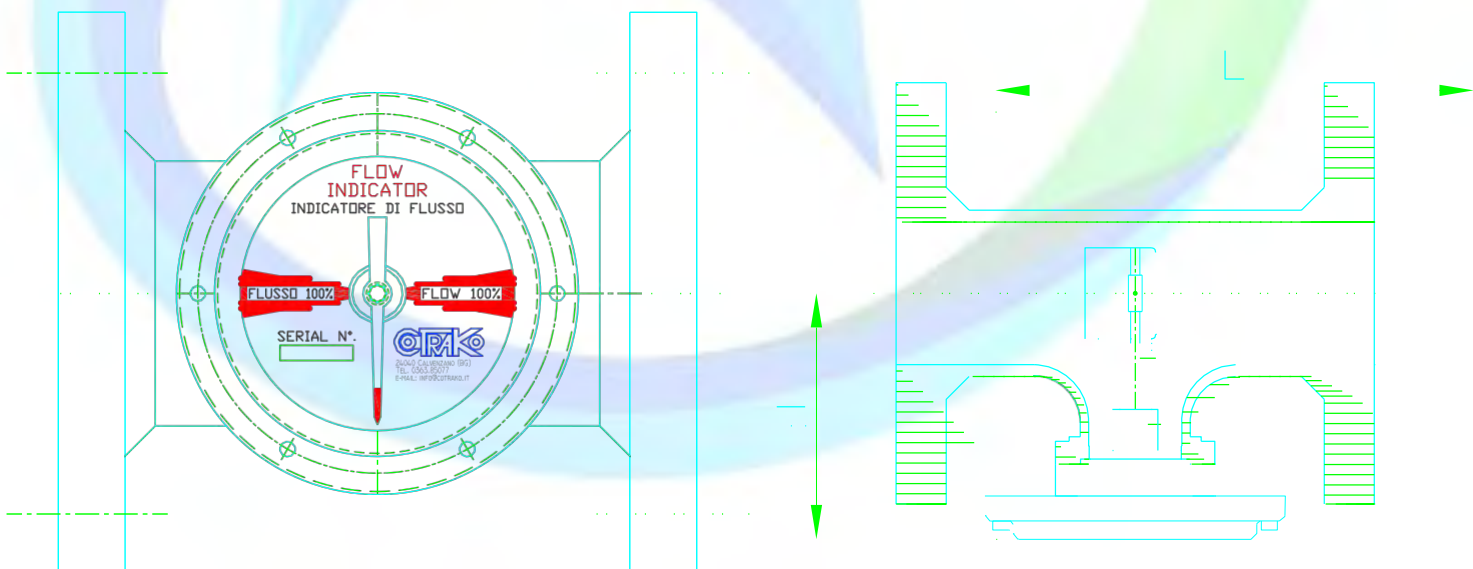
#### Technical features

- In compliance with PED directive
- Operation temperature -40/+80°C
- UNI flanges PN 40
- Replaceable Ø 120 mm (4") dial
- Magnetic trasmission



Code	DN	L	H
IFM-50-1.0	50	180 mm	108 mm
IFM-60-1.0	65	190 mm	108 mm
IFM-80-1.0	80	200 mm	114 mm
IFM-100-1.0	100	240 mm	127 mm

Su richiesta: flangiatura ANSI 150; Upon request: ANSI 150 flanges





ALQEMAGROUP

[www.alqemagroup.net](http://www.alqemagroup.net)

H

### THREADED INTERNAL VALVES



Possibility to mount the pneumatic actuator

These valves, designed as primary shut-offs to control product discharge in LP-Gas service, are predominantly used in the liquid and vapour openings of bobtail and other transport vehicles. All valves satisfy the requirements of NFPA 58 and can also be used in stationary storage tank applications. All Cavagna internal valves have a robust, one piece body design and an incorporated excess flow function. Each valve has a weak section that allows the pump or piping to “shear” in the event of an accident, thereby leaving the valve mechanism intact. Cavagna threaded valves are compact and can be operated either manually or remotely via cable or pneumatic control. Valves contain spring-loaded, PTFE packing providing excellent leakage protection and the standard disc material provided is Nitrile.

#### Threaded Valves specification:

Pressure Rating:	400 PSI WOG
Temperature:	Up to 150°F
Packing:	PTFE
Seat disk:	Synthetic rubber
Stub, Shaft & Stem	Stainless steel



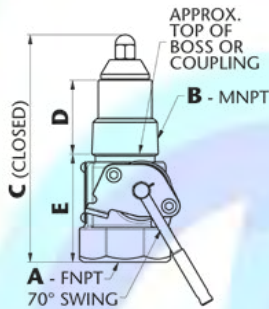


**ALQEMAGROUP**

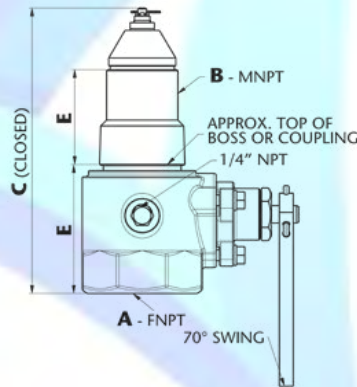
[www.alqemagroup.net](http://www.alqemagroup.net)

Part Number		Material	Connection Inlet M NPT    Outlet F NPT	Closing Flow Propane				LPG Vapour Capacity (Propane)			
One Way	Two ways			Half Coupling		Full Coupling		m <sup>3</sup> /h 1,72 bar	SCFH 25 PSIG	m <sup>3</sup> /h 6,89 bar	SCFH 100 PSIG
				lt/m	GPM	lt/m	GPM				
6902900150		Steel	1" 1/4	114	30			9.854	5.800	15.461	9.100
6902900151				189	50	132	35	12.997	7.650	21.917	12.900
6902900152				303	80	246	65	18.604	10.950	31.941	18.800
6902900147		Steel	1" 1/2	114	30			9.854	5.800	15.461	9.100
6902900148				189	50	132	35	12.997	7.650	21.917	12.900
6902900149				303	80	246	65	18.604	10.950	31.941	18.800
6902900153	6902900176	Steel	2"	379	100	227	60	36.613	21.550	62.523	36.800
6902900154	6902900177			568	150	341	90	57.086	33.600	97.183	57.200
6902900155	6902900178			946	250	492	130				
6902900156	6902900161	Steel	3"	568	150	379	100	48.591	28.600	82.741	48.700
6902900157	6902900162			757	200	473	125	73.907	43.500	125.556	73.900
6902900158	6902900163			946	250	625	165	87.499	51.500	148.832	87.600
6902900159	6902900164			1.514	400	889	235	136.090	80.100	236.161	139.000
6902900160	6902900165			1.893	500	1.230	325				

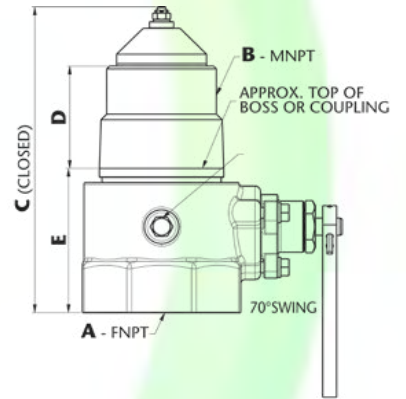
**1" 1/4 ONE WAY**



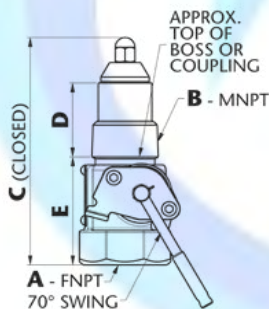
**2" ONE WAY**



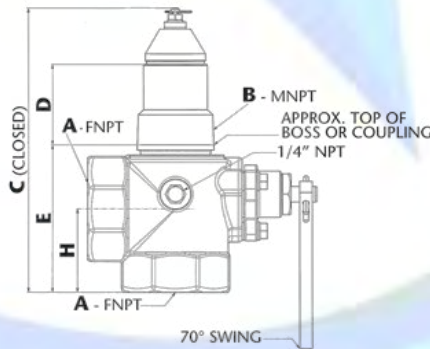
**3" ONE WAY**



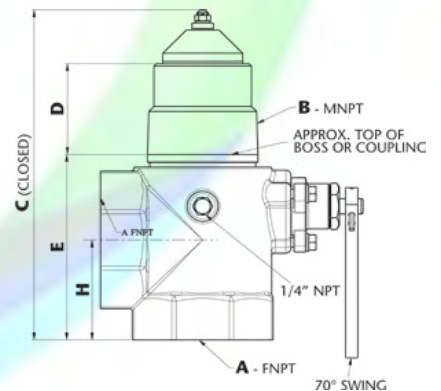
**1" 1/4 TWO WAYS**



**2" TWO WAYS**



**3" TWO WAYS**



**DIMENSIONS**

A	B	C		D	E		H
		One Way	Two Ways		One Way	Two Ways	
1/4 NPT		150 mm/5,90"		47 mm/1,86"	73 mm/2,88"		
1/2 NPT		150 mm/5,90"		47 mm/1,86"	73 mm/2,88"		
2" NPT		210 mm/8,26"		61 mm/2,40"	103 mm/4,05"		
3" NPT		225 mm/8,85"	275 mm/10,82"	65 mm/2,56	115,3 mm/4,54"	165,3 mm/6,50"	83 mm/3,26"



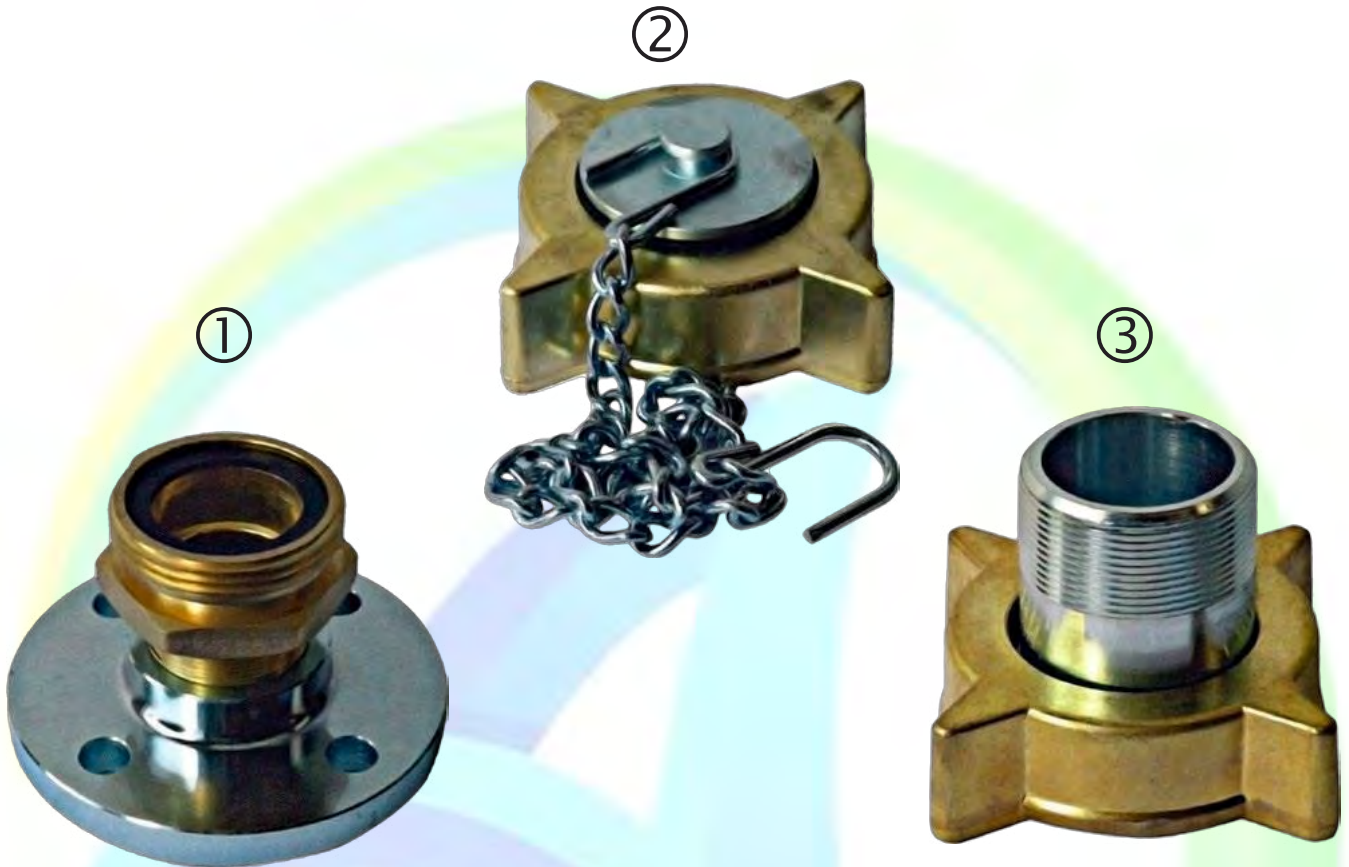
ALQEMAGROUP

[www.alqemagroup.net](http://www.alqemagroup.net)

“ACME” COUPLINGS FOR BOBTAILS

NEW

H



**Materials:**

ACME ring nut in bronze

Flanged and threaded joints in tropicalized carbon steel

/Pic	Code	Connections	Use for	Phase
1	S.RA889 + S.RA216/23	M. 3" 1/4 ACME x UNI DN50 PN40	Bobtails	Liquid
	S.RA887 + S.RA215/22	M. 2" 1/4 ACME x UNI DN40 PN40		Vapor
2	S.RA934 + S.RA953	F. 3" 1/4 ACME + Catenella / Chain	Bobtails	Liquid
	S.RA933 + S.RA953	F. 2" 1/4 ACME + Catenella / Chain		Vapor

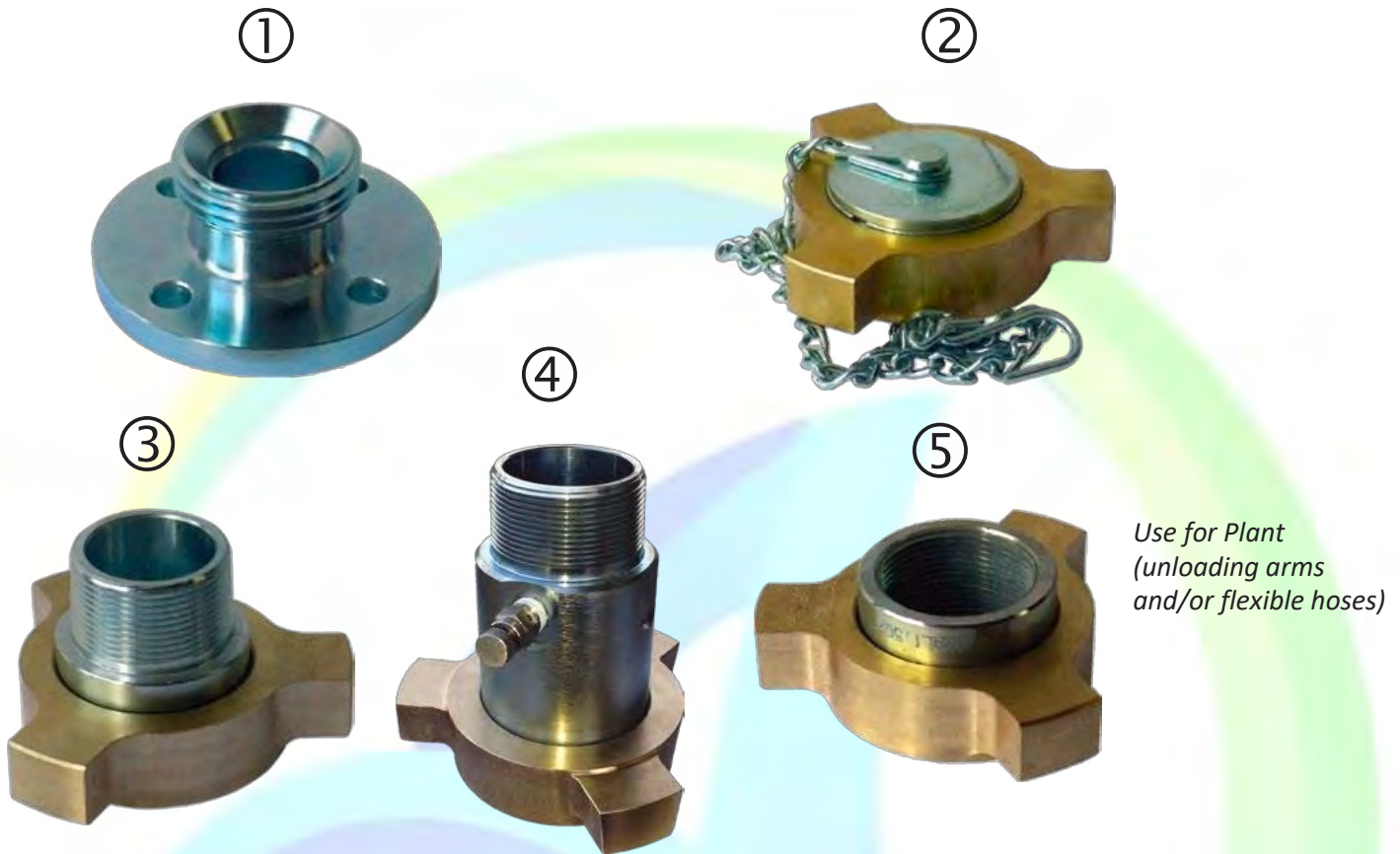


ALQEMAGROUP

[www.alqemagroup.net](http://www.alqemagroup.net)

H

**“WECO” COUPLINGS**



Use for Plant  
(unloading arms  
and/or flexible hoses)

**MATERIALS:**  
ACME ring nut in bronze  
Flanged and threaded joints in tropicalized carbon steel

Pic	Code	Connections	Phase
1	S.RAL2M/50F	M. 2" WECOxUNI DN50 PN40	Liquid
	S.RAL1.5M/40F	M. 1" 1/2 WECO x UNI DN40 PN40	Vapor
2	S.RAL2T/F + S.RA953	F. 2"WECO + Catenella / Chain	Liquid
	S.RAL1.5T/F + S.RA953	F.1" 1/2 WECO + Catenella / Chain	Vapor
3	S.RAL2G/2M	F.2" WECO x M.2" NPT	Liquid
	S.RAL1.5G/1.5M	F. 1" 1/2 WECO x M.1" 1/2NPT	Vapor
4	S.RAL2G/2M-150I	F. 2" WECO x M.2" NPT L=150mm	Liquid
	A086200A	F. 2" WECO x M.2" NPT <i>with excess flow valve</i>	Liquid
	S.RAL1.5G/1.5M-110L	F. 1" 1/2 WECO x M.1" 1/2NPT L=110mm	Vapor
	A086201B	F. 1" 1/2 WECO x M.1" NPT	Vapor
5	A086201A	F. 1" 1/2 WECO x M.1" NPT <i>with excess flow valve</i>	Vapor
	S.RAL2G/2F F	F.2" WECO x F.2" NPT	Liquid
	S.RAL1.5G/1.5	F. 1" 1/2 WECO x F.1 " 1/2NPT	Vapor



ALQEMAGROUP

[www.alqemagroup.net](http://www.alqemagroup.net)

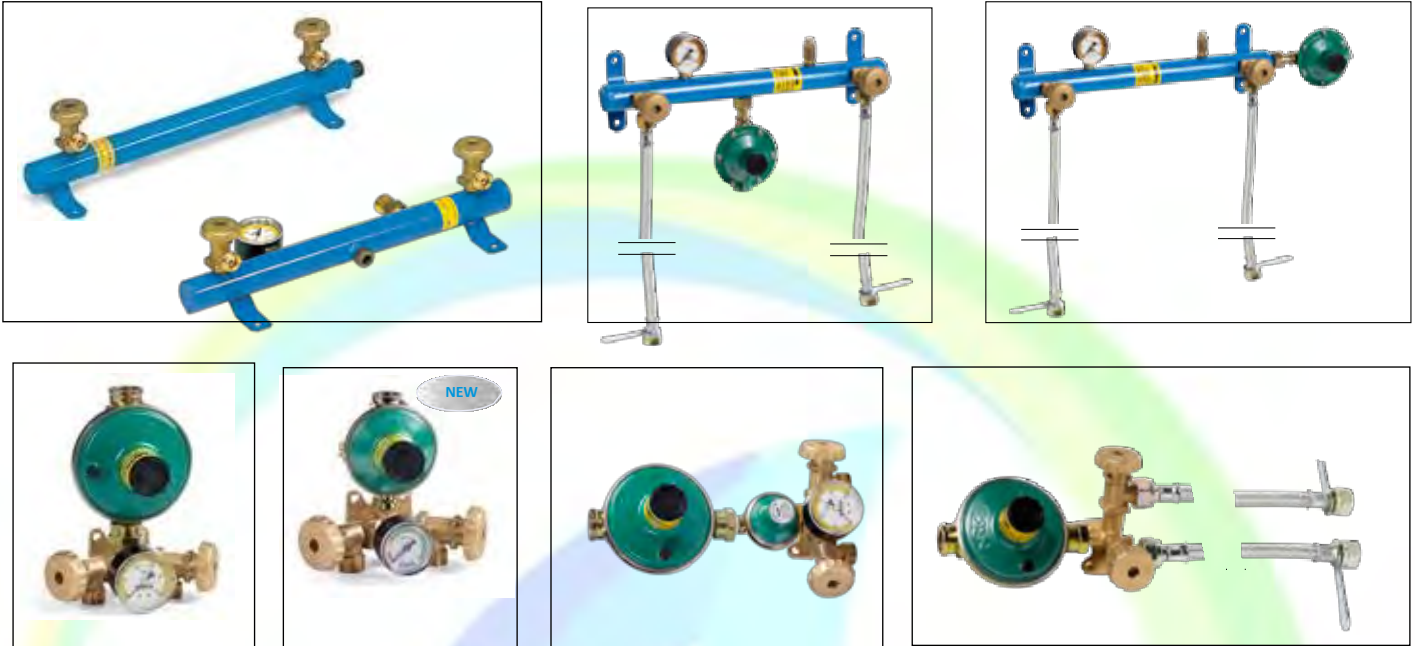
## Fitting & Equipments

# Section I





LPG Accessories



TYPE	CODE	DESCRIPTION	PCS/CRT
<b>CENTRALIZED UNIT FOR 2 CYLINDERS</b>			
CT104UL	CT104.00	standard	2
	CT104.01	standard <b>with safety valves and gauges</b>	2
CT104UC	CT104.40	standard	1
	CT104.41	standard <b>with safety valves and gauges</b>	1
	CT104.50	KIT CT104.40 + 2 MF098.01 + 1 RG008.01	1
<b>STEEL PIPE CENTRALIZED FOR 3 CYLINDERS</b>			
CT104UL	CT104.02	standard	2
	CT104.03	standard <b>with safety valves and gauges</b>	2
	CT104.42	standard / standard	2
<b>STEEL PIPE CENTRALIZED FOR 4 CYLINDERS</b>			
	CT104.05	standard <b>with safety valves and gauges</b>	2
CT104UC	CT104.44	standard	2
	CT104.45	standard <b>with safety valves and gauges</b>	2
<b>MINI-FIXTURE FOR 2 CYLINDERS</b>			
CT103	CT103.03	BP 3-4 KG (RG006.00) - LP 3-4 Kg (RG006.00)	1
	CT103.02	CT103.03 + 2 flex cm. 50 (MF098.01) - CT103.03 and 2 flex. cm.50 (MF098.01)	1
CT1033	CT103.04	LP3-4Kg(RG006.00),2flex.cm.50(MF098.01)andlevelgauge	1
CT103	CT103.13	BP 4 KG (RG008.00) / LP 4 Kg (RG008.00)	1
	CT103.00	CT103.13 + 2 flex cm. 50 (MF098.01) - CT103.13 and 2 flex. cm.50 (MF098.01)	1
	CT103.14	BP 10 KG (RG009.02) - LP 10 Kg (RG009.02)	1
	CT103.10	CT103.14 + 2 flex cm. 50 (MF098.01) - CT103.14 and 2 flex. cm.50 (MF098.01)	1
CT1031	CT103.06	BP 10 KG (RG009.02) - LP 10 Kg (RG009.02) and gauges	1
	CT103.01	CT103.01 + 2 flex cm. 50 (MF098.01) + manometro / CT103.01 and 2 flex. cm.50 (MF098.01) + gauge	1
CT1033	CT103.05	CT103.31 + 2 flex cm. 50 (MF098.01) + indicatore di livello / CT103.31 and 2 flex. cm.50 (MF098.01) + level gauge	1
	CT103.31	BP 10 KG (RG009.02) - LP 10 Kg (RG009.02) and level gauge	1
<b>MINI-FIXTURE FOR 2 CYLINDERS COMPLETE OF FIRST &amp; SECOND STAGE REGULATORS</b>			
CT1032	CT103.24	BP/LP 10 KG + AP/HP 12 KG (RG009.02+RG021.00F) + manometro / gauge	2
	CT103.25	BP/LP 10 KG + AP/HP 12 KG (RG009.02+ RG021.00F) + manometro / gauge + 2 Flex cm. 50	1
	CT103.26	BP/LP 4 KG + AP/HP 12 KG (RG006.00 + RG021.00F)	2
	CT103.27	BP/LP 4 KG + AP/HP 12 KG (RG006.00 + RG021.00F) + 2 Flex cm. 50	1
	CT103.28	BP/LP 10 KG + AP/HP 12 KG (RG009.02+ RG021.00F)	2

## Rubber hoses and A accessories



TYPE	CODE	DESCRIPTION	PCS/CRT
TGR	<b>TG085.00</b>	Rotolo da 50 mt. Tubo gas metano IMQ d. 13x20 / gas natural pipe roll 50 mt. IMQ d. 13x20	1
TGM	<b>TG085.50</b>	Spezzone da 2 mt. Tubo gas metano IMQ d. 13x20 / 2 mt. Gas natural pipe IMQ d. 13x20	5
TGR	<b>TG085.02</b>	Rotolo da 100 mt. Tubo gas gpl IMQ d. 8x13 / lpg gas pipe roll 100 mt. IMQ d. 8x13 (blue)	1
	<b>TG085.03</b>	Rotolo da 100 mt. Tubo gas gpl IMQ d. 8x13 / lpg gas pipe roll 100 mt. IMQ d. 8x13 (black)	1
TGG	<b>TG085.52</b>	Spezzone da 2 mt. Tubo gas gpl IMQ d. 8x13 / 2 mt. Lpg gas pipe IMQ d. 8x13 (blue)	5
TGAP	<b>TG085.04</b>	Rotolo da 50 mt tubo gas gpl 20 bar ISO 3821 d. 8x15 / high pressure 20 bar lpg gas pipe roll (50 mt.) ISO 3821 d. 8x15	1
CH	<b>AB111.00</b>	Chiave per bombola gpl CH 25 (Italia) / Wrench for cylinder LPG CH 25 (Italy)	10
	<b>AB112.00</b>	Chiave per bombola gpl CH 27 (export) / Wrench for cylinder LPG CH 27 (export)	10
GUK	<b>GU086.07</b>	Kit 12 pz. assortiti (6+6) guarnizioni bombole gpl in nbr & salpha / Kit 12 pcs. Assorted (6+6) propane cylinder seals nbr & salpha	10
	<b>GU086.00</b>	Guarnizione bombole gpl in salpha / salpha propane cylinder seals	100
	<b>GU086.01</b>	Guarnizione bombole gpl in nbr / nbr propane cylinder seals	100
	<b>GU086.02</b>	Guarnizione bombole gpl in alluminio / aluminium propane cylinder seals	100
AB065	<b>AB065.00</b>	Tappo cieco in ottone F. W 20 x 1/14" sx (per bombole gpl) / Blind plug brass F. W x 20 1/14 "sx (for LPG cylinders)	10
	<b>AB065.03</b>	Tappo in pvc a strappo (per bombole di gpl) corredato di guarnizione in nbr / Cap pvc tear (for cylinders of gpl) with nbr gasket	150
FF	<b>FF010.MG</b>	Fascetta stingitubo gpl d. 10x16 / LPG hose clamp d. 10x16	100
	<b>FF010.IX</b>	Fascetta inox stingitubo gpl d. 10x16 / Inox LPG hose clamp d. 10x16	100
	<b>FF012.MG</b>	Fascetta stingitubo d. 12x20 / hose clamp d. 12x20	100
	<b>FF012.IX</b>	Fascetta inox stingitubo d. 12x20 / Inox hose clamp d. 12x20	100
	<b>FF017.MG</b>	Fascetta stingitubo d. 15x25 / hose clamp d. 16x27	100
	<b>FF017.IX</b>	Fascetta stingitubo d. 15x25 / Inox hose clamp d. 16x27	100
	<b>FF019.MG</b>	Fascetta stingitubo d. 19x28 / hose clamp d. 19x28	100
	<b>FF020.MG</b>	Fascetta stingitubo d. 19x28 / hose clamp d. 19x28	100
	<b>FF025.MG</b>	Fascetta stingitubo d. 25x38 / hose clamp d. 25x38	100
FF KIT	<b>FF002.SS</b>	AUTOBLOCK Confezione con 3 metri di nastro (fascetta) continuo e 8 dispositivi di trazione / AUTOBLOCK Box 3 m, continous band with 8 locking devices	2
LGM	<b>MN000.50</b>	Indicatore di livello per bombole attacco Italia /Level indicator for camping cylinders For camging cylinders with Italian outlet	10
LGL	<b>MN000.49BL</b>	Indicatore del livello del gas nelle bombole. Con attacco magnetico. Ideale per bombole dai 2 ai 5 kg. / Gas level indicator gas in the cylinders. With magnetic attack. Ideal for 2 to 5 kg cylinders.	10



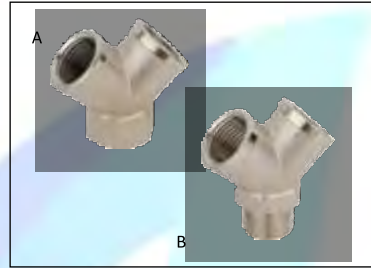
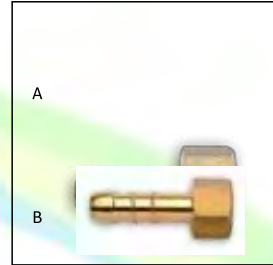
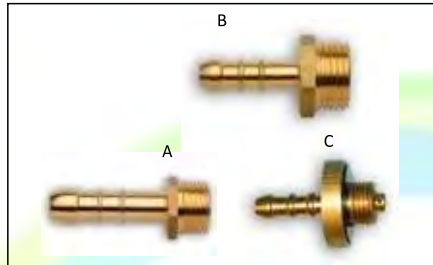
Lpg Brass Fittings



TYPE	CODE	DESCRIPTION	PCS/CRT
RV	RV130.12	Rivelatore portatile per gas combustibili / portable gas leak detector	1
RO760A	RO069.00	Crocera a tre vie con dado centrale e 2 uscite filettate M. W20x1/14" sx - Brass fitting central nut and outputs M. W20x1/14" sx	5
RO760B	RO070.00	Crocera a tre vie con dado centrale e 2 uscite filettate M. W20x1/14" sx - Brass fitting central nut and outputs M. W20x1/14" sx	5
RO076	RO076.BL	Kit Portagomma gpl con dado bombola Italia F. W20x1/14" sx + guarnizione in nbr / Hose nozzle kit for lpl bottle F. W20x1/14" sx + nbr gasket	10
RO086F	RO066.00	Dado Ch25 H13 F. W20x1/14" sx / Ch25 H13 F. W20x1/14" sx Nut	10
	RO066.01	Dado Ch27 H14,3 W21,8x1/14" sx / Ch27 H14,3 F. W21,8x1/14" Sx Nut	10
RO086G	RO066.03	Dado Ch25 H16 F. W20x1/14" sx / Ch25 H16 F. W20x1/14" sx Nut	10
RO086F	RO06625	Dado Ch23 H15 M 20x1,5 F. / Ch23 H15 M 20x1,5 F. Nut	10
RO073	RO073.00	Raccordo / Straight joint M. W21,8x1/14" Sx a/to F. W20x1/14" Sx	10
	RO073.01	Raccordo / Straight joint F. W21,8x1/14" Sx a/to M. W20x1/14" Sx	10
	RO073.02	Raccordo / Straight joint F. M16x1,5 (campingaz) a/to F. W20x1/14" Sx	10
	RO067.00	Raccordo/Straight joint F. 20x1,5 a/to M. W20x1/14" sx	10
RO074	RO074.00	Raccordo / Straight joint M. W20x1/14" Sx a/to M. 1/4" dx bsp	10
	RO074.01	Raccordo / Straight joint M. W20x1/14" Sx a/to M. 3/8" dx bsp	10
	RO074.02	Raccordo / Straight joint M. W20x1/14" Sx a/to M. 1/2" dx bsp	10
	RO074.03	Raccordo / Straight joint M/M W20x1/14" Sx	10
	RO074.06	Raccordo / Straight joint M. W20x1/14" Sx a/to M 16 x 1,5 (campingaz)	10
RO078B	RO078.00	Raccordo 120° tre vie per gpl -120° Three-ways hose nozzle for lpg	10
RO078C	RO078.01	Raccordo 120° tre vie per metano -120° Three-ways hose nozzle for gas natural	10
RO078B	RO078.02	Blister con Raccordo 120° tre vie per gpl -120° Three-ways hose nozzle for lpg Blister	10
RO078D	RO078.03	Raccordo a "Y" tre vie per gpl - "Y" Three-ways hose nozzle for lpg	10
RO078E	RO078.04	Raccordo a "T" tre vie per gpl - "T" Three-ways hose nozzle for lpg	10
RO078A	RO078.09	Blister Crocera a 3 vie con guarnizione e dado F.W20x1/14" Sx+ 2 uscite gpl / Blister with gasket +Three-ways fitting with two hose nozzle outlets & one F.W20x1/14" Sx	10
RO079	RO079.00	Raccordo a 4 vie per gpl / Four-ways hose nozzle for lpg	10
RO081	RO081.00	Raccordo portagomma gpl a due vie / Two-ways hose nozzle for lpg	10



## Gas Brass Fittings



TYPE	CODE	DESCRIPTION	PCS/CRT
RO0761	RO076.10	Portagomma con dado F. 1/4" sx con ogiva diam. 8,2 mm / Diam. 8,2 mm hose nozzle with with left 1/4"nut F.	10
RO080A	RO080.00	Portagomma in zama ad angolo F. 3/8" metano/F. 3/8" threaded elbow hose nozzle in zamak for methane	10
	RO080.01	Portagomma in zama ad angolo F. 1/2" metano/F. 1/2" threaded elbow hose nozzle in zamak for methane	10
RO080B	RO080.02	Riduzione in zama per gpl M. 1/8" /M. 1/8" threaded hose nozzle for lpg in zamak	10
	RO080.03	Riduzione in zama per gpl M. 10x0,75M /M. 10x0,75M threaded hose nozzle for lpg in zamak	10
RO080C	RO080.04	Portagomma in zama ad angolo M. 1/2"xF.1/8" metano/M. 1/2"xF.1/8" threaded elbow hose nozzle in zamak for methane	10
RO082A	RO082.00	Portagomma F. 1/8" Gpl /Lpg F. 1/8" Hose nozzle	10
	RO082.01	Portagomma F. 1/4" Gpl/Lpg F. 1/4" Hose nozzle	10
	RO082.02	Portagomma F. 3/8" Gpl/Lpg F. 3/8" Hose nozzle	10
	RO082.03	Portagomma F. 1/2" Gpl/Lpg F. 1/2" Hose nozzle	10
RO082B	RO082.08	Portagomma F. 3/8" Metano/Natural gas F. 3/8" Hose nozzle	10
	RO082.09	Portagomma F. 1/2" Metano/Natural gas F. 1/2" Hose nozzle	10
RO084A	RO084.01	Portagomma M. 3/8" Metano/Natural gas M. 3/8" Hose nozzle	10
	RO084.02	Portagomma M. 1/2" Metano/Natural gas M. 1/2" Hose nozzle	10
RO084B	RO084.03	Portagomma M. 1/8" Gpl /Lpg M. 1/8" Hose nozzle	10
	RO084.04	Portagomma M. 1/4" Gpl/Lpg M. 1/4" Hose nozzle	10
	RO084.05	Portagomma M. 3/8" Gpl/Lpg M. 3/8" Hose nozzle	10
	RO084.06	Portagomma M. 1/2" Gpl/Lpg M. 1/2" Hose nozzle	10
	RO084.10	Portagomma M. W 20x1/14" Sx Gpl/Lpg M. W 20x1/14" Sx Hose nozzle	10
	RO084.11	Portagomma M. 14x1,5 M Gpl/Lpg M. 14x1,5 M Hose nozzle	10
	RO084.12	Portagomma M. 16x1,5 M Gpl/Lpg M. 16x1,5 M Hose nozzle (Campingaz)	10
RT062	RT062.28	Raccordo M. 3/8" per tubo rame diam. 8 mm / M. 3/8" Fitting for copper pipe diam. 8 mm	10
	RT062.29	Raccordo M. 3/8" per tubo rame diam. 10 mm / M. 3/8" Fitting for copper pipe diam. 10 mm	10










TYPE	CODE	DESCRIPTION	PCS/CRT
RO050	RO050.00	Tappo maschio / Male plug 1/4"	10
	RO050.01	Tappo maschio / Male plug 3/8"	10
	RO050.02	Tappo maschio / Male plug 1/2"	10
	RO050.03	Tappo maschio / Male plug 3/4"	10
	RO050.04	Tappo maschio / Male plug 1"	10
	RO050.05	Tappo maschio / Male plug 1 1/4"	1
	RO050.06	Tappo maschio / Male plug 1 1/2"	1
RO051	RO051.00	Riduzione esagonale / Hexagonal reduction MF 1/4"x1/8"	10
	RO051.01	Riduzione esagonale / Hexagonal reduction MF 3/8"x1/4"	10
	RO051.02	Riduzione esagonale / Hexagonal reduction MF 1/2"x1/4"	10
	RO051.03	Riduzione esagonale / Hexagonal reduction MF 1/2"x3/8"	10
	RO051.04	Riduzione esagonale / Hexagonal reduction MF 3/4"x3/8"	10
	RO051.05	Riduzione esagonale / Hexagonal reduction MF 3/4"x1/2"	10
	RO051.06	Riduzione esagonale / Hexagonal reduction MF 1"x1/2"	10
	RO051.07	Riduzione esagonale / Hexagonal reduction MF 1"x3/4"	10
	RO051.08	Riduzione esagonale / Hexagonal reduction MF 1"1/4x1/2"	1
	RO051.09	Riduzione esagonale / Hexagonal reduction MF 1"1/4x3/4"	1
	RO051.10	Riduzione esagonale / Hexagonal reduction MF 1"1/4x1"	1
	RO051.11	Riduzione esagonale / Hexagonal reduction MF 1"1/2x1/2"	1
	RO051.12	Riduzione esagonale / Hexagonal reduction MF 1"1/2x3/4"	1
	RO051.13	Riduzione esagonale / Hexagonal reduction MF 1"1/2x1"	1
	RO051.14	Riduzione esagonale / Hexagonal reduction MF 1"1/2x1"1/4	1
	RO051.15	Riduzione esagonale / Hexagonal reduction MF 2"x1"	1
	RO051.16	Riduzione esagonale / Hexagonal reduction MF 2"x1"1/4	1
	RO051.17	Riduzione esagonale / Hexagonal reduction MF 2"x1"1/2	1
	RO051.18	Riduzione esagonale / Hexagonal reduction MF 2"1/2x2"	1
	RO051.19	Riduzione esagonale / Hexagonal reduction MF 3"x2"	1
RO051.20	Riduzione esagonale / Hexagonal reduction MF 4"x3"	1	
RO052	RO052.00	Racordo a 3 vie / 3 ways brass fitting F/F/F/ 1/4"	10
	RO052.01	Racordo a 3 vie / 3 ways brass fitting F/F/F/ 3/8"	10
	RO052.02	Racordo a 3 vie / 3 ways brass fitting F/F/F/ 1/2"	10
	RO052.03	Racordo a 3 vie / 3 ways brass fitting F/F/F/ 3/4"	10
	RO052.04	Racordo a 3 vie / 3 ways brass fitting F/F/F/ 1"	10
	RO052.05	Racordo a 3 vie / 3 ways brass fitting F/F/F/ 1 1/4"	1
	RO052.06	Racordo a 3 vie / 3 ways brass fitting F/F/F/ 1 1/2"	1
RO052.07	Racordo a 3 vie / 3 ways brass fitting F/F/F/ 2"	1	
RO0525	RO052.50	Gomito / Elbow FF 1/4"	10
	RO052.51	Gomito / Elbow FF 3/8"	10
	RO052.52	Gomito / Elbow FF 1/2"	10
	RO052.53	Gomito / Elbow FF 3/4"	10
	RO052.54	Gomito / Elbow FF 1"	10
	RO052.55	Gomito / Elbow FF 1 1/4"	1
	RO052.56	Gomito / Elbow FF 1 1/2"	1
RO052.57	Gomito / Elbow FF 2"	1	
RO0528	RO052.80	Gomito / Elbow MF 1/4"	10
	RO052.81	Gomito / Elbow MF 3/8"	10
	RO052.82	Gomito / Elbow MF 1/2"	10
	RO052.83	Gomito / Elbow MF 3/4"	10
	RO052.84	Gomito / Elbow MF 1"	10
	RO052.85	Gomito / Elbow MF 1 1/4"	1
	RO052.86	Gomito / Elbow MF 1 1/2"	1
RO052.87	Gomito / Elbow MF 2"	1	





TYPE	CODE	DESCRIPTION	PCS/CRT
 RO053	RO053.00	Nipples doppio / Double Nipple MM 1/4"	10
	RO053.01	Nipples doppio / Double Nipple MM 3/8"	10
	RO053.02	Nipples doppio / Double Nipple MM 1/2"	10
	RO053.03	Nipples doppio / Double Nipple MM 3/4"	10
	RO053.04	Nipples doppio / Double Nipple MM 1"	10
	RO053.05	Nipples doppio / Double Nipple MM 1 1/4"	10
	RO053.06	Nipples doppio / Double Nipple MM 1 1/2"	10
 RO054	RO054.00	Manicotto / Sleeve FF 1/4"	10
	RO054.01	Manicotto / Sleeve FF 3/8"	10
	RO054.02	Manicotto / Sleeve FF 1/2"	10
	RO054.03	Manicotto / Sleeve FF 3/4"	10
	RO054.04	Manicotto / Sleeve FF 1"	10
	RO054.05	Manicotto / Sleeve FF 1 1/4"	10
	RO054.06	Manicotto / Sleeve FF 1 1/2"	10
 RO055	RO055.00	Nipples tutto filetto / Nipple all thread MM 1/2"	10
	RO055.01	Nipples tutto filetto / Nipple all thread MM 3/4"	10
	RO055.02	Nipples tutto filetto / Nipple all thread MM 1"	10
	RO055.03	Nipples tutto filetto / Nipple all thread MM 1 1/4"	10
	RO055.04	Nipples tutto filetto / Nipple all thread MM 1 1/2"	10
 RO056	RO056.00	Tappo femmina / Female plug 1/4"	10
	RO056.01	Tappo femmina / Female plug 3/8"	10
	RO056.02	Tappo femmina / Female plug 1/2"	10
	RO056.03	Tappo femmina / Female plug 3/4"	10
	RO056.04	Tappo femmina / Female plug 1"	10
	RO056.05	Tappo femmina / Female plug 1 1/4"	10
	RO056.06	Tappo femmina / Female plug 1 1/2"	10
 RO089	RO089.47	Nipples doppio ridotto / Reduced double nipple MM 1/4"x 1/8"	10
	RO089.48	Nipples doppio ridotto / Reduced double nipple MM 3/8"x 1/4"	10
	RO089.49	Nipples doppio ridotto / Reduced double nipple MM 1/2"x 1/4"	10
	RO089.50	Nipples doppio ridotto / Reduced double nipple MM 1/2"x 3/8"	10
	RO089.51	Nipples doppio ridotto / Reduced double nipple MM 3/4"x 1/2"	10
	RO089.52	Nipples doppio ridotto / Reduced double nipple MM 1"x 1/2"	10
	RO089.53	Nipples doppio ridotto / Reduced double nipple MM 1"x 3/4"	10
	RO089.54	Nipples doppio ridotto / Reduced double nipple MM 1 1/4"x 1"	10
	RO089.55	Nipples doppio ridotto / Reduced double nipple MM 1 1/2"x 1"	1
	RO089.56	Nipples doppio ridotto / Reduced double nipple MM 1 1/2"x 1 1/4"	1
RO089.57	Nipples doppio ridotto / Reduced double nipple MM 2"x 1 1/4"	1	
RO089.58	Nipples doppio ridotto / Reduced double nipple MM 2"x 1 1/2"	1	



ALQEMAGROUP

[www.alqemagroup.net](http://www.alqemagroup.net)

## Copper Fitting & Pipe

# Section J





## Standard Approval and Guaranty

It is Pegler Yorkshire’s policy to provide a range of products and services which meet, or exceed, the requirements of our customers in respect of quality, cost and delivery.

### GUARANTEES

Our policy of continuously and rigorously testing Endex end feed fittings means we are confident they will give you years of trouble free service. To demonstrate the total confidence we have in our products and our commitment to customer service, all Endex end feed fittings are guaranteed against manufacturing defects for 25 years, when installed in accordance with our instructions on specified tube materials and applications.

### QUALITY

Quality is of paramount importance to Pegler Yorkshire. Our products conform to current British, European and International standards where applicable and also meet our own rigorous internal quality approvals.

Pegler Yorkshire operates a Quality Management System for the development, manufacture and supply of fittings, tube, valves and accessories which complies with the requirements of BS EN ISO 9001:2000.

Pegler Yorkshire is a British Standards Institution registered company.

### THE ENDEX RANGE MEETS THE FOLLOWING STANDARDS: ENDEX FITTINGS

All Endex general range fittings are listed and comply with the requirements of The Water Supply (Water Fittings) Regulations/Byelaws (Scotland).

**BS EN 1254** Part 1 Specification for copper and copper alloy fittings with capillary ends for soldering and brazing for use with copper tubes.

**BS EN ISO 228** (formerly BS 2779/ISO 228/1) Specification for tubes and fittings where pressure tight joints are not made on the threads (metric dimensions).

**BS 7786** Specification for PTFE tape for water and general applications.

**BS EN 751-3** (formerly BS 6974) Specification for PTFE tape for gas applications.

### ENDBRAZE FITTINGS

All Endex general range fittings are listed and comply with the requirements of The Water Supply (Water Fittings) Regulations/Byelaws (Scotland).

**BS EN 1254** Part 5 Specification for copper and copper alloy fittings with short ends for capillary brazing to copper tube.

**BS 10** (obsolescent) Specification for flanges and bolting for pipes, valves and fittings.

**BS EN 1092-3** (formerly BS 4504 Part 3.3) Specification for copper alloy circular flanges and their joints. PN designated.

**BS EN 1044** (formerly BS 1845) Specification for filler metals for brazing.

### ENDEX WASTE FITTINGS

Endex waste fittings are manufactured to our own exacting standards.

### PRODUCT APPROVALS

Product	WRAS	Kiwa	DVGW	Kitemark	GL Industries	Gute	EM1
Endex end feed	4	4	4	4	4	4	4

### MARKINGS

#### UNIVERSAL MARKING

All dezincification resistant Endex fittings carry the distinctive CR mark.

All Endex products display the RYW symbol, a brand recognised throughout Europe.

### GUNMETAL

Some Endex fittings and valves are manufactured from gunmetal and can be identified by the mark on the body.



<b>N1/5270</b> <b>Straight coupling</b> Copper x copper			
Size	a	Za	Code
6mm	16	1	88010
8mm	20	1	88011
10mm	17	1	88012
12mm	19	2	88013
<b>15mm•</b>	23	1	88015
16mm	25	1	88016
18mm	27	1	85890
<b>22mm•</b>	32	1	88019
28mm	38	1	88022
35mm	48	2	88023
42mm	56	2	88026
54mm	65	2	88027

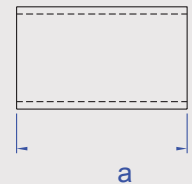
<b>N1IM/5241</b> <b>Adaptor coupling</b> Imperial copper x metric copper			
Size	a	Za	Code
15mm x 1/2"	23	1	88047
22mm x 3/4"	35	2	88048
28mm x 1"	42	1	88049

<b>N1R/5240</b> <b>Reducing coupling</b> Copper x copper			
Size	a	Za	Code
8 x 6mm	16	3	88051
10 x 8mm	19	2	88053
12 x 8mm	23	4	85657D
12 x 10mm	21	3	88055
15 x 10mm	26	6	88059
15 x 12mm	24	5	88060
16 x 12mm	26	4	88062
18 x 10mm	30	7	88064



Size	a	Za	Code
18 x 12mm	29	6	85668D
18 x 15mm	29	4	85670D
18 x 16mm	28	2	85671D
22 x 12mm	36	10	85676D
22 x 15mm	35	7	88076
22 x 16mm	35	6	88077
22 x 18mm	35	5	80601D
28 x 12mm	43	15	85682D
28 x 15mm	45	14	88089
28 x 16mm	44	13	85685D
28 x 18mm	42	10	85686D
28 x 22mm	42	7	88094
32 x 22mm			89895
35 x 18mm	55	17	85692D
35 x 28mm	50	7	88099
42 x 22mm	66	23	88101
42 x 28mm	62	14	89898
42 x 35mm	60	7	88103
54 x 28mm	76	24	80603
54 x 35mm	78	18	85700
54 x 42mm	77	14	88108

**N1SLIP/5270S**  
**Straight coupling, slip pattern**  
 Copper x copper



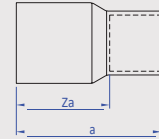
Size	a	Code
12mm	17	85969D
15mm	23	88037
18mm	26	85892
22mm	41	88039
28mm	38	88042
35mm	46	88031
42mm	54	88032
54mm	64	88033



**N6/5243**

**Reducer**

Larger end male copper for insertion into fitting x female copper



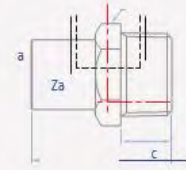
Size	a	Za	Code
8 x 6mm	18	12	88240
10 x 6mm	18	12	88241
10 x 8mm	19	12	88247
12 x 8mm	21	14	88244
12 x 10mm	21	13	88245
15 x 8mm	25	17	88248
15 x 10mm	24	16	88249
15 x 12mm	23	15	88250
16 x 10mm	26	18	88258
16 x 12mm	24	15	88259
18 x 10mm	29	21	85736D
18 x 12mm	27	17	85737D
18 x 15mm	28	17	85739D
Size	a	Za	Code
22 x 10mm	35	28	88264
22 x 12mm	34	26	88265
22 x 15mm•	33	22	88267
22 x 16mm	32	21	88261
22 x 18mm	33	19	85750
28 x 12mm	43	33	85753D
28 x 15mm	41	29	88280
28 x 16mm	33	22	89852
28 x 18mm	41	28	85757D
28 x 22mm	42	24	88284
35 x 15mm	56	43	88287
35 x 18mm	54	41	89902
35 x 22mm	50	35	88289
35 x 28mm	49	21	88290
42 x 15mm	62	49	88293
42 x 22mm	61	45	88296
42 x 28mm	60	40	88297
42 x 35mm	58	34	88298
54 x 15mm	84	73	88300
54 x 22mm	66	49	88301
54 x 28mm	59	38	88302
54 x 35mm	74	50	88303
54 x 42mm	71	42	88304



**N13/4092G**

**Male elbow**

Copper x BSP taper male thread

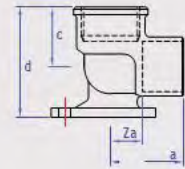


Size	a	c	Za	Code
12mm x 3/8"	15	24	6	84535
15mm x 1/2"	20	33	9	88497
15mm x 3/4"	22	29	11	84541
18mm x 1/2"	22	30	9	84543
18mm x 3/4"	25	31	12	84544
22mm x 3/4"	27	34	11	88505
22mm x 1"	30	38	14	84547
28mm x 1"	34	38	15	88509
35mm x 1 1/4"	45	50	21	88510
42mm x 1 1/2"	48	52	20	88511
54mm x 2"	60	60	27	88512

**N14/4090G**

**Female elbow**

Copper x BSP parallel female thread

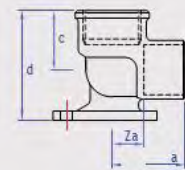


Size	a	c	Za	Code
15mm x 1/2"	23	21	12	88525
15mm x 3/4"	25	23	14	88526
18mm x 1/2"	25	22	12	89825
18mm x 3/4"	28	25	15	84516
22mm x 1/2"	27	24	12	88534
22mm x 3/4"	30	27	14	88535
22mm x 1"	33	32	18	84519
28mm x 1"	34	37	15	88540
35mm x 1 3/4"	36	40	13	88542
42mm x 1 1/2"	39	47	12	88543
54mm x 2"	52	53	20	88544

**N15**

**Backplate elbow**

Copper x BSP parallel female thread. Triangular backplate with three hole fixing



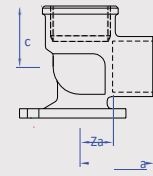
Size	a	c	d	Za	Code
15mm x 1/2"	23	41	40	12	88555
22mm x 3/4"	31	27	49	15	88559





**N15F/4471G**  
**Backplate elbow**

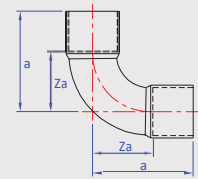
Copper x BSP parallel female thread. Triangular backplate with three hole fixing



Size	a	c	Za	Code
12mm x 1/2"	21	19	12	84915
18mm x 1/2"	25	22	12	84919
18mm x 3/4"	27	24	15	84920

**N18/5002A**  
**Slow bend**

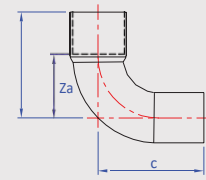
Copper x copper



Size	a	Za	Code
6mm	15	9	88582
8mm	17	10	88583
10mm	20	10	80674
12mm	24	15	80675
15mm	29	7	88584
18mm	34	22	88585
22mm	43	26	88588
28mm	52	33	88590
35mm	65	41	88591
42mm	79	54	88593
54mm	95	62	88594

**N18S/5001A**  
**Slow street bend**

Female copper x male copper for insertion into fitting



Size	a	c	Za	Code
12mm	23	24	8	80663
15mm	29	31	18	88602
16mm	31	32	20	88603
18mm	34	35	22	88100
22mm	43	44	26	88604
28mm	52	54	33	88605
35mm	65	67	42	85030
42mm	77	79	50	85032
54mm	97	99	65	85033



**N20/5060**  
**Return bend**  
 Copper x copper



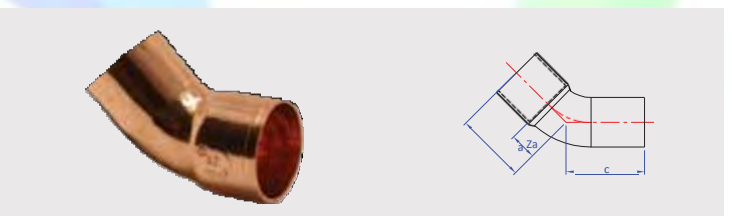
Size	a	r	Za	Code
12mm	26	17	17	88621
15mm	35	22	23	88622
18mm	39	26	26	85196D
22mm	49	33	36	88624
28mm	62	40	42	88625
35mm	75	52	52	85199D

**N21/5041**  
**Obtuse elbow 45°**  
 Copper x copper



Size	a	Za	Code
12mm	14	5	85163D
15mm	18	7	88640
18mm	20	7	85167D
22mm	26	10	88645
28mm	29	10	88647
35mm	38	15	88648
42mm	43	16	88650
54mm	54	22	88651

**N21S/5040**  
**Obtuse street elbow 45°**  
 Female copper x male copper for insertion into fitting

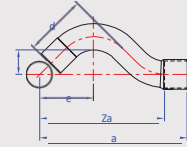


Size	a	c	Za	Code
10mm	14	16	6	85128D
12mm	12	13	4	85129D
15mm	17	19	6	88661
16mm	19	19	8	85132D
18mm	20	21	7	85133D
22mm	26	27	12	88665
28mm	29	30	10	88667
35mm	38	39	15	88671
42mm	42	15	46	88673
54mm	61	29	62	88674



**N22/5086**  
**Partial crossover**

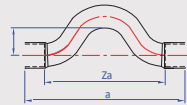
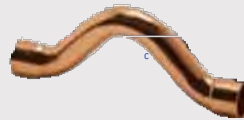
Female copper x male copper for insertion into fitting



Size	a	c	d	e	Za	Code
12mm	80	20	44	31	71	85238D
15mm	87	19	36	36	81	88682
18mm	99	20	42	36	86	85242D
22mm	115	20	49	44	100	88685

**N23/5085**  
**Full crossover**

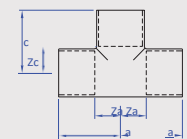
Copper x copper



Size	a	c	Za	Code
12mm	98	20	81	85217D
15mm	113	20	89	88692
18mm	126	20	101	85221D
22mm	142	20	110	88695

**N24/5130**  
**Equal tee**

All ends for copper

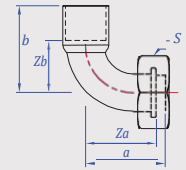


Size	a	c	Za	Zc	Code
6mm	11	11	5	5	88700
8mm	13	13	6	6	88701
10mm	15	15	6	6	88702
12mm	17	17	8	8	88703
15mm•	19	19	7	7	88705
16mm	20	20	10	10	85354D
18mm	23	23	10	10	80250
22mm•	29	29	13	13	88709
28mm	36	36	16	16	88711
35mm	43	43	21	21	88713
42mm	51	51	24	24	88716
54mm	62	62	30	30	88717



**N63  
Bent tap connector**

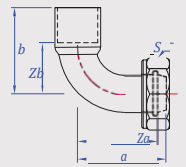
Copper x BSP hexagonal union nut spigot and washer joint



Size	a	b	Za	Zb	s	Code
15mm x 1/2"	38	28	33	18	24	89110
15mm x 3/4"	37	34	24	18	24	89116
22mm x 3/4"	51	42	45	22	30	89111

**N64/4096C  
Bent union adaptor**

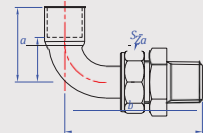
Copper x BSP union nut. Cone joint to BS 1010. The 15mm and 22mm sizes are supplied with bent copper tails



Size	a	b	Za	Zb	S	Code
15mm x 3/4"	47	40	40	29	31	89120
22mm x 1"	64	49	56	33	37	89127
28mm x 1 1/4"	49	51	39	32	46	89135

**N65  
Bent male union connector**

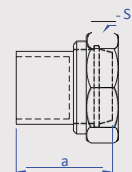
Copper x BSP taper male thread. Cone joint to BS 1010. The 15mm and 22mm sizes are supplied with bent copper tails



Size	a	b	Za	S	Code
15mm x 1/2"	38	82	24	30	89145
22mm x 3/4"	46	100	30	37	89152
28mm x 1"	49	88	30	46	89155
35mm x 1 1/4"	81	114	58	53	89156

**N68  
Straight union adaptor**

Copper x BSP union nut. Cone joint to BS 1010

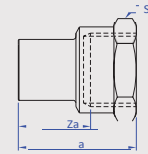


Size	a	S	Code
15mm x 3/4"	27	30	89190
22mm x 1"	31	37	89197
28mm x 1 1/4"	33	46	89205



**N7DW**  
**Female adaptor**

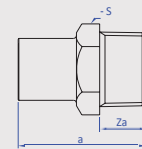
Male copper for insertion into fitting x BSP parallel female thread



Size	a	Za	S	Code
15mm x 1/2"	30	20	25	88320DW
22mm x 3/4"	37	22	30	88321DW

**N8DW**  
**Male adaptor**

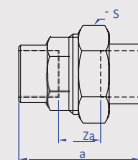
Male copper for insertion into fitting x BSP taper male thread



Size	a	Za	S	Code
15mm x 1/2"	37	15	24	88330DW
22mm x 3/4"	40	16	25	88331DW
28mm x 1"				88332DW
42mm x 1 1/2"				88334DW


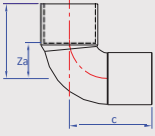
**N11DW**  
**Union coupling**

Copper x copper. Cone joint to BS 1010


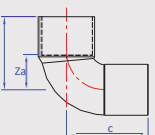


Size	a	Za	S	Code
15mm	56	30	30	88400DW
22mm	60	44	38	88401DW
28mm	57	39	46	88402DW
35mm	61	24	53	88403DW
42mm	70	43	65	88404DW
54mm	88	56	82	88405DW



N12DW Elbow Copper x copper			
Size	a	Za	Code
6mm	17	10	88441DW
8mm	19	11	88440DW
10mm	17	9	88442DW
12mm	19	10	88443DW
15mm	22	12	88445DW
22mm	29	10	88450DW
28mm	37	18	88451DW
35mm	46	23	88452DW
42mm	56	29	88454DW
54mm	66	33	88455DW

N12RDW Reducing elbow Copper x copper					
Size	a	c	Za	Zc	Code
22 x 15mm	37	28	17	17	88483DW

N12SDW Street elbow Female copper x male copper for insertion into fitting				
Size	a	c	Za	Code
15mm	23	25	12	88465DW
22mm	35	33	16	88470DW
28mm	41	39	19	88471DW
35mm	49	45	25	88472DW

N13DW Male elbow Copper x BSP taper male thread				
Size	a	c	Za	Code
15mm x 1/2"	20	33	9	88497DW



ALQEMAGROUP

[www.alqemagroup.net](http://www.alqemagroup.net)

## Pipe support

# Section K





		
SINGLE RIGN WITHOUT RUBBER	SINGLE RING WITH RUBBER	DOUBLE RING WITHOUT RUBBER
M10	M10	M10
M12	M12	M12
M14	M14	M14
M16	M16	M16
M18	M18	M18
M20	M20	M20
M22	M22	M22
M25	M25	M28
M26	M26	Double ring with rubber
M28	M28	M10
M30	M32	M12
M32	M40	M14
M40	M42	M16
M42	M50	M18
M50	M60	M20
M63	M63	M22
		M28

Remarks: MOQ 5,000pcs for each type, only accept order value more than \$8000





### 1.5mm thick Rubber Clamp M8+10 Price List

K

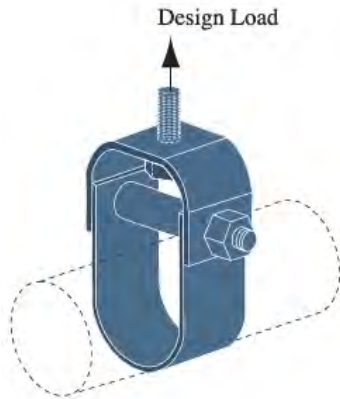


Diameter range	Size MM	INCH	Weight/1 k pcs	Pcs/ carton	Pcs/ pallet
12-16	15	1/4	50	250	
15-19	18	3/8	56	250	14000
20-25	20	1/2	62	200	12000
26-30	28	3/4	68	200	10000
32-36	35	1	72	200	8000
38-43	40	1 1/4	82	200	7500
47-51	48	1 1/2	87.5	200	6000
53-58	54	1 3/4	95	100	
60-64	60	2	100	100	4800
68-72	68	2 1/4	110	100	
75-80	75	2 1/2	125	100	4800
87-92	90	3	145	100	4000
99-105	100	3-1/2	152	100	3200
107-112	110	4	160	50	3200
125-130	125	4 1/2	175	50	
138-142	140	5	190	50	2800
159-166	160	6	220	25	1600
200-212	200	8	260	25	1400
248-252	250	10		25	
312-318	315			20	
399-405	400			20	

Remarks: MOQ 5,000pcs for each type, only accept order value more than \$8000



## DP – Type clevis hanger, standard duty



吊夹编号 Part No.	公称直径 Pipe Size (In)	管材外径 O.D. Size (mm)	吊杆 Rod	材料 Size of Steel		螺栓 Bolt	设计荷载 Design Load (KN)
				上片 Upper	下片 Lower		
PD-B-015	1/2	21.3	M10	3*25	3*25	M6	2.5
PD-B-020	3/4	26.7	M10	3*25	3*25	M6	2.5
PD-B-025	1	33.4	M10	3*25	3*25	M6	2.5
PD-B-032	1 1/4	42.2	M10	3*25	3*25	M6	2.5
PD-B-040	1 1/2	48.3	M10	3*25	3*25	M6	2.5
PD-B-050	2	60.3	M10	3*25	3*25	M6	2.5
PD-B-065	2 1/2	73.0	M12	5*30	5*30	M8	5.0
PD-B-080	3	88.9	M12	5*30	5*30	M8	5.0
PD-B-090	3 1/2	101.6	M12	5*30	5*30	M8	5.0
PD-B-100	4	114.3	M16	6*30	5*30	M10	6.0
PD-B-125	5	141.3	M16	6*30	5*30	M12	6.0
PD-B-150	6	168.3	M20	6*40	5*40	M12	8.0
PD-B-200	8	219.1	M20	6*45	5*45	M12	9.0
PD-B-250	10	273.1	M20	10*45	6*45	M16	15.0
PD-B-300	12	323.9	M20	10*50	6*50	M16	16.7
PD-B-350	14	355.6	M24	12*50	6*50	M20	17.1
PD-B-400	16	406.4	M24	12*60	6*60	M20	18.0
PD-B-450	18	457.2	M24	12*60	6*60	M20	18.0
PD-B-500	20	508.0	M30	16*75	10*75	M24	21.8
PD-B-600	24	609.6	M30	16*75	10*75	M24	21.8
PD-B-750	30	762.0	M30	20*75	10*75	M24	27.3
PD-B-900	36	914.4	M36	20*75	10*75	M30	27.3

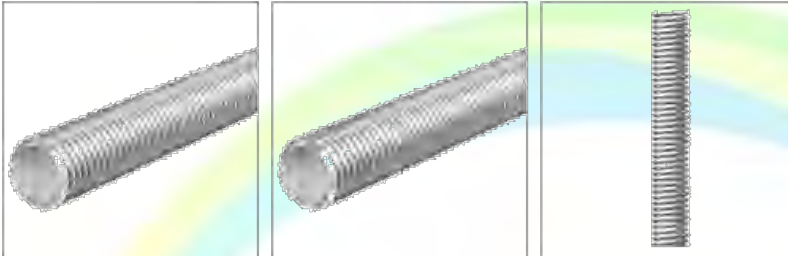


吊夹编号 Part No.	公称直径 Pipe Size (In)	管材外径 O.D. Size (mm)	吊杆 Rod	材料 Size of Steel		螺栓 Bolt	设计荷载 Design Load (KN)
				上片 Upper	下片 Lower		
PD-015	1/2	21.3	M10	1.5*25	1.5*25	M6	1.2
PD-020	3/4	26.7	M10	1.5*25	1.5*25	M6	1.2
PD-025	1	33.4	M10	1.5*25	1.5*25	M6	1.2
PD-032	1 1/4	42.2	M10	1.5*25	1.5*25	M6	1.2
PD-040	1 1/2	48.3	M10	2*25	1.5*25	M6	1.2
PD-050	2	60.3	M10	2*25	1.5*25	M6	1.2
PD-065	2 1/2	73.0	M12	2.5*30	2*30	M8	1.7
PD-080	3	88.9	M12	2.5*30	2*30	M8	1.7
PD-090	3 1/2	101.6	M12	3*30	2*30	M8	1.7
PD-100	4	114.3	M12	3*30	2*30	M8	1.7
PD-125	5	141.3	M12	5*30	3*30	M10	4.3
PD-150	6	168.3	M12	5*30	3*30	M10	4.3
PD-200	8	219.1	M12	5*40	4*40	M10	5.7



## D Threaded rods

For all fixing and construction requiring threaded rod



Type	Connection	Length [m]	Max. working load [N]	Qty	Order Code
D 6	M 6	1	2500	100	70011
D 8	M 8	1	4500	50	70012
D 8	M 8	3	4500	50	70042
D 8	M 8	3	4500	50	70032
D 10	M 10	1	7000	25	70013
D 10 copper	M 10	1	7000	1 m	70095
D 10	M 10	2	7000	25	70033
D 10	M 10	3	7000	25	70043
D 12	M 12	1	10000	20	70014
D 12	M 12	2	10000	20	70034
D 12	M 12	3	10000	20	70044
D 16 [3m]	M 16	3	18000	20	70045
D 16	M 16	1	18000	10	70015
D 16	M 16	3	18000	10	70035
D 20	M 20	1	25000	5	70016

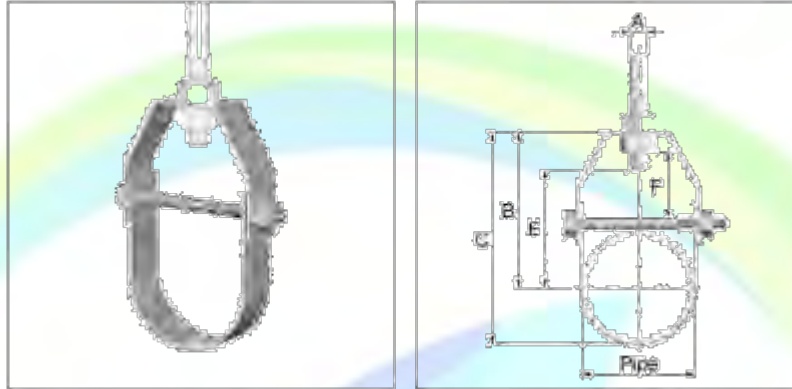
### Technical information:

- Electrolytically zinc plated
- Steel grade 4.8
- In accordance with DN 976-1
- Material S235JR EN 10250/2



## CH – G Clevis hanger

Standard. Adjustable clevis hanger



Type	Ø Pipe		Material size		Dimensions						Max. rec. working load [lbs]	Weight [lbs]	###	Order Code
	Nom. [']	OD [']	Top [']	Bottom [']	Bolt [']	A [']	B [']	C [']	E ** [']	F [']				
CH-G 1/2	1/2	0.840	13ga x 7/8	13ga x 7/8	1/4	3/8	1 11/16	2 1/16	15/16	7/16	610	0.18	1	87000
CH-G 3/4	3/4	1.050	13ga x 7/8	13ga x 7/8	1/4	3/8	1 11/16	2 9/16	15/16	7/16	610	0.18	1	87001
CH-G 1	1	1.315	13ga x 7/8	13ga x 7/8	1/4	3/8	2 1/16	2 11/16	1 1/4	5/8	610	0.22	1	87002
CH-G 1 1/4	1 1/4	1.660	13ga x 7/8	13ga x 7/8	1/4	3/8	2 1/2	3 3/16	1 11/16	7/8	610	0.26	1	87003
CH-G 1 1/2	1 1/2	1.900	12ga x 7/8	12ga x 7/8	1/4	3/8	2 7/8	3 11/16	2 1/16	1 1/16	610	0.34	1	87004
CH-G 2	2	2.375	12ga x 7/8	12ga x 7/8	1/4	3/8	3 5/16	4 7/16	2 1/2	1 1/4	610	0.38	1	87005
CH-G 2 1/2	2 1/2	2.875	9ga x 1 3/16	10ga x 1 3/16	5/16	1/2	4 1/2	5 7/8	3 3/8	1 15/16	1130	0.86	1	87006
CH-G 3	3	3.500	9ga x 1 3/16	10ga x 1 3/16	5/16	1/2	4 3/4	6 1/2	3 11/16	1 3/4	1130	0.96	1	87007
CH-G 3 1/2	3 1/2	4.000	8ga x 1 3/16	10ga x 1 3/16	5/16	1/2	5 7/8	7 15/16	4 13/16	2 9/16	1130	1.14	1	87008
CH-G 4	4	4.500	8ga x 1 3/16	10ga x 1 3/16	3/8	5/8	5 15/16	8 3/16	4 9/16	2 1/8	1430	1.26	1	87009
CH-G 5	5	5.563	4ga x 1 1/4	8ga x 1 1/4	1/2	5/8	5 11/16	8 7/16	4 5/16	1 7/16	1430	2.04	1	87010
CH-G 6	6	6.625	3ga x 1 1/2	8ga x 1 1/2	1/2	3/4	6 13/16	10 1/8	5 3/16	1 3/4	1940	2.80	1	87011
CH-G 7	7	7.625	3ga x 1 1/2	8ga x 1 1/2	1/2	3/4	7 13/16	11 5/8	6 3/16	2	2000	3.24	1	87012
CH-G 8	8	8.625	3ga x 1 3/4	8ga x 1 3/4	5/8	3/4	8 1/16	12 7/16	6 1/4	1 7/8	2000	4.46	1	87013
CH-G 10	10	10.750	3/8 x 1 3/4	3ga x 1 3/4	3/4	7/8	10	15 7/16	8	2 1/4	3600	8.06	1	87014



Type	Ø Pipe		Material size		Dimensions						Max. rec. working load [lbs]	Weight [lbs]	###	Order Code
	Nom. ["]	OD ["]	Top ["]	Bottom ["]	Bolt ["]	A ["]	B ["]	C ["]	E ** ["]	F ["]				
CH-G 12	12	12.750	$\frac{3}{8} \times 2$	3ga x 2	$\frac{3}{4}$	$\frac{7}{8}$	$11 \frac{9}{16}$	18	$9 \frac{9}{16}$	$2 \frac{13}{16}$	3800	10.34	1	87015
CH-G 14	14	14.000	$\frac{1}{2} \times 2 \frac{1}{2}$	$\frac{1}{4} \times 2$	$\frac{7}{8}$	1	$12 \frac{9}{16}$	$19 \frac{9}{16}$	$10 \frac{9}{16}$	$2 \frac{9}{16}$	4200	14.80	1	87016
CH-G 16	16	16.000	$\frac{1}{2} \times 2 \frac{1}{2}$	$\frac{1}{4} \times 2 \frac{1}{2}$	1	1	$13 \frac{15}{16}$	$21 \frac{15}{16}$	$11 \frac{15}{16}$	$2 \frac{13}{16}$	4600	21.00	1	87017
CH-G 18	18	18.000	$\frac{5}{8} \times 3$	$\frac{1}{4} \times 2 \frac{1}{2}$	1	1	16	25	$13 \frac{7}{8}$	$3 \frac{3}{4}$	4800	24.40	1	87018
CH-G 20	20	20.000	$\frac{5}{8} \times 3$	$\frac{3}{8} \times 3$	$1 \frac{1}{4}$	$1 \frac{1}{4}$	$17 \frac{1}{2}$	$27 \frac{1}{2}$	$15 \frac{1}{8}$	$3 \frac{3}{4}$	4800	47.00	1	87019
CH-G 24	24	24.000	$\frac{5}{8} \times 3$	$\frac{3}{8} \times 3$	$1 \frac{1}{4}$	$1 \frac{1}{4}$	$19 \frac{3}{4}$	$31 \frac{3}{4}$	$17 \frac{3}{8}$	4	4800	54.00	1	87020
CH-G 30	30	30.000	$\frac{3}{4} \times 3$	$\frac{3}{8} \times 3$	$1 \frac{1}{4}$	$1 \frac{1}{4}$	$24 \frac{1}{8}$	$39 \frac{1}{8}$	$21 \frac{1}{2}$	$4 \frac{3}{4}$	6000	69.50	1	87021

\* Material 304 and 316 stainless steel and finishes such as plain, painted or hot dip galvanized are available upon request.

\*\* "E" dimension includes exposed rod threads beyond bottom of the hex nut. Exposed rod thread dimension is equal to the diameter of the rod used.

## Technical information:

- Material: Carbon steel
- Finsihed: Electrogalvanize
- Service: Design for the suspension of non insulated, stationary pipelines.
- Approval: U.L. – U.L.C Listed (sizes 2 ½ “ -8”) FM approved (3/4” – 8)
- Complies with: Federal specification WW-H-171-E (Type# 1), A-A-1192 A (Type# 1)  
Manufacturer standardazation Society MSS SP-58 and SP-69 (Type#1)
- Notes: Upper locknut must be tightened securely to assure proper hanger performance. Stainless steel hangers are recommended for application where protection from corrosive environment needed.

# AL QEMMA AL RAEDA FIREFIGHTING & SAFETY EQUIPMENTS TRADING



104, 1st Floor, Dubai Industrial City ,  
Building# 3 P.O. Box 252247, Dubai .  
Tel: +971 (4) 3611 084 M: +971 55 912 2494  
[www.alqemagroup.net](http://www.alqemagroup.net)  
[Enquiry@alqemqgroup.net](mailto:Enquiry@alqemqgroup.net)